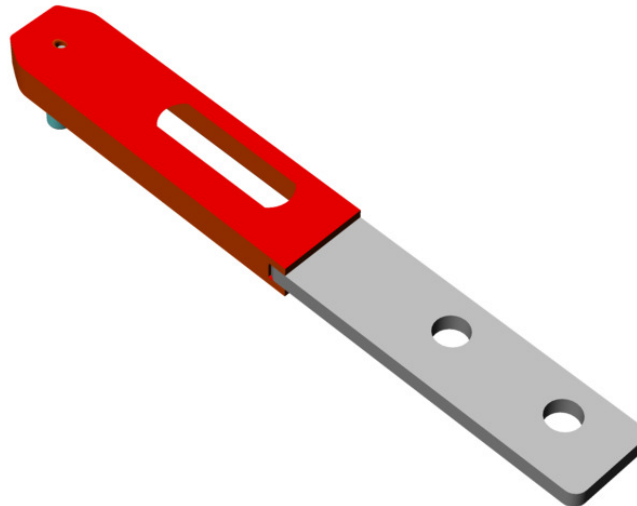


ITEM 072251 BETAETIGER-Z-GN

Description	Technical data	Accessories	Downloads
-------------	----------------	-------------	-----------



Features

- › Two stainless safety screws per actuator

Straight actuator

The straight actuator is used on sliding doors or hinged doors with door radii greater than 1000 mm. Safety screws prevent unscrewing of the actuator. The safety screws included can be inserted with a normal tool, but cannot be removed again.

Actuator with overtravel

16 mm For doors with large play

Mechanical values and environment

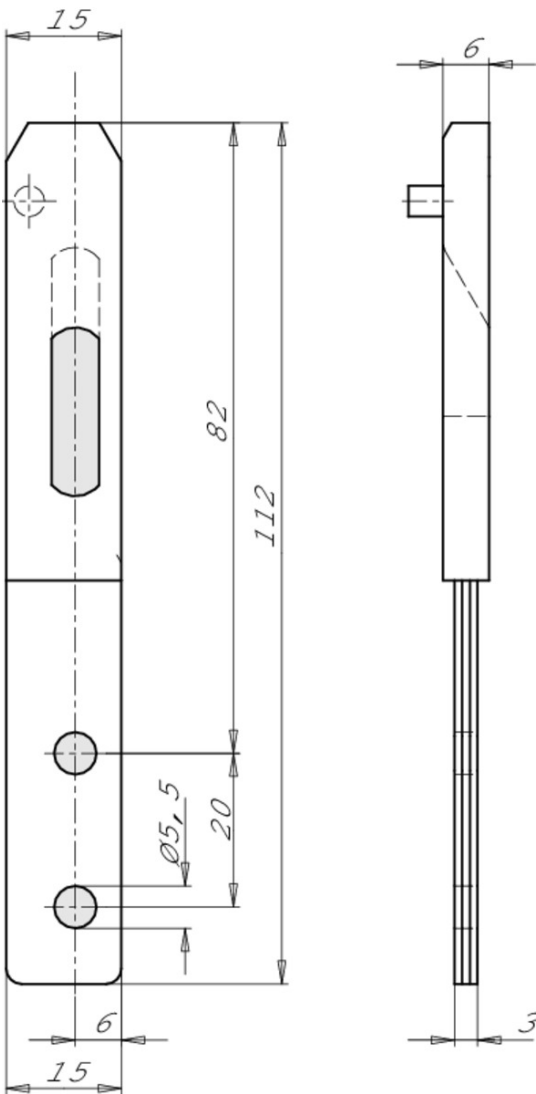
Material	Actuator	Galvanized steel
	screw	Stainless steel

Sheath	Plastic
Door radius	min.1000 mm
Overtravel	max.16 mm

Miscellaneous

Usability of insertion funnel	No
-------------------------------	----

Dimension drawing



CAD data

CAD data for this item on TraceParts