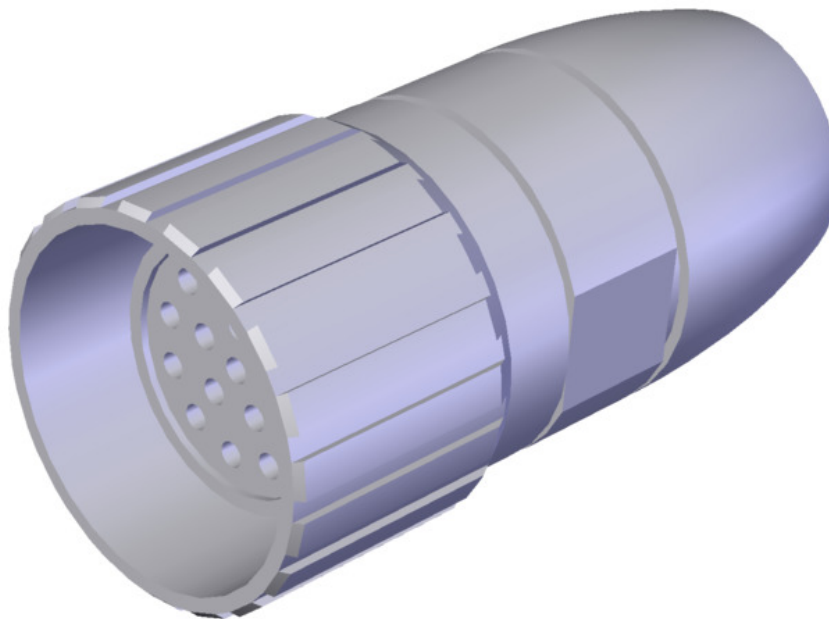


ITEM 073294 RC-12P1N8A8096

Description	Technical data	Accessories	Downloads
-------------	----------------	-------------	-----------



Male plug RC12

For connection, e.g. to enabling switches.

Mechanical values and environment

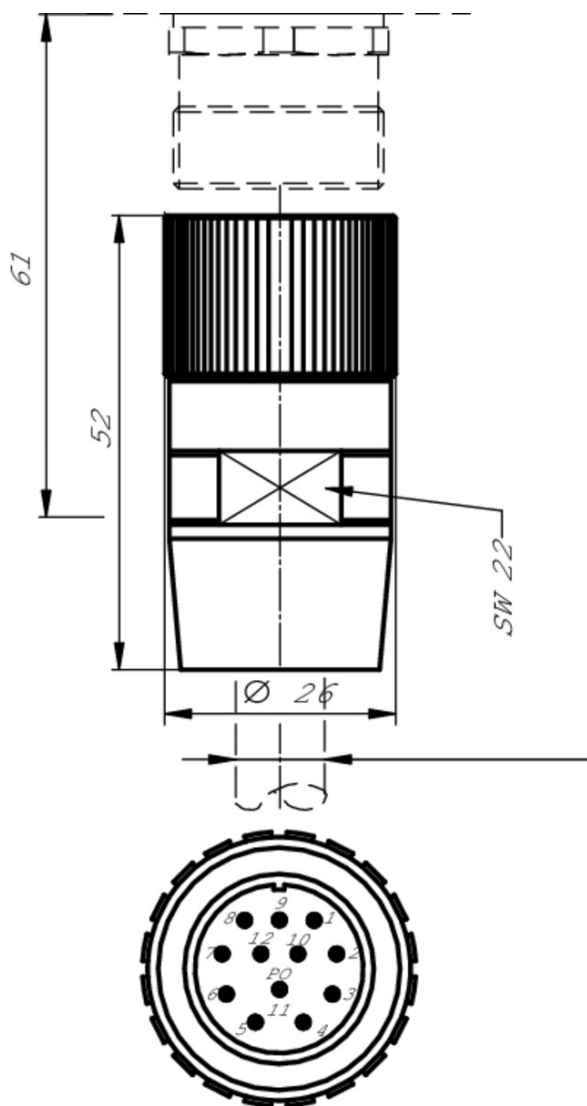
Plug housing material	Metal
Ambient temperature	-20 ... +125 °C
Degree of protection	IP67
Connection	enclosed Crimp contacts
Designation of plug connector	RC12
Plug lock	Screw connection
Number of pins	12
Cable outlet	straight
Cable diameter	max.10 mm

Electrical connection ratings

Rated current I	8000 mA [1]
Rated voltage	150 V
Connection cross-section	0,14 ... 0,56 mm ²
Screen connection	Via housing connection

[1] Per contact at 25°C

Dimension drawing



Catalogs

- ▼
 Sicherheitsschalter mit Metallgehäuse Safety Switches with Metal Housing Bezpečnostní spínače s kovovým pouzdrém Interrupteurs de sécurité avec boîtier métallique 金属壳体 的安全开关 Interruptores de seguridad con carcasa metálica

Sicherheitsschalter mit Metallgehäuse	100319	11-03/18		 7.9 MB
Interrupteurs de sécurité avec boîtier métallique	100676	11-03/18		 7.9 MB
Interruptores de seguridad con carcasa metálica	104856	11-03/18		 14.0 MB
Safety Switches with Metal Housing	100369	11-03/18		 7.9 MB
Bezpečnostní spínače s kovovým pouzdem	121650	11-03/18		 7.9 MB
金属壳体 的安全开关	102453	11-03/18		 8.2 MB

 Enabling switches ZS Commandes d'Assentiment ZS Zustimmungstaster ZS

	Doc. no.	Version	Language	Download
Zustimmungstaster ZS	095689	08-07/18		 9.1 MB
Commandes d'Assentiment ZS	097367	08-07/18		 4.9 MB
Enabling switches ZS	095690	08-07/18		 4.9 MB

CAD data

CAD data for this item on TraceParts