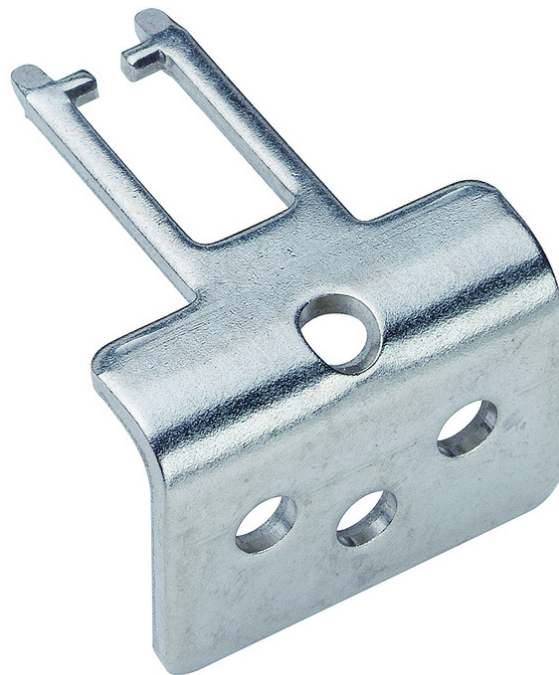


ITEM 074077 BETAETIGER-M-W

| Description | Technical data | Accessories | Downloads |
|-------------|----------------|-------------|-----------|
|-------------|----------------|-------------|-----------|



Features

- › Actuators made of stainless steel
- › Two stainless safety screws per actuator

Bent actuator

The angled actuator is used on sliding doors or hinged doors with door radii greater than 150 mm. Safety screws prevent unscrewing of the actuator.

Screws made of stainless steel

The safety screws included can be inserted with a normal tool, but cannot be removed again.

Mechanical values and environment

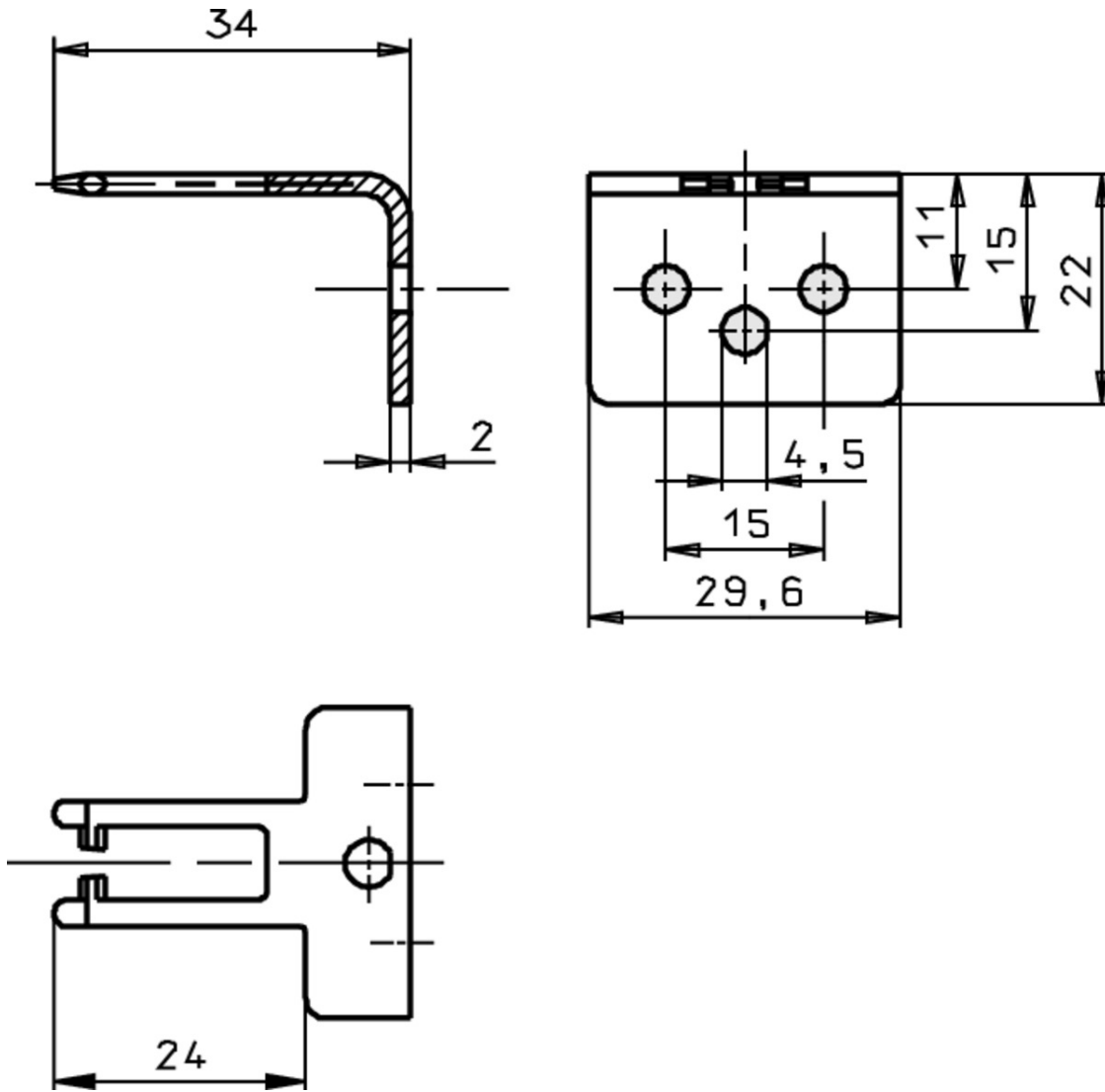
| | | |
|----------|----------|-----------------|
| Material | | |
| | Actuator | Stainless steel |
| | screw | Stainless steel |

| | |
|-------------|------------|
| Door radius | min.150 mm |
| Overtravel | max.4 mm |

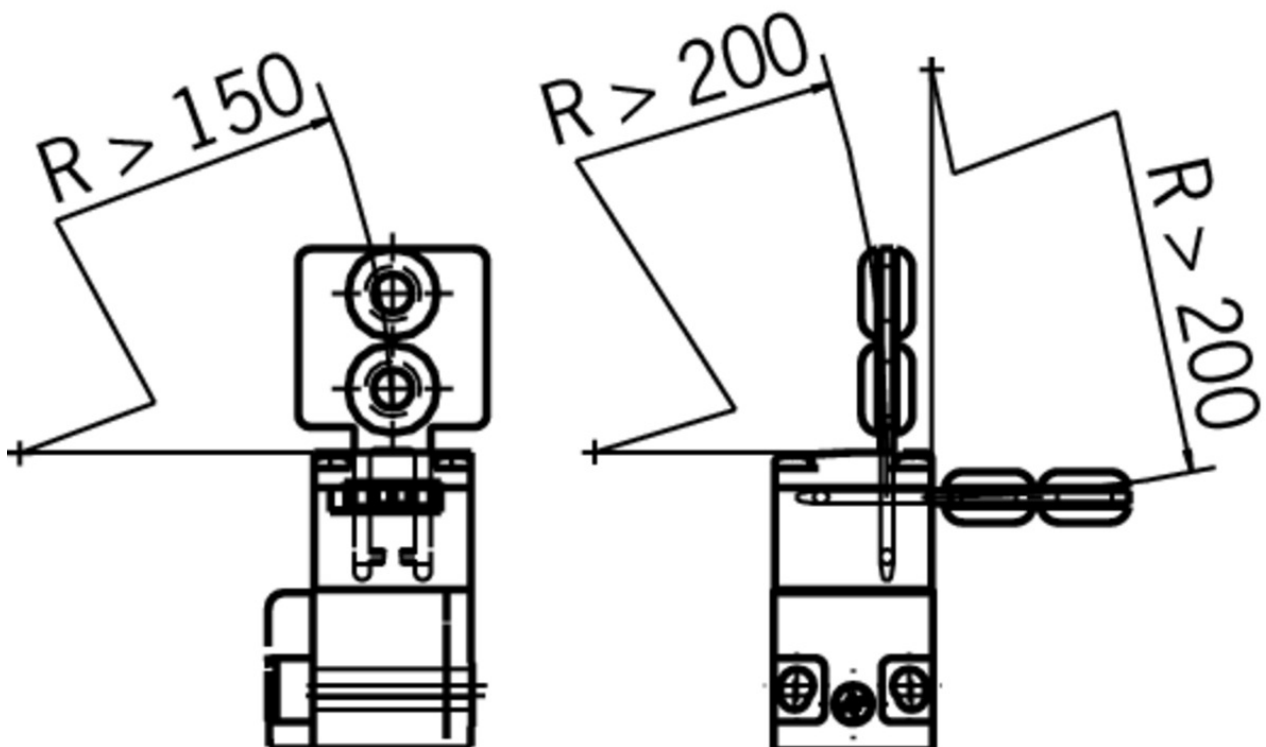
Miscellaneous

| | |
|-------------------------------|-----|
| Usability of insertion funnel | Yes |
|-------------------------------|-----|

Dimension drawing



Dimension drawing



Catalogs

- Bezpečnostní spínače s plastovým pouzdem
 Sicherheitsschalter mit Kunststoffgehäuse
 Safety Switches with Plastic Housing
 Interruptores de seguridad con carcasa plástica
 Interrupteurs de sécurité avec boîtier plastique
 塑料壳体 的安全开关

| | Doc. no. | Version | Language | Download |
|--|----------|----------|----------|----------|
| Sicherheitsschalter mit Kunststoffgehäuse | 096955 | 11-03/18 | | 6.6 MB |
| Interrupteurs de sécurité avec boîtier plastique | 100677 | 11-03/18 | | 6.6 MB |
| Interruptores de seguridad con carcasa plástica | 104855 | 11-03/18 | | 6.6 MB |
| Bezpečnostní spínače s plastovým pouzdem | 121649 | 11-03/18 | | 6.6 MB |
| Safety Switches with Plastic Housing | 096956 | 11-03/18 | | 6.6 MB |
| 塑料壳体 的安全开关 | 116243 | 11-03/18 | | 6.2 MB |

CAD data

CAD data for this item on TraceParts