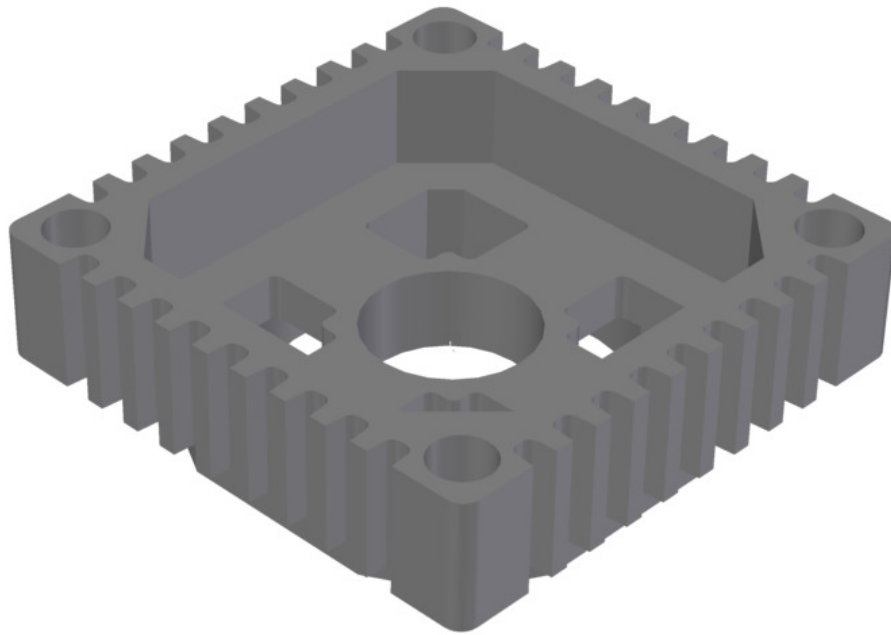


## ITEM 074578 ADAPTER NP-K

Description	Technical data	Accessories	Downloads
-------------	----------------	-------------	-----------



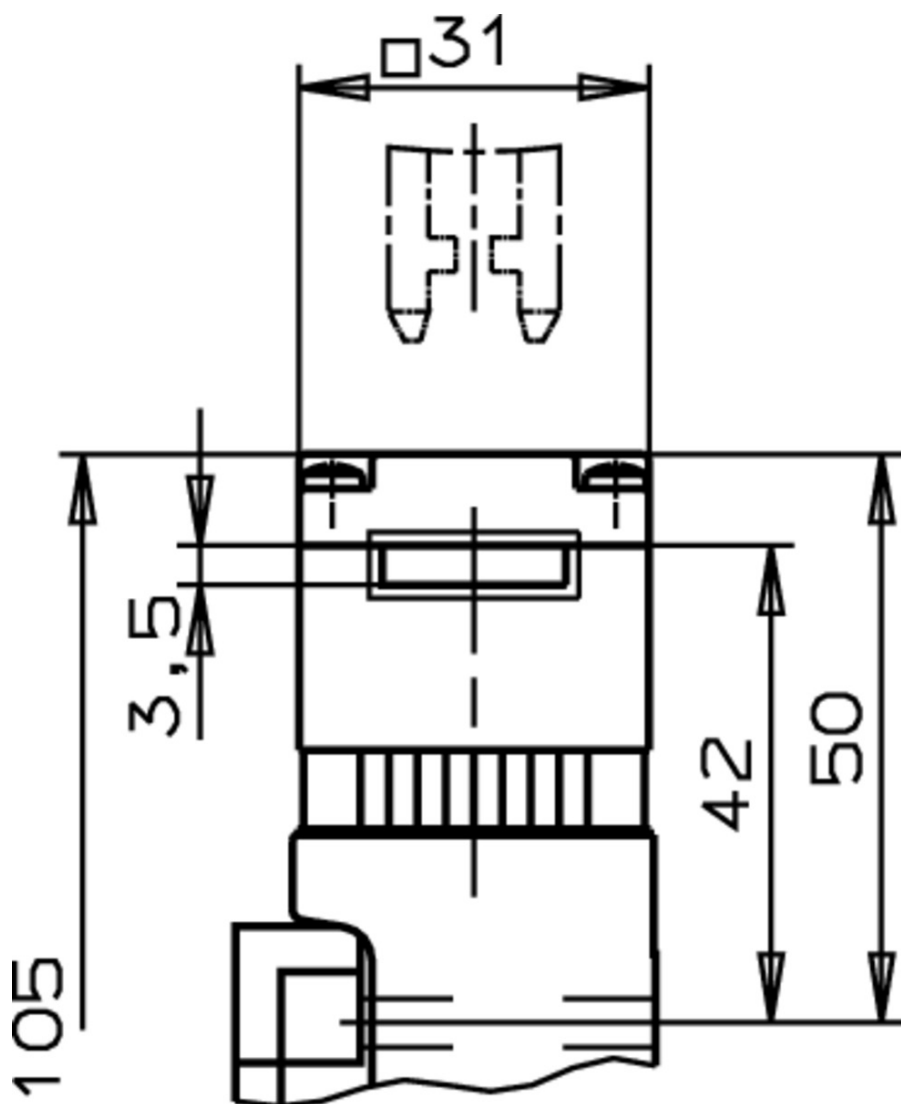
The adapter NP-K is used for top entry overtravel applications for the NP series.

- › The adapter cannot be used for safety switches of the GP/TP series
- › 4 screws 3 x 38 (not safety screws) are included

### Mechanical values and environment

Material		
	Extension	Stainless steel
	Spacer	Plastic
	Screws	Stainless steel

## Dimension drawing



## Catalogs

- ✓ Bezpečnostní spínače s plastovým pouzdrém Sicherheitsschalter mit Kunststoffgehäuse Safety Switches with Plastic Housing Interruptores de seguridad con carcasa plástica Interrupteurs de sécurité avec boîtier plastique 塑料壳体 的安全开关

	Doc. no.	Version	Language	Download
Sicherheitsschalter mit Kunststoffgehäuse	096955	11-03/18		6.6 MB
Interrupteurs de sécurité avec boîtier plastique	100677	11-03/18		6.6 MB
Interruptores de seguridad con carcasa plástica	104855	11-03/18		6.6 MB
Bezpečnostní spínače s plastovým pouzdrém	121649	11-03/18		6.6 MB
Safety Switches with Plastic Housing	096956	11-03/18		6.6 MB
塑料壳体 的安全开关	116243	11-03/18		6.2 MB

## CAD data

CAD data for this item on TraceParts