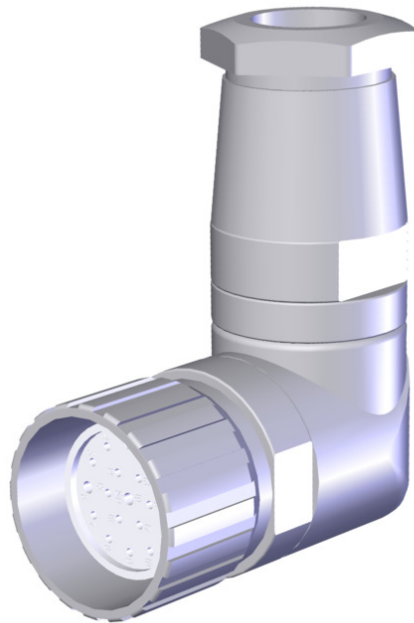


ITEM 077026 RC18WF-C1825

Description	Technical data	Accessories	Downloads
-------------	----------------	-------------	-----------



Features

- › Plug connector M23, angled
- › Number of pins: 19-pin with screen bonding clamp

Option C1825

With 16 crimp pins for conductor cross-section 0.25 - 0.5 mm² and 3 pins for conductor cross-section 0.75 - 1.0 mm².

Angled plug connector

On plug connectors without cables the direction of the cable exit can be adjusted.

Mechanical values and environment

Housing material	brass, nickel-plated
Ambient temperature	-20 ... 125 °C
Degree of protection	IP65 [1]

Contact material	Brass, nickel and gold-plated
Connection type	Socket
Connection	Plug connector M23
Plug lock	Screw terminal
Number of pins	19 [2]
Cable outlet	Angle
Cable diameter	10 ... 14 mm

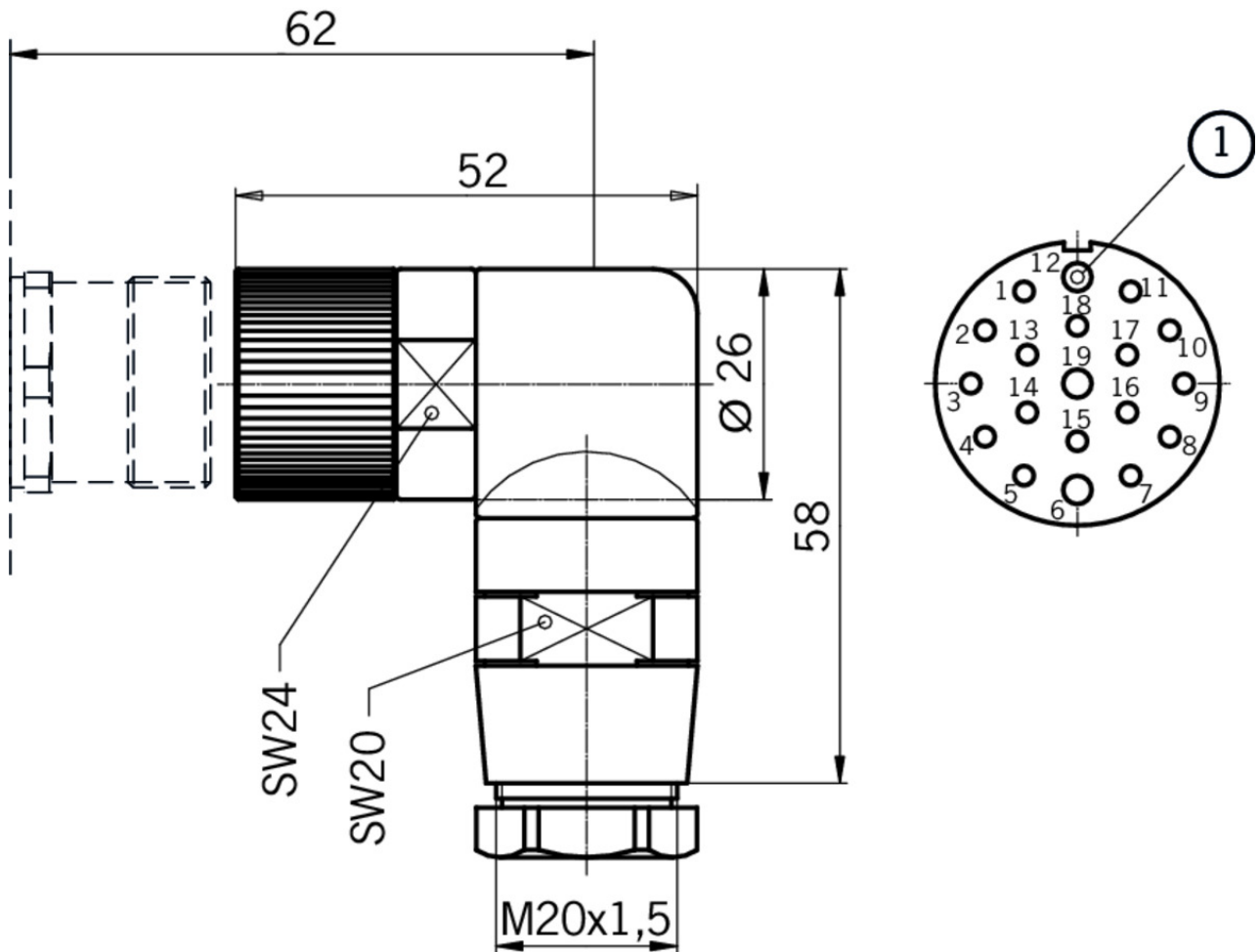
Electrical connection ratings

Nominal current	8 A
Rated voltage	150 V
Rated impulse withstand voltage U_{imp}	1,5 kV
Connection cross-section	16 x 0.25-0.5 mm ² / 3 x 0.75-1.0 mm ²
Screen connection	Crimp contact for connecting the screen bonding clamp

[1] In the inserted and locked state

[2] 18+PE

Dimension drawing



Legende

1 With screen bonding clamp

Connection material

Replacement crimp contacts for female connector RC18 with option C1825

094310 CRIMPKONTAKT BUCHSE RCF-C1825

Features

- › 19 crimp sockets
- › Conductor cross-section 16 x 0.25 - 0.5 mm² and 3 x 0.75 - 1 mm²
- › For plug connector RC18..C1825

Catalogs

- Transpondercodierte Sicherheitsschalter - Verriegelungseinrichtungen und Zuhaltungen
 Transponder-coded safety switches - Interlocking devices and guard locking devices
 Interruptores de seguridad con codificación por transponder - Dispositivos de enclavamiento y bloqueos
 Interrupteurs de sécurité à codage par transpondeur - Dispositifs de verrouillage et interverrouillages

	Doc. no.	Version	Language	Download
Transpondercodierte Sicherheitsschalter - Verriegelungseinrichtungen und Zuhaltungen	127594	02-01/18		5.2 MB
Interrupteurs de sécurité à codage par transpondeur - Dispositifs de verrouillage et interverrouillages	137558	02-01/18		5.2 MB
Interruptores de seguridad con codificación por transponder - Dispositivos de enclavamiento y bloqueos	137560	02-01/18		5.2 MB
Transponder-coded safety switches - Interlocking devices and guard locking devices	127595	02-01/18		5.1 MB

- Bezpečnostní spínače s plastovým pouzdrém Sicherheitsschalter mit Kunststoffgehäuse Safety Switches with Plastic Housing Interruptores de seguridad con carcasa plástica Interrupteurs de sécurité avec boîtier plastique 塑料壳体的安全开关

	Doc. no.	Version	Language	Download
Sicherheitsschalter mit Kunststoffgehäuse	096955	11-03/18		6.6 MB
Interrupteurs de sécurité avec boîtier plastique	100677	11-03/18		6.6 MB
Interruptores de seguridad con carcasa plástica	104855	11-03/18		6.6 MB
Bezpečnostní spínače s plastovým pouzdrém	121649	11-03/18		6.6 MB
Safety Switches with Plastic Housing	096956	11-03/18		6.6 MB
塑料壳体的安全开关	116243	11-03/18		6.2 MB

- Sicherheitsschalter mit Metallgehäuse Safety Switches with Metal Housing Bezpečnostní spínače s kovovým pouzdrém Interrupteurs de sécurité avec boîtier métallique 金属壳体的安全开关 Interruptores de seguridad con carcasa metálica

	Doc. no.	Version	Language	Download
Sicherheitsschalter mit Metallgehäuse	100319	11-03/18		7.9 MB
Interrupteurs de sécurité avec boîtier métallique	100676	11-03/18		7.9 MB
Interruptores de seguridad con carcasa metálica	104856	11-03/18		14.0 MB
Safety Switches with Metal Housing	100369	11-03/18		7.9 MB
Bezpečnostní spínače s kovovým pouzdrém	121650	11-03/18		7.9 MB
金属壳体的安全开关	102453	11-03/18		8.2 MB

CAD data

CAD data for this item on TraceParts