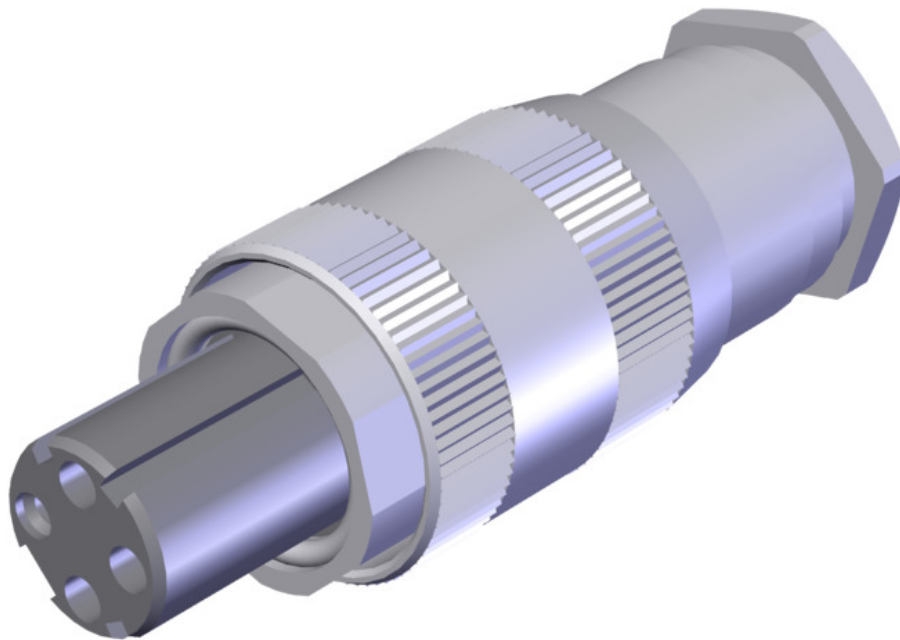


ITEM 077435 BS4C1851

Description	Technical data	Accessories	Downloads
-------------	----------------	-------------	-----------



Features

- › Plug connector for extending the connection cable
- › For read heads CES-A-L.../CEM-A-L...

Using EUCHNER couplings / plug connectors, the user can cut the read head cable to size on site at any point and connect the couplings / plug connectors.

Notice

The connection cable for the read head can only be extended using these self-assembly couplings / plug connectors under the following conditions:

- › The total maximum cable length is 25 m, taking into account the switch-on distance
- › The cable specified by EUCHNER must be used for the extension (screened, strand cross-section $2 \times 0.25 \text{ mm}^2$)
- › The plug connector housing must be electrically isolated from the machine ground

Mechanical values and environment

Housing material	Brass, matt chromium plated
Ambient temperature	-20 ... 80 °C
Degree of protection	IP65 [1]
Contact material	Brass, nickel-plated, 1µm hard gold-plated
Number of pins	3 + PE
Clamping range for cable	4 ... 6 mm

Electrical connection ratings

Nominal current	6 A
Rated voltage	250 V
Rated impulse withstand voltage U_{imp}	4 kV
Connection cross-section	max.1 mm ² [2]
Contact resistance	5 mΩ

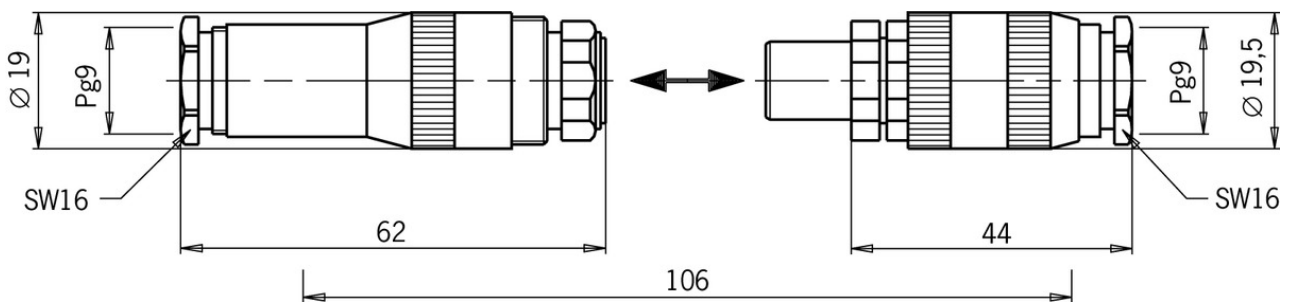
Miscellaneous

C number	C1851	Earthing for screened cable
----------	-------	-----------------------------

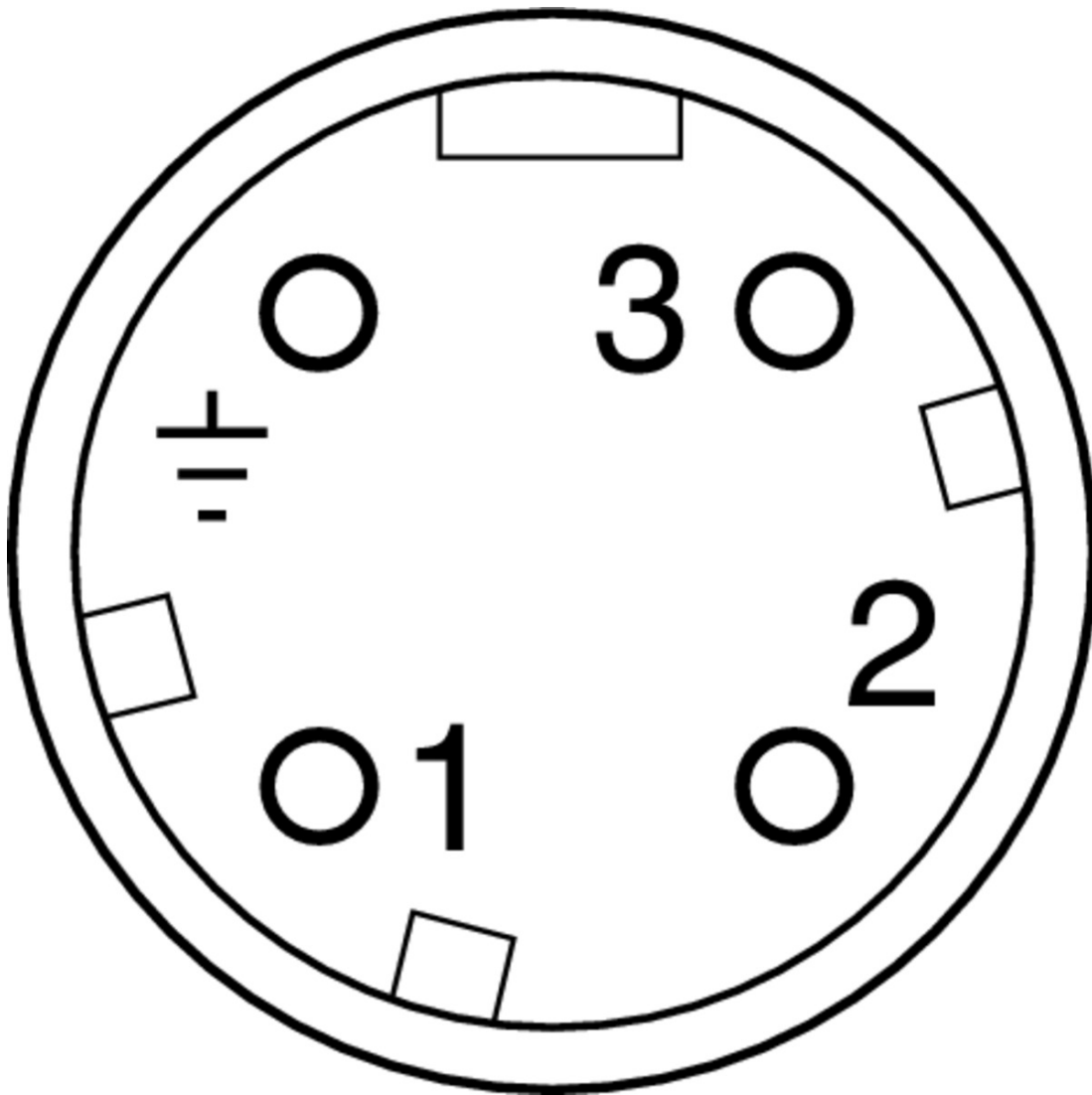
[1] In the inserted and locked state

[2] Soldered connection

Dimension drawing









Dimension drawing



Instructions

- Betriebsanleitung Steckverbinder

	Doc. no.	Version	Language	Download
Betriebsanleitung Steckverbinder Mode d'emploi des connecteurs à fiches	053500	03-08/02	 	 0.1 MB
Istruzioni di impiego per connettori a spina Operating Instructions Connectors	053500	03-08/02	 	 0.1 MB

Catalogs

- Transpondercodierte Sicherheitssysteme mit externer Auswertung Transponder-coded safety systems with external evaluation Sistemas de seguridad con codificación por transponder y evaluación externa Systèmes de sécurité à codage par transpondeur avec analyse externe

Doc. no. Version Language Download

Transpondercodierte Sicherheitssysteme mit externer Auswertung	127596	02-01/18		 3.1 MB
Systèmes de sécurité à codage par transpondeur avec analyse externe	137968	02-01/18		 3.0 MB
Sistemas de seguridad con codificación por transponder y evaluación externa	139969	02-01/18		 3.0 MB
Transponder-coded safety systems with external evaluation	127597	02-01/18		 3.0 MB

CAD data

CAD data for this item on TraceParts