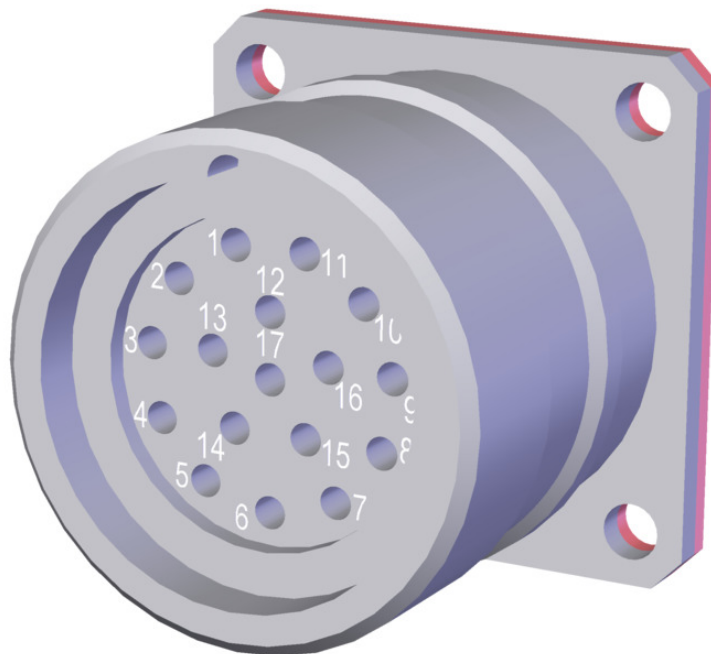


ITEM 077502 17POL/CONINVERS N-COD

| Description | Technical data | Accessories | Downloads |
|-------------|----------------|-------------|-----------|
|-------------|----------------|-------------|-----------|



Female flange connector RC17

For front panel mounting for connection of enabling switches. Rubber seal included. Fitted with soldered contacts.

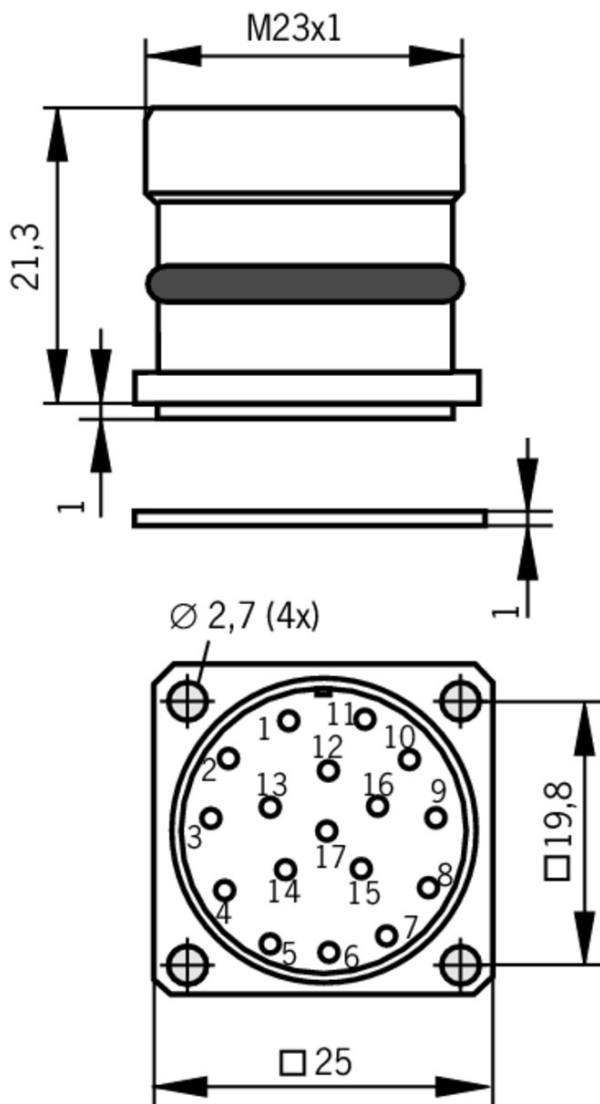
Mechanical values and environment

| | |
|-------------------------------|------------------------|
| Plug housing material | Metal |
| Ambient temperature | -20 ... +125 °C |
| Degree of protection | IP67 |
| Connection type | Socket |
| Connection | Soldered connection |
| Designation of plug connector | RC17 |
| Plug lock | M23x1 Screw connection |
| Number of pins | 17 |
| Cable outlet | not available |
| Cable diameter | not available |

Electrical connection ratings

| | |
|--------------------------|------------------------|
| Rated current I | 8000 mA |
| Rated voltage | 150 V |
| Connection cross-section | 1,00 mm ² |
| Screen connection | Via housing connection |

Dimension drawing



Catalogs

Enabling switches ZS Commandes d'Assentiment ZS Zustimmungstaster ZS

| | Doc. no. | Version | Language | Download |
|----------------------------|----------|----------|----------|----------|
| Zustimmungstaster ZS | 095689 | 08-07/18 | | 9.1 MB |
| Commandes d'Assentiment ZS | 097367 | 08-07/18 | | 4.9 MB |
| Enabling switches ZS | 095690 | 08-07/18 | | 4.9 MB |

CAD data

CAD data for this item on TraceParts