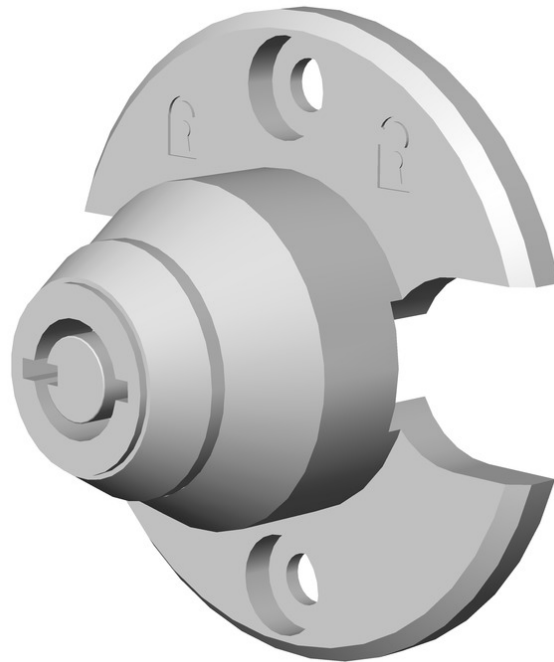


ITEM 079795 SCHLOSS TX GLEICHSCHLIESSEND

Description	Technical data	Accessories	Downloads
-------------	----------------	-------------	-----------



The lock is used in combination with safety switch TX. The mechanical key release enables authorized personnel to actuate the mechanical release using the related key. The unlocking mechanism holds the solenoid in the "unlocked" position. Two screws are used to fix the lock to the cover of the safety switch TX (above the mechanical release).

- › Please order safety switch TX separately
- › 2 keys are included
- › Every safety switch of series TX can be upgraded to include a lock

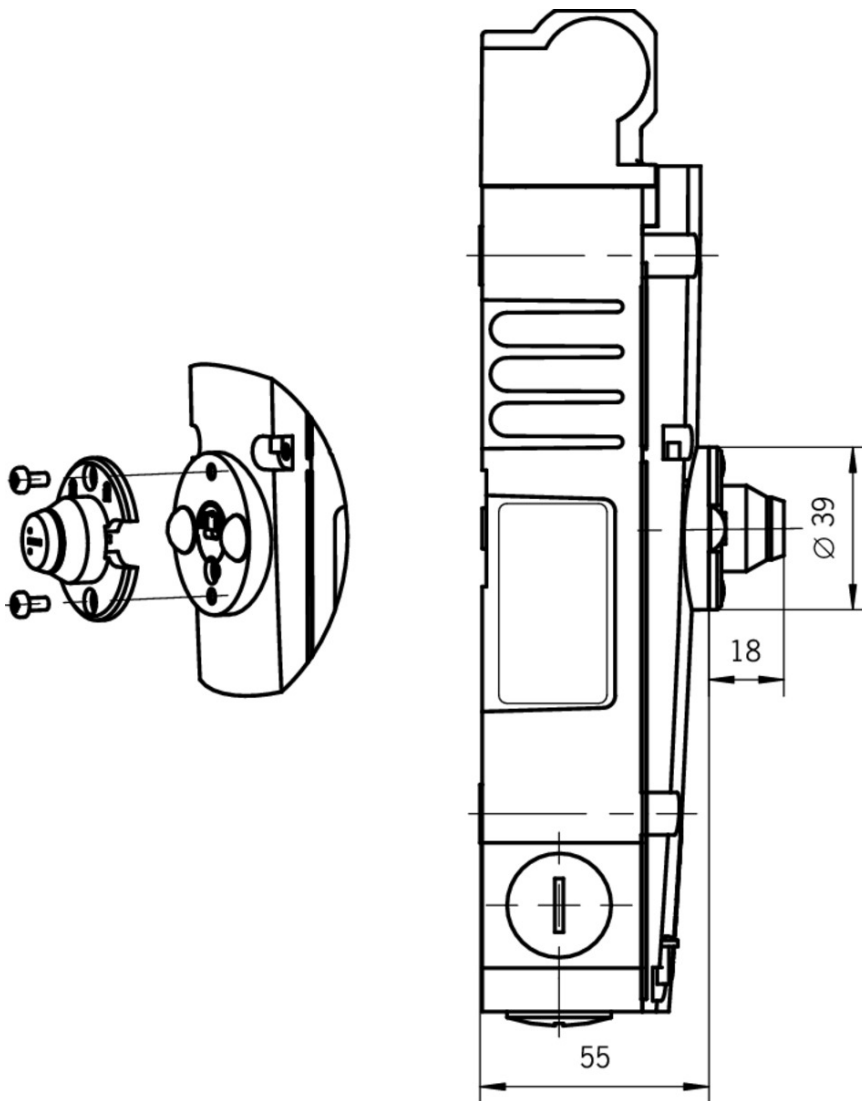
Mechanical values and environment

Material	Plastic [1]
Removal position	two [2]
Closing type	Identical locking

[1] Lock: Metal

[2] 0° and 180°

Dimension drawing



Spare parts

- Replacement key for mechanical key release



099434 ERSATZSCHLUESSEL GLEICHSCHL.0354

Catalogs

- Sicherheitsschalter mit Metallgehäuse Safety Switches with Metal Housing Bezpečnostní spínače s kovovým pouzdrém Interrupteurs de sécurité avec boîtier métallique 金属壳体的安全开关 Interruptores de seguridad con carcasa metálica

	Doc. no.	Version	Language	Download
Sicherheitsschalter mit Metallgehäuse	100319	11-03/18		7.9 MB
Interrupteurs de sécurité avec boîtier métallique	100676	11-03/18		7.9 MB

Interruptores de seguridad con carcasa metálica	104856	11-03/18		 14.0 MB
Safety Switches with Metal Housing	100369	11-03/18		 7.9 MB
Bezpečnostní spínače s kovovým pouzdem	121650	11-03/18		 7.9 MB
金属壳体 的安全开关	102453	11-03/18		 8.2 MB

CAD data

CAD data for this item on TraceParts