

ITEM 091305 SPERREINSATZ MIT KETTE

Description	Technical data	Accessories	Downloads
-------------	----------------	-------------	-----------



Features

- › Prevents unintentional closing of the door
- › Can be secured with padlocks

With the safety door open, it can be slid into the actuating head on a switch with separate actuator (NZ.VZ/TZ) instead of an actuator. Removal can be prevented using a commercially available padlock. For the protection of people in areas with a possible hazard.

Cannot be used in combination with the protective plate.

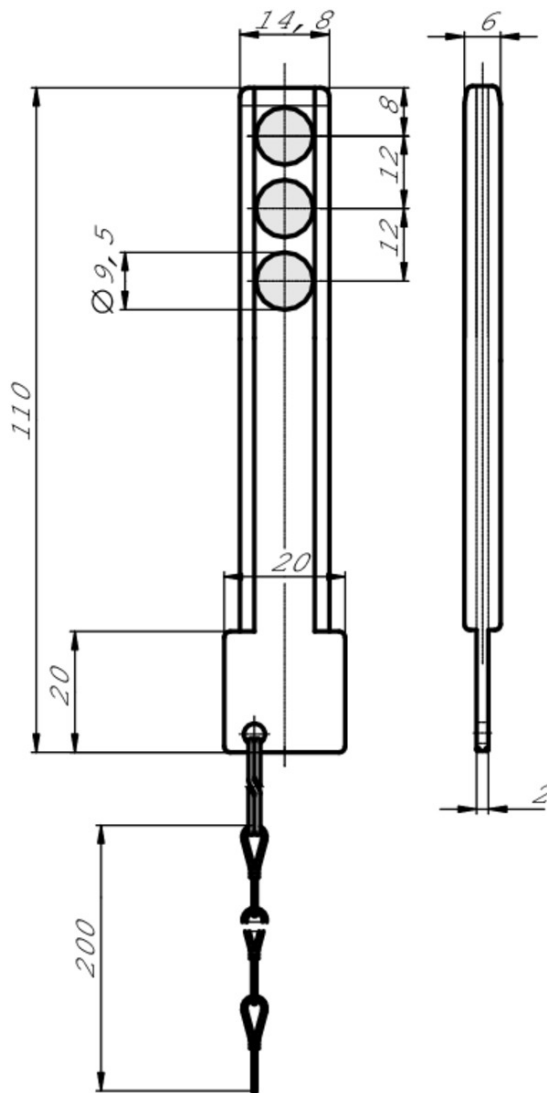
Mechanical values and environment

Material	Aluminum
Pin diameter	0 ... 9,5 mm
Number of holes	3

Miscellaneous

Additional feature	with chain
--------------------	------------

Dimension drawing



Catalogs

- ▼
 Sicherheitsschalter mit Metallgehäuse Safety Switches with Metal Housing Bezpečnostní spínače s kovovým pouzdrém Interrupteurs de sécurité avec boîtier métallique 金属壳体的安全开关 Interruptores de seguridad con carcasa metálica

	Doc. no.	Version	Language	Download
Sicherheitsschalter mit Metallgehäuse	100319	11-03/18		7.9 MB
Interrupteurs de sécurité avec boîtier métallique	100676	11-03/18		7.9 MB
Interruptores de seguridad con carcasa metálica	104856	11-03/18		14.0 MB
Safety Switches with Metal Housing	100369	11-03/18		7.9 MB
Bezpečnostní spínače s kovovým pouzdrém	121650	11-03/18		7.9 MB
金属壳体的安全开关	102453	11-03/18		8.2 MB

CAD data

CAD data for this item on TraceParts