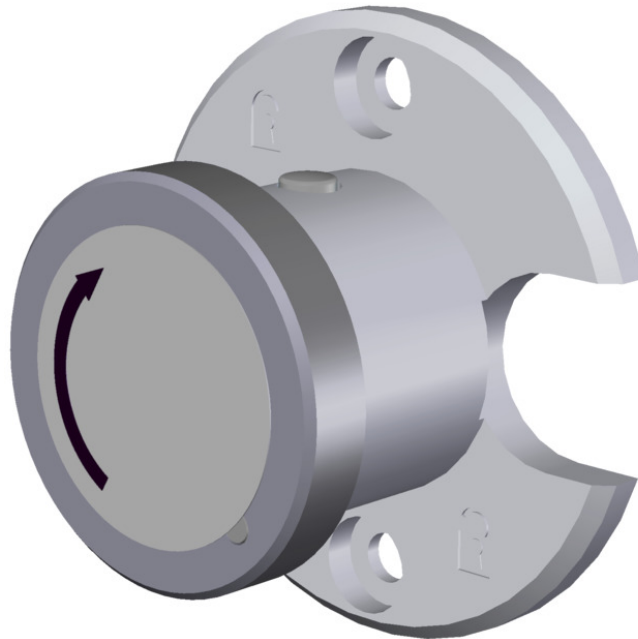


## ITEM 094771 NOTENTSPERRUNG TX

Description	Technical data	Accessories	Downloads
-------------	----------------	-------------	-----------



Is used for the manual release of the guard locking without tools. The emergency unlocking mechanism must be returned to the locked state manually. Sealing can be fitted to protect against tampering.

**Attention:** Prior to mounting, the locking screw for the mechanical release must be removed.

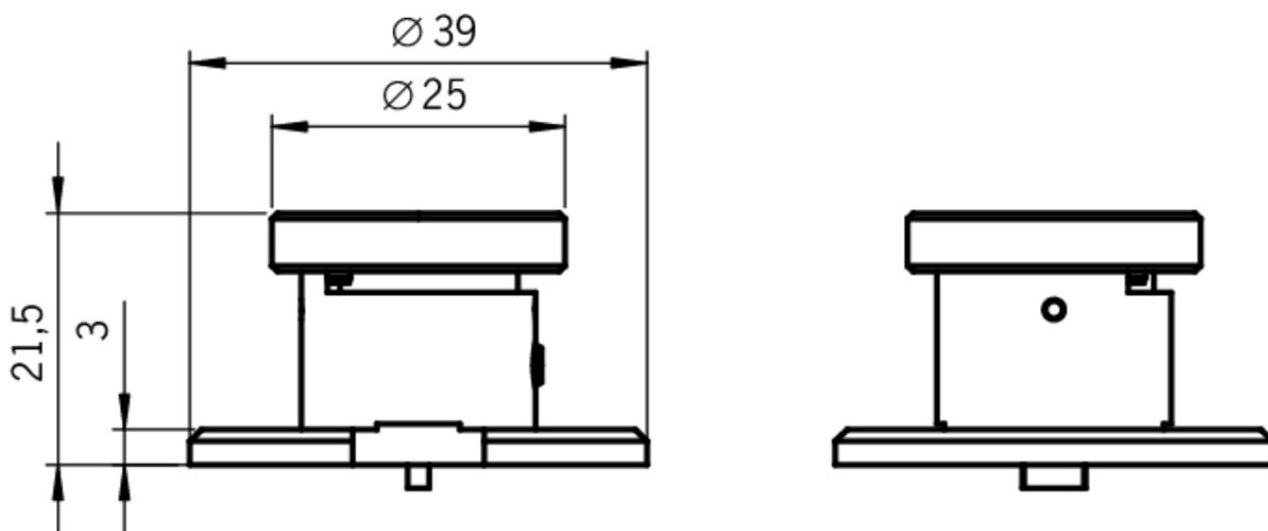
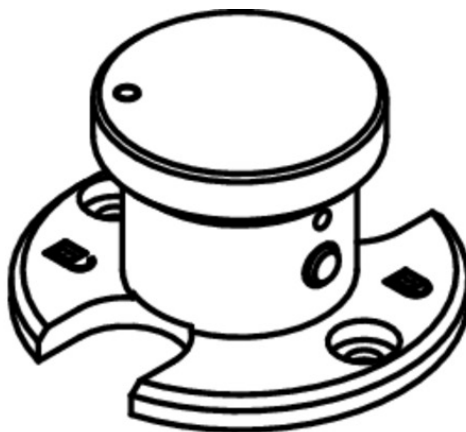
### Mechanical values and environment

Material	Aluminum
----------	----------

### Miscellaneous

Detent mechanism	Yes
------------------	-----

## Dimension drawing







## Spare parts

- Lead seal kit

**087256** PLOMBENSATZ C1937

## Catalogs

- Sicherheitsschalter mit Metallgehäuse Safety Switches with Metal Housing Bezpečnostní spínače s kovovým pouzdem Interrupteurs de sécurité avec boîtier métallique 金属壳体 的安全开关 Interruptores de seguridad con carcasa metálica

	Doc. no.	Version	Language	Download
Sicherheitsschalter mit Metallgehäuse	100319	11-03/18		 7.9 MB
Interrupteurs de sécurité avec boîtier métallique	100676	11-03/18		 7.9 MB

Interruptores de seguridad con carcasa metálica	104856	11-03/18		 14.0 MB
Safety Switches with Metal Housing	100369	11-03/18		 7.9 MB
Bezpečnostní spínače s kovovým pouzdem	121650	11-03/18		 7.9 MB
金属壳体 的安全开关	102453	11-03/18		 8.2 MB

### **CAD data**

CAD data for this item on TraceParts