

## ITEM 096159 BLINDSTECKER 17-POL RC-17P1N8A83NN

Description	Technical data	Accessories	Downloads
-------------	----------------	-------------	-----------



### Dummy plug RC17

For covering the flange connector RC17. Optionally, individual contacts can be bridged at the customer.

### Mechanical values and environment

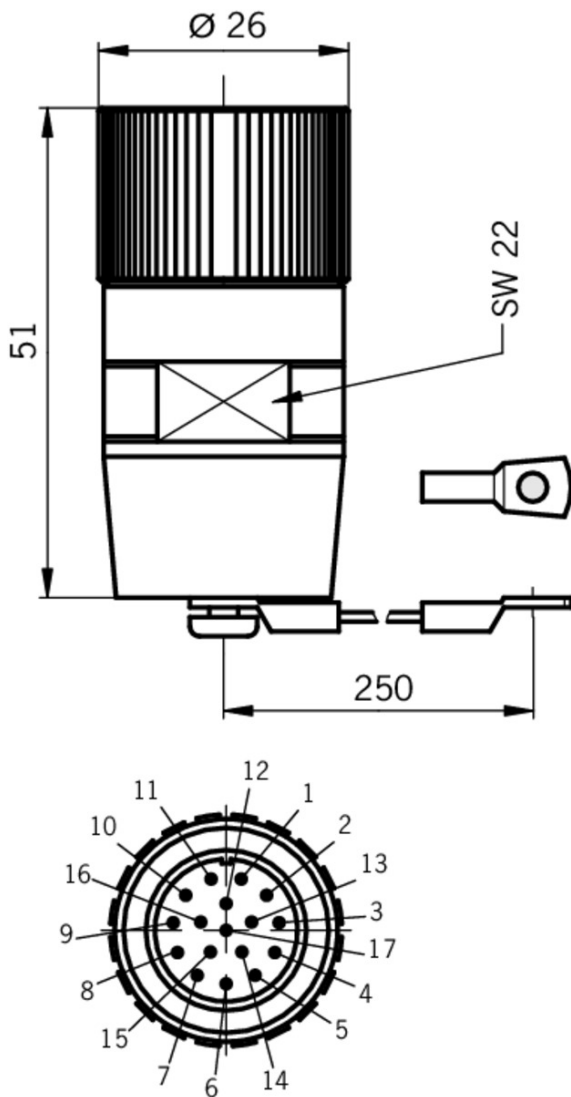
Plug lock material	Metal
Ambient temperature	-20 ... +125 °C
Degree of protection	IP67
Connection type	Plug
Connection	
enclosed	Crimp contacts
Designation of plug connector	RC17
Plug lock	M23x1 Screw connection
Number of pins	17
Cable outlet	not available
Cable diameter	not available

## Electrical connection ratings

Rated current I	8000 mA [1]
Rated voltage	150 V
Connection cross-section	0,14 ... 0,56 mm <sup>2</sup>
Screen connection	Via housing connection

[1] Per contact at 25°C

## Dimension drawing



## Catalogs

✓ Enabling switches ZS Commandes d'Assentiment ZS Zustimmungstaster ZS

Zustimmtaster ZS	095689	08-07/18		 9.1 MB
Commandes d'Assentiment ZS	097367	08-07/18		 4.9 MB
Enabling switches ZS	095690	08-07/18		 4.9 MB

### **CAD data**

CAD data for this item on TraceParts