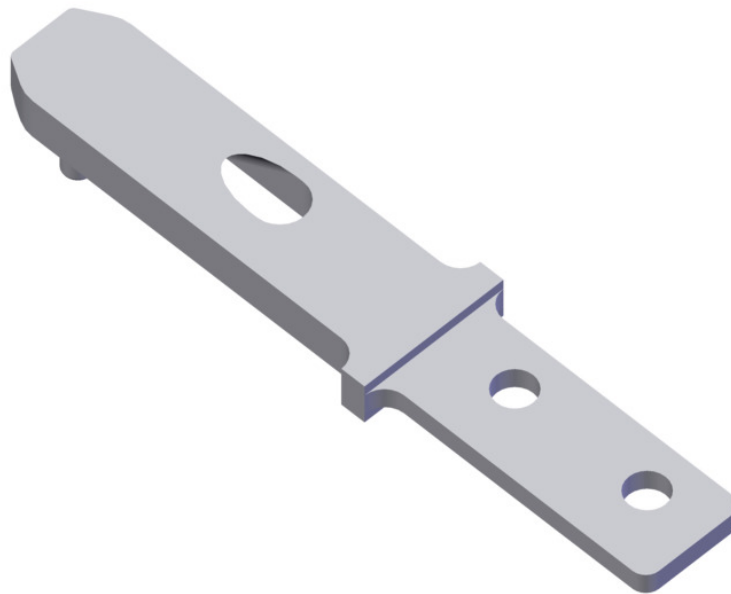


ITEM 097436 BETAETIGER-Z-GME

| Description | Technical data | Accessories | Downloads |
|-------------|----------------|-------------|-----------|
|-------------|----------------|-------------|-----------|



Features

- › Made of solid stainless steel
- › Two stainless safety screws per actuator

Straight actuator

The straight actuator is used on sliding doors or hinged doors with door radii greater than 1000 mm. Safety screws prevent unscrewing of the actuator. The safety screws included can be inserted with a normal tool, but cannot be removed again.

Actuator with overtravel

4 mm for doors with normal play

Mechanical values and environment

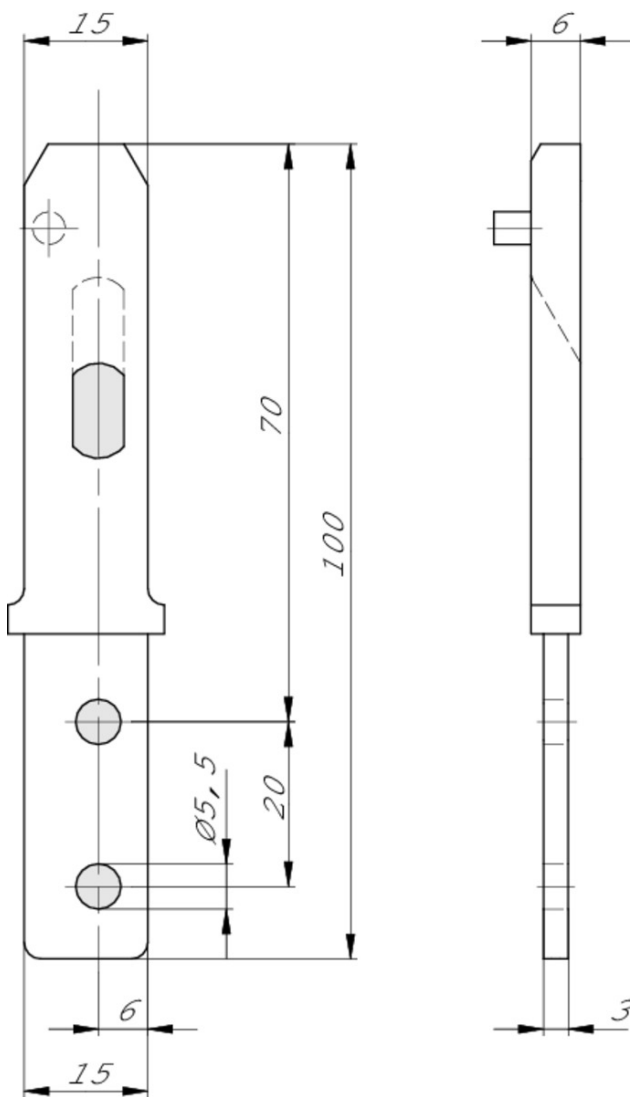
| | | |
|----------|----------|-----------------|
| Material | Actuator | Stainless steel |
|----------|----------|-----------------|

| | | |
|-------------|-------|-----------------|
| | screw | Stainless steel |
| Door radius | | min.1000 mm |
| Overtravel | | max.4 mm |

Miscellaneous

| | |
|-------------------------------|----|
| Usability of insertion funnel | No |
|-------------------------------|----|

Dimension drawing



CAD data

CAD data for this item on TraceParts