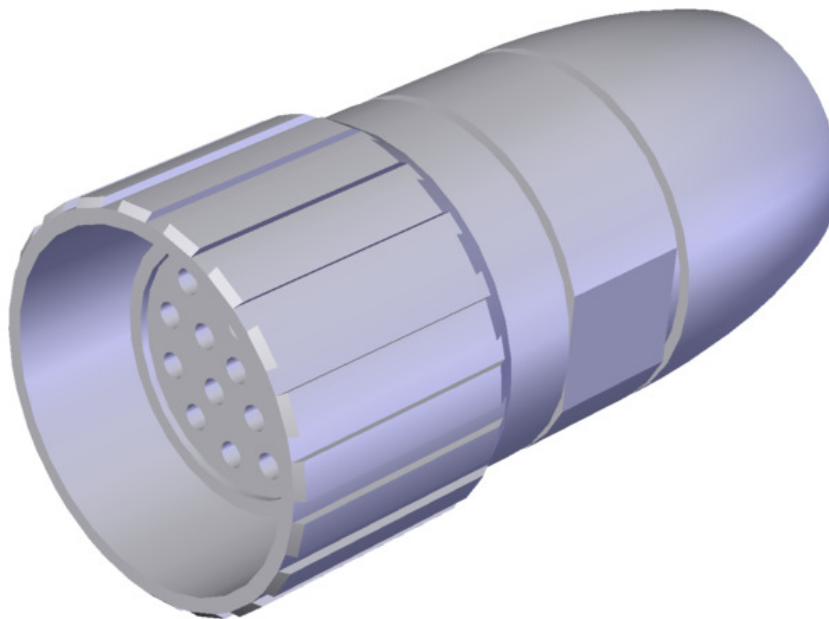


ITEM 096481 STECKVERBINDER 17POL RC-17P1N8A80CP

Description	Technical data	Accessories	Downloads
-------------	----------------	-------------	-----------



Male plug RC17

For connection, e.g. to enabling switches.

Mechanical values and environment

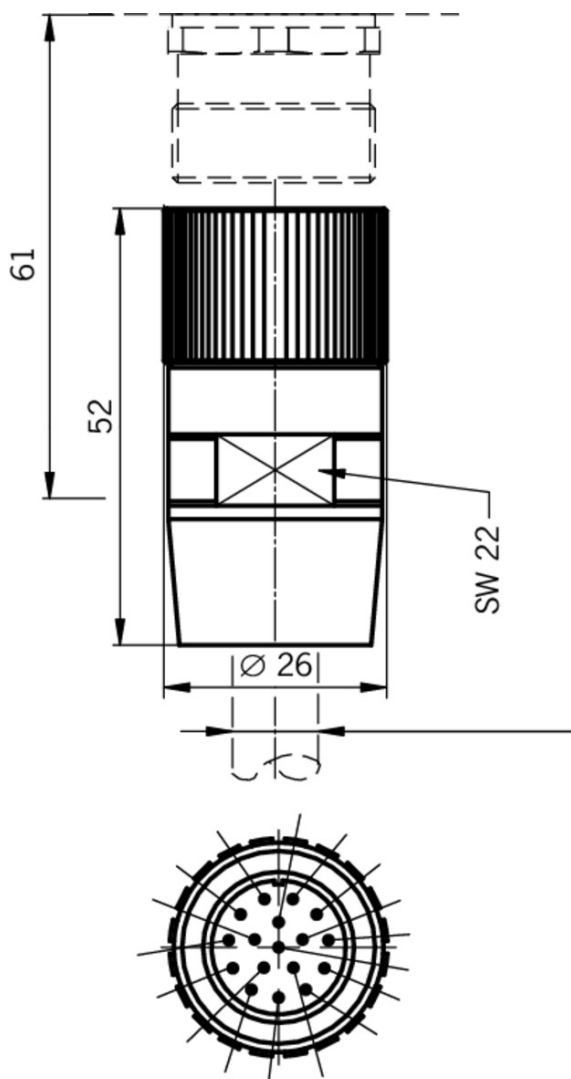
Plug housing material	Metal
Ambient temperature	-20 ... +125 °C
Degree of protection	IP67
Connection	
enclosed	Crimp contacts
Designation of plug connector	RC17
Plug lock	Screw connection
Number of pins	17
Cable outlet	straight
Cable diameter	max.10 mm

Electrical connection ratings

Rated current I	8000 mA ^[1]
Rated voltage	150 V
Connection cross-section	0,14 ... 0,56 mm ²
Screen connection	Via housing connection



[1] Per contact at 25°C





Dimension drawing



Catalogs

 Enabling switches ZS Commandes d'Assentiment ZS Zustimmungstaster ZS

	Doc. no.	Version	Language	Download
Zustimmungstaster ZS	095689	08-07/18		 9.1 MB

Commandes d'Assentiment ZS	097367	08-07/18		 4.9 MB
Enabling switches ZS	095690	08-07/18		 4.9 MB

CAD data

CAD data for this item on TraceParts