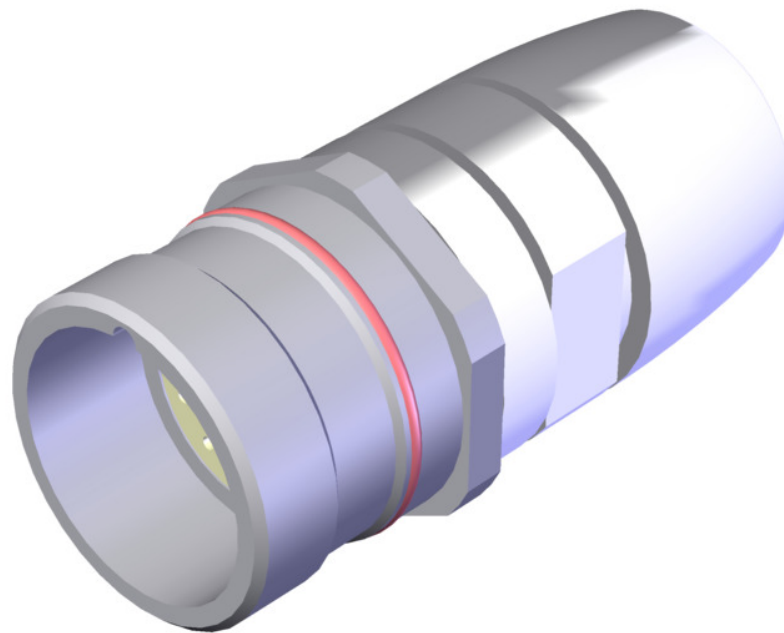


ITEM 106349 STECKVERBINDER 17POL RC-17S1N8A7200

Description	Technical data	Accessories	Downloads
-------------	----------------	-------------	-----------



Female plug RC17

Female connector for hand-held enabling switches.

Mechanical values and environment

Plug housing material	Metal
Plug lock material	CuZn or GD-Zn
Ambient temperature	-20 ... +125 °C
Degree of protection	IP67
Connection type	Socket
Connection	enclosed Crimp contacts
Designation of plug connector	RC17
Plug lock	Screw connection
Number of pins	17
Cable outlet	straight
Cable diameter	max.10 mm [1]

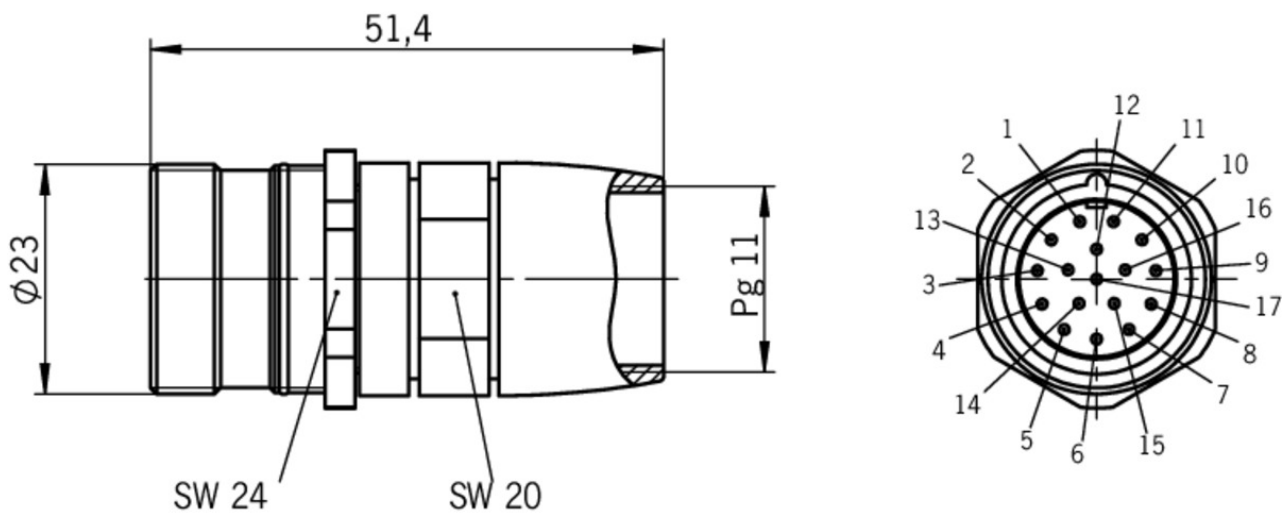
Electrical connection ratings

Rated current I	8000 mA [2]
Rated voltage	150 V
Connection cross-section	0,14 ... 0,56 mm ²
Screen connection	Via housing connection

[1] Clamping with additional cable gland PG11

[2] Per contact at 25°C

Dimension drawing



Catalogs

Enabling switches ZS Commandes d'Assentiment ZS Zustimmungstaster ZS

	Doc. no.	Version	Language	Download
Zustimmungstaster ZS	095689	08-07/18		9.1 MB
Commandes d'Assentiment ZS	097367	08-07/18		4.9 MB
Enabling switches ZS	095690	08-07/18		4.9 MB