

ITEM 099634 C-M12F08-07X025PV20,0-MA-099634

Description	Technical data	Accessories	Downloads
-------------	----------------	-------------	-----------



Features

- › M12 female plug, 8-pin
- › Straight plug connector
- › PVC cable
- › Cable length 20 m
- › With flying lead

These special connection cables are needed for the connection of the CET to a CES evaluation unit. Please take into account in the order!
Interference is prevented by special screening.

Important

Connection cables are not allowed to be extended.

Notice

The connection cables with PUR sheath are suitable for drag chains with a minimum bending radius of 60 mm (10 times the cable diameter).

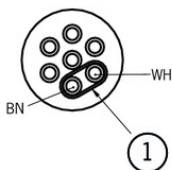
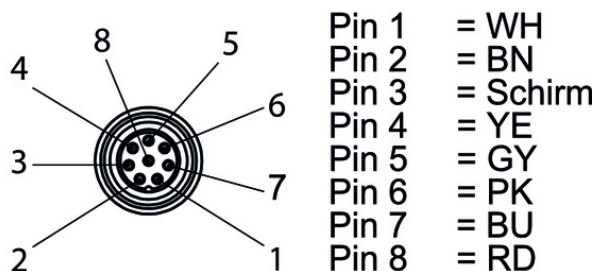
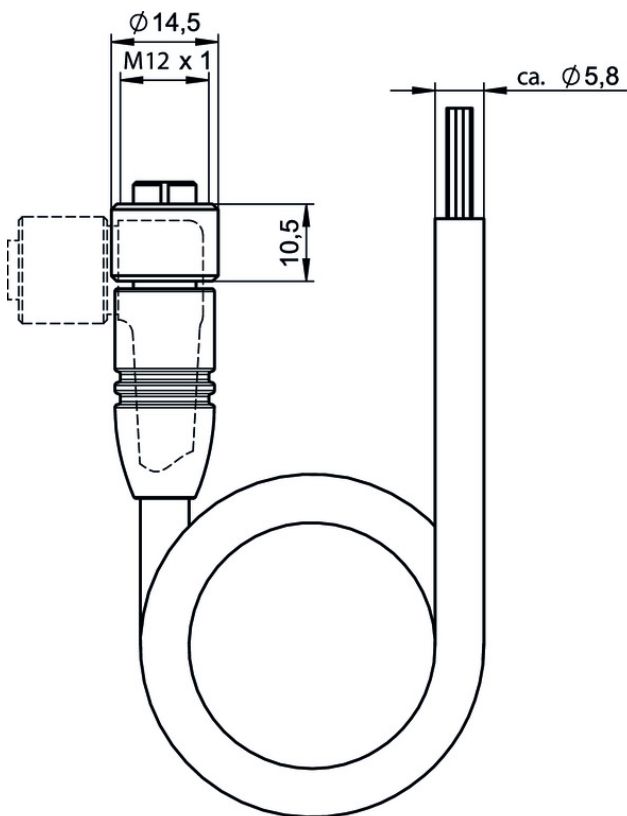
Mechanical values and environment

Sheath material	PVC
Conductor material	Cu
Drag chain suitability	No
Silicone-free	Yes
Ambient temperature	
	Static -40°C / +80°C
	Dynamic +5°C / + 80°C
Number of conductors	7
Type of cable	straight
Cable length	20 m
Cable outlet	straight
Cable diameter	
	Approx. 5,8 mm
Conductor cross-section	0.25 mm ²
Conductor identification	Color code
Sheath color	Black
Bending radius	10 x cable diameter
	Connection 1
Degree of protection	IP67
Plug lock material	CuZn, nickel-plated
Connection	M12
Connection type	Socket
Number of pins	8
Plug lock	Screw connection
Plug housing material	TPU, self-extinguishing
	Connection 2
Conductor end	Sheath stripped
Connection	Flying lead

Electrical connection ratings

Rated voltage	30 V
Nominal current	
	At 40° C 2 A
Rated voltage	36 V
Degree of contamination according to EN 60664-1	3
Test voltage	1,5 kV
Individual shielding	Yes, screen around flexible wires BN and WH connected to pin 3, coverage approx. 85%

Dimension drawing



Legende

1 Screen (pin 3 screen around WH and BN)

Catalogs

▼ Transpondercodierte Sicherheitssysteme mit externer Auswertung Transponder-coded safety systems with external evaluation Sistemas de seguridad con codificación por transponder y evaluación externa Systèmes de sécurité à codage par transpondeur avec analyse externe

	Doc. no.	Version	Language	Download
Transpondercodierte Sicherheitssysteme mit externer Auswertung	127596	02-01/18		3.1 MB
Systèmes de sécurité à codage par transpondeur avec analyse externe	137968	02-01/18		3.0 MB
Sistemas de seguridad con codificación por transponder y evaluación externa	139969	02-01/18		3.0 MB

Transponder-coded safety systems with external evaluation

127597

02-01/18



 3.0 MB

CAD data

CAD data for this item on TraceParts