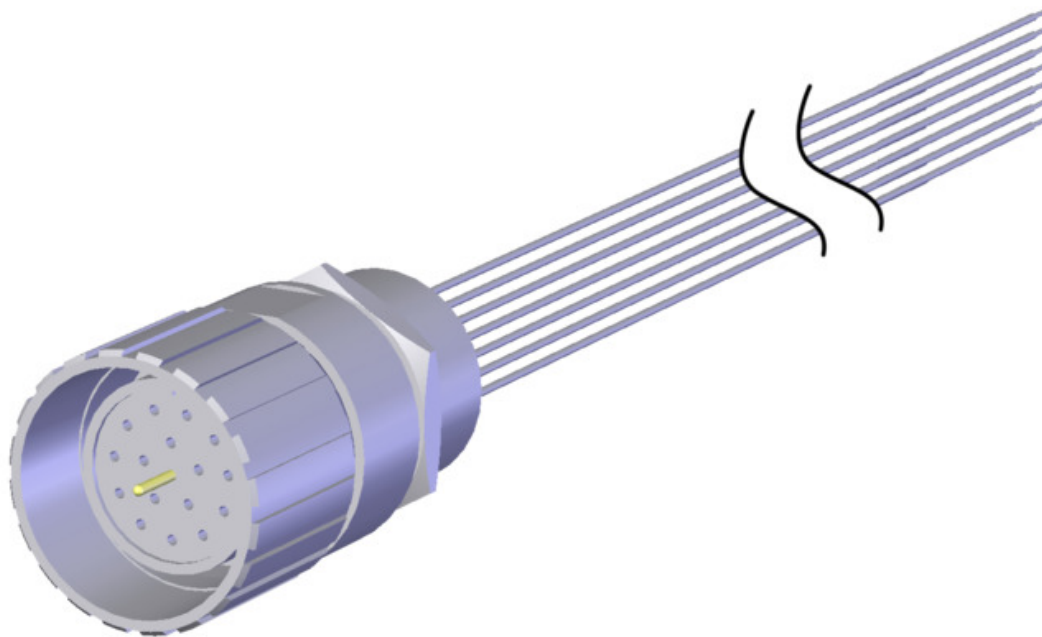


## ITEM 106360 17POL CONINVERS/ZSM BAUSATZ

Description	Technical data	Accessories	Downloads
-------------	----------------	-------------	-----------



### Features

Male flange connector RC17 with strands for connection  
Pre-assembled  
17-pin

### Male flange connector RC17

For connection, e.g. to enabling switches, pre-assembled.

### Mechanical values and environment

Sheath material	not available
Drag chain suitability	No
Ambient temperature	
static	-40 ... +105 °C
Dynamic	-20 ... +105 °C
Designation of plug connector	RC17
Number of conductors	23

Type of cable	straight
Cable length	0,18 m
Cable diameter	<b>[1]</b>
Conductor cross-section	0.14 mm <sup>2</sup>
Bending radius	
	static 10x cable diameter
	Dynamic 10x cable diameter
	<b>Connection 1</b>
Degree of protection	IP67 <b>[2]</b>
Plug lock material	CuZn or GD-Zn
Connection	Plug connector
Connection type	Plug
Cable outlet	straight
Number of pins	17
Plug lock	Screw connection
Plug housing material	Metal
	<b>Connection 2</b>
Conductor end	Flexible wires tinned
Connection	Flying lead
Connection type	Free
Cable outlet	straight
Number of pins	17
Plug lock	not available

### Electrical connection ratings

Rated current I	8000 mA <b>[3]</b>
Rated voltage	150 V
Connection cross-section	0,14 mm <sup>2</sup>
Screen connection	Via housing connection

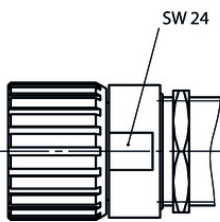
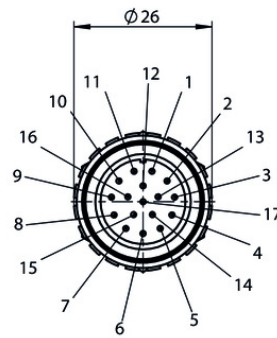
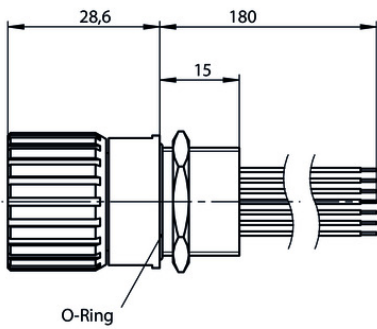
**[1]** Clamping with additional cable gland PG11

**[2]** In the inserted and locked state

**[3]** Per contact at 25°C

## Dimension drawing







Serie RC / Bauform YP  
Series RC / Style YP



Steckerbelegung: Connector pin assignment:		
Stiftkontakt Pin	Querschnitt Cross-section mm <sup>2</sup>	Aderfarbe color
1	0,14	BN
2	0,14	WH
3	0,14	GN
4	0,14	YE
5	0,14	GY
6	0,14	PK
7	0,14	BU
8	0,14	RD
9	0,14	BK
10	0,14	VT
11	0,14	GYPK
12	0,14	RDBU
13	0,14	GNWH
14	0,14	BNGN
15	0,14	YEWB
16	0,14	BNYE
17	0,14	GYWH

## Catalogs

 Enabling switches ZS Commandes d'Assentiment ZS Zustimmungstaster ZS

	Doc. no.	Version	Language	Download
Zustimmungstaster ZS	095689	08-07/18		 9.1 MB
Commandes d'Assentiment ZS	097367	08-07/18		 4.9 MB
Enabling switches ZS	095690	08-07/18		 4.9 MB