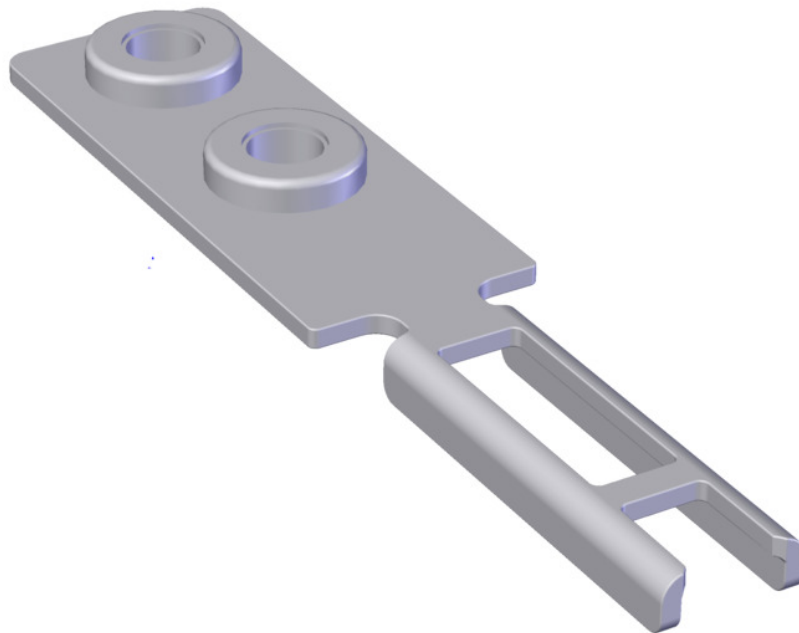


ITEM 103386 BETAETIGER-Q-GT

Description	Technical data	Accessories	Downloads
-------------	----------------	-------------	-----------



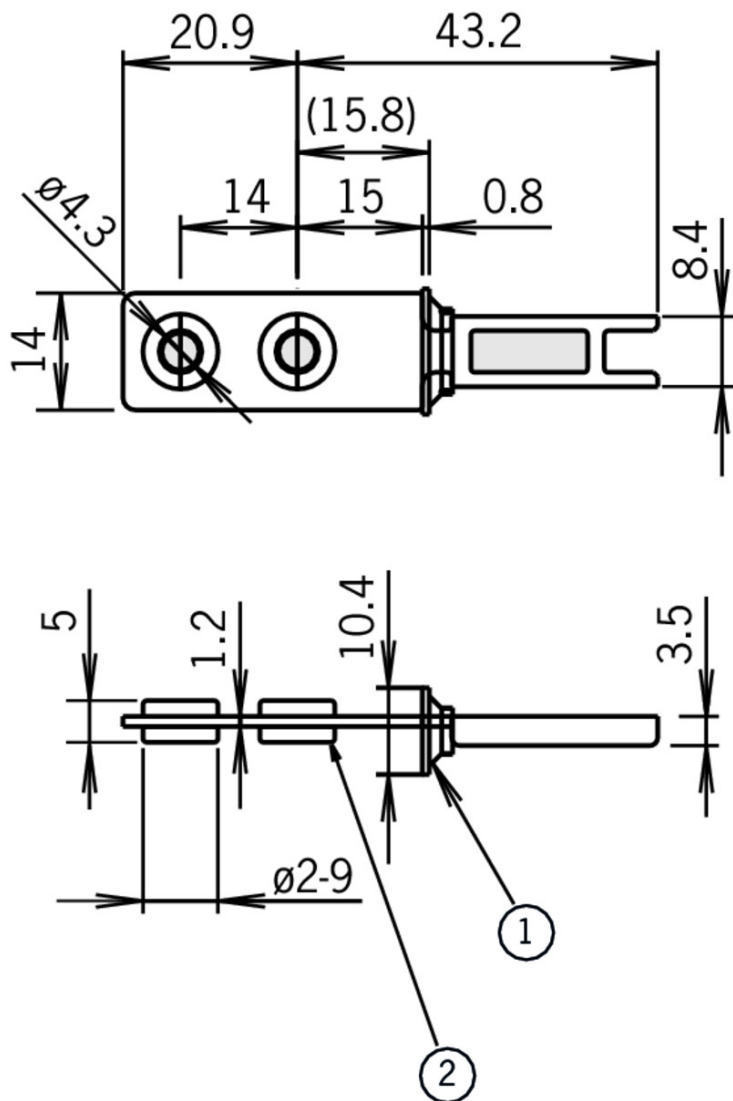
Features

- › With rubber bush
- › Minimum door radius 160 mm
- › Maximum locking force 500 N
- › Mounting aid included

Mechanical values and environment

Material	Actuator	Stainless steel
	rubber bush	NBR
Door radius		min.160 mm
Overtravel		1,3 ... 2,9 mm

Dimension drawing






Legende

- 1 Mounting aid
- 2 rubber bush

Catalogs

Sicherheitsschalter NQ/TQ

	Doc. no.	Version	Language	Download
Sicherheitsschalter NQ/TQ Safety Switches NQ/TQ	103699	05-03/16	 	 0.6 MB

CAD data

CAD data for this item on TraceParts