

ITEM 103387 RADIUSBETAETIGER-Q-RO

Description	Technical data	Accessories	Downloads
-------------	----------------	-------------	-----------



Features

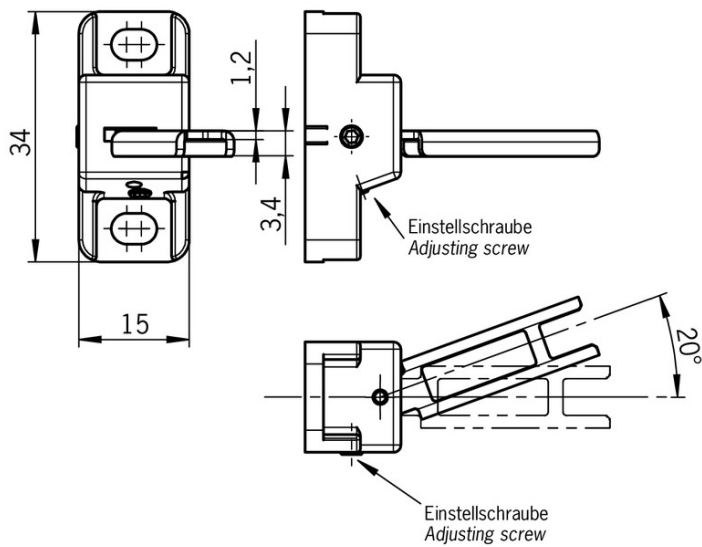
- › Minimum door radius 50 mm
- › For doors hinged on right and at top
- › Maximum locking force 500 N
- › Mounting aid included

Mechanical values and environment

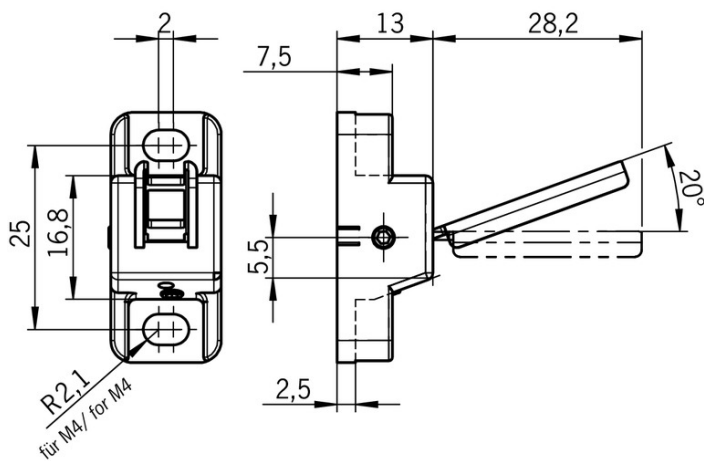
Material	Actuator	Stainless steel
	rubber bush	NBR
Door radius		min.50 mm
Overtravel		1,3 ... 2,9 mm

Dimension drawing

Rechts / Right






Oben / Top



Catalogs

Sicherheitsschalter NQ/TQ

	Doc. no.	Version	Language	Download
Sicherheitsschalter NQ/TQ Safety Switches NQ/TQ	103699	05-03/16	 	 0.6 MB

CAD data

CAD data for this item on TraceParts