

ITEM 103388 RADIUSBETAETIGER-Q-LU

| Description | Technical data | Accessories | Downloads |
|-------------|----------------|-------------|-----------|
|-------------|----------------|-------------|-----------|



Features

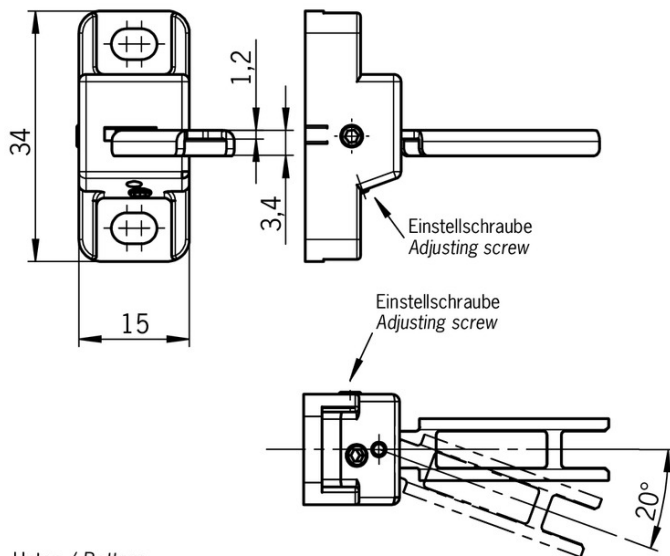
- › Minimum door radius 50 mm
- › For doors hinged on left and at bottom
- › Maximum locking force 500 N
- › Mounting aid included

Mechanical values and environment

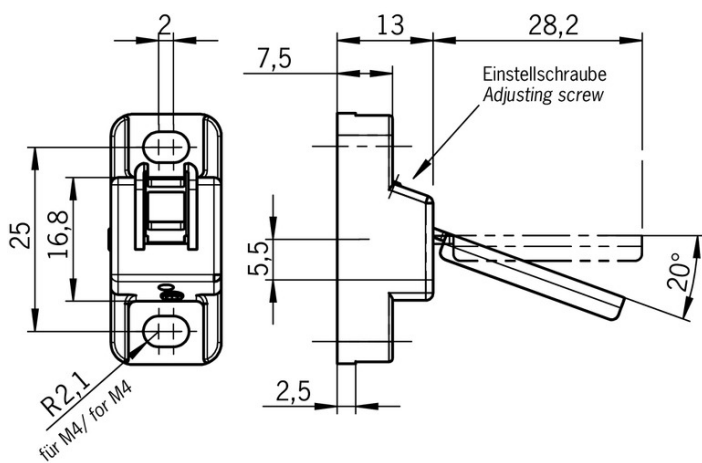
| | | |
|-------------|-------------|-----------------|
| Material | Actuator | Stainless steel |
| | rubber bush | NBR |
| Door radius | | min.50 mm |
| Overtravel | | 1,3 ... 2,9 mm |

Dimension drawing

Links / Left






Unten / Bottom



Catalogs

Sicherheitsschalter NQ/TQ

| | Doc. no. | Version | Language | Download |
|--|----------|----------|--|--|
| Sicherheitsschalter NQ/TQ Safety Switches NQ/TQ | 103699 | 05-03/16 |   |  0.6 MB |

CAD data

CAD data for this item on TraceParts