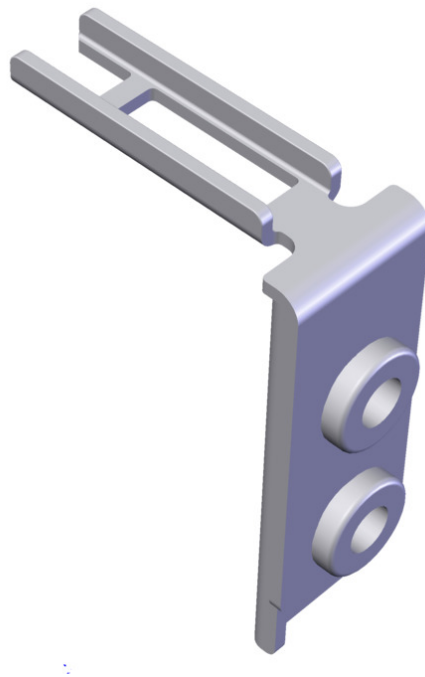


## ITEM 103390 BETAETIGER-Q-WTB

Description	Technical data	Accessories	Downloads
-------------	----------------	-------------	-----------



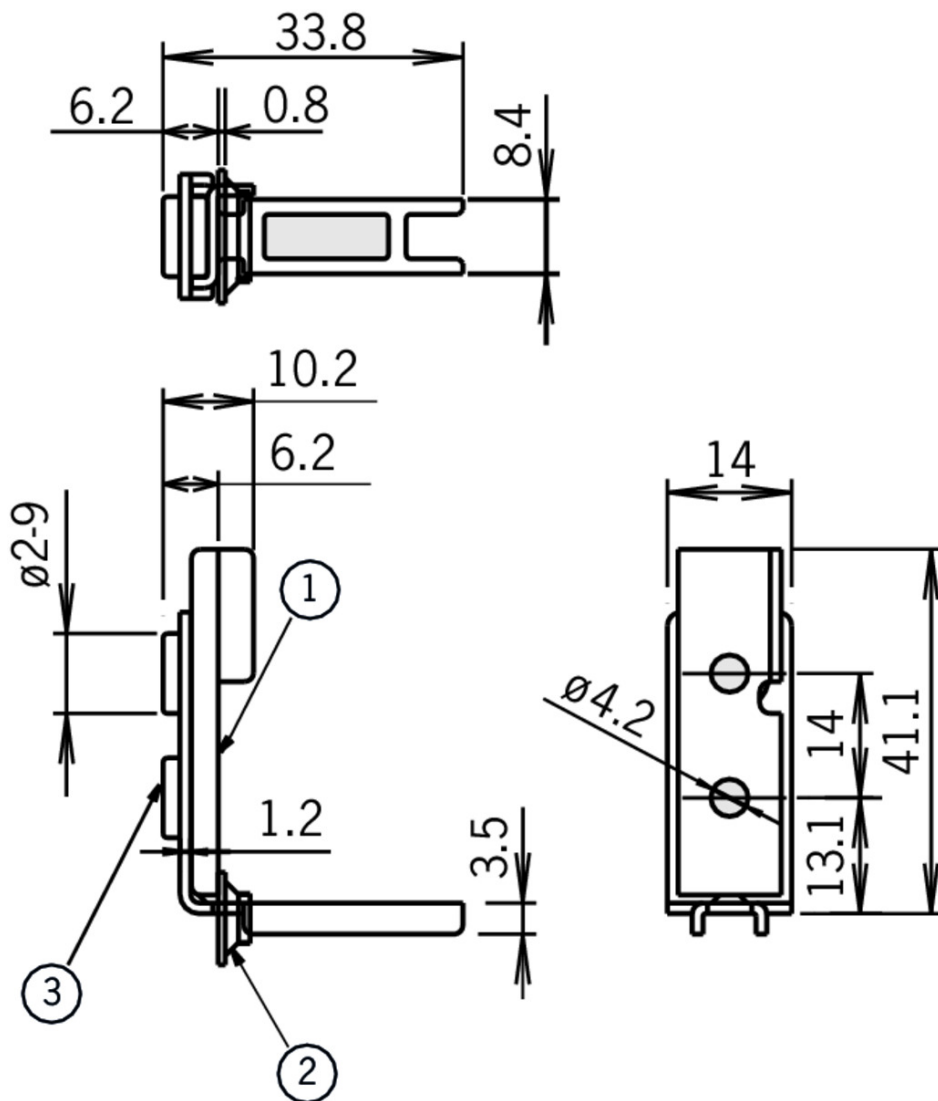
### Features

- › With rubber bush
- › Minimum door radius 160 mm
- › Maximum locking force 500 N
- › With mounting plate
- › Mounting aid included

### Mechanical values and environment

Material	Actuator rubber bush	Stainless steel NBR
Door radius		min.160 mm
Overtravel		1,3 ... 2,9 mm

## Dimension drawing






## Legende

- 1 Mounting plate
- 2 Mounting aid
- 3 rubber bush

## Catalogs

- Sicherheitsschalter NQ/TQ

	Doc. no.	Version	Language	Download
Sicherheitsschalter NQ/TQ Safety Switches NQ/TQ	103699	05-03/16	 	 0.6 MB

## CAD data

CAD data for this item on TraceParts