

**ITEM 104145 C-M08F04-04X025PV10,0-ES-104145**

Description	Technical data	Accessories	Downloads
-------------	----------------	-------------	-----------



**Features**

- › M8 female plug, 4-pin
- › Straight plug connector
- › PVC cable
- › Cable length 1 m
- › With flying lead

**Mechanical values and environment**

Sheath material	PVC
Weight	Net 0,3 kg
Drag chain suitability	No
Ambient temperature	static -20 ... +80 °C
Number of conductors	4
Type of cable	straight
Cable length	10 m

Cable diameter	Approx.	4,9 mm
Conductor cross-section		0.25 mm <sup>2</sup>
Sheath color		Black
Bending radius	static	12.5 x cable diameter
<b>Connection 1</b>		
Degree of protection		IP67 [1]
Connection		Plug connector M8x1
Connection type		Socket
Cable outlet		straight
Number of pins		4
Plug lock		Screw connection
Plug housing material		PUR
<b>Connection 2</b>		
Conductor end		Cable end sleeves
Connection		Flying lead

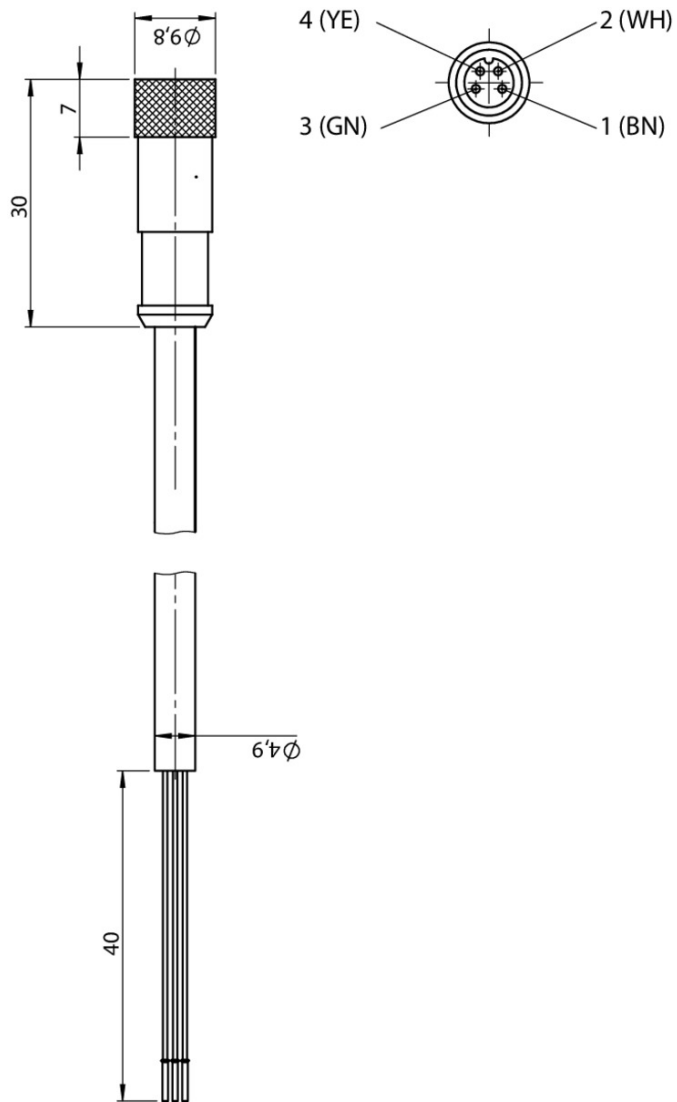
### Electrical connection ratings

Rated voltage		60 V
Specific cable resistance	At 20°C	max.55 Ω/km
Test voltage		1 kV [2]

[1] In the inserted state

[2] eff./60 s

## Dimension drawing



## Catalogs

- ✓ Magnetisch codierte Sicherheitsschalter CMS Système de sécurité sans contact CMS  
Magnetically Coded Safety Switches CMS

	Doc. no.	Version	Language	Download
Magnetisch codierte Sicherheitsschalter CMS	086823	09-02/18		2.3 MB
Système de sécurité sans contact CMS	090606	09-02/18		2.3 MB
Magnetically Coded Safety Switches CMS	086824	09-02/18		2.3 MB