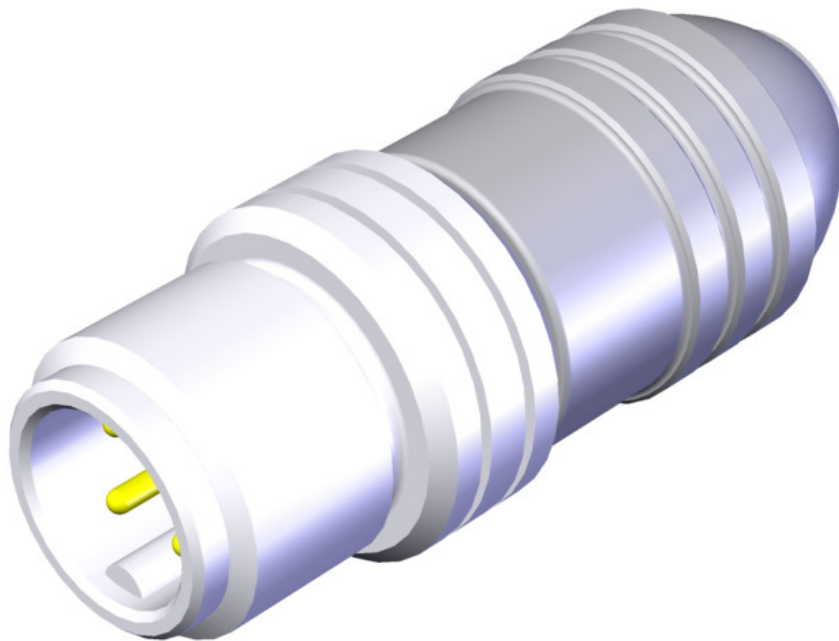


ITEM 097645 BRUECKEN-STECKER

Description	Technical data	Accessories	Downloads
-------------	----------------	-------------	-----------



Features

- › Bridging plug
- › M12 male plug, 4-pin

Important:

On AR switch chains with Y-distributor the switch chain must be terminated using a strapping plug. The strapping plug must be connected to the first switch in the switch chain. Switch chains up to maximum 200 m are allowed taking into account the voltage drop due to the cable resistance (see operating instructions of your AR device).

Mechanical values and environment

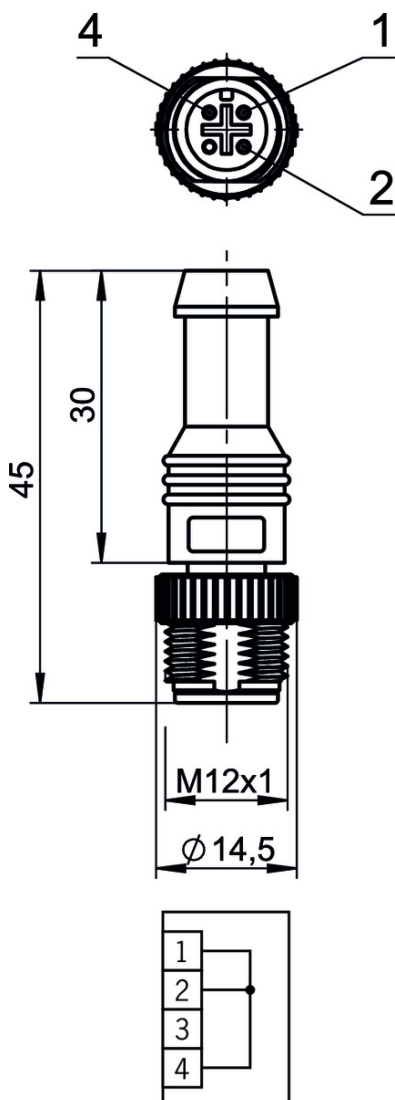
Type specification	M12 EN 61076-2-101
Plug housing material	Plastic
Plug lock material	CuZn, nickel-plated
Ambient temperature	-25 ... 90 °C

Degree of protection	IP68
Connection type	Plug
Connection	Screw terminal
Plug lock	Screw connection
Number of pins	4
Cable outlet	straight

Electrical connection ratings

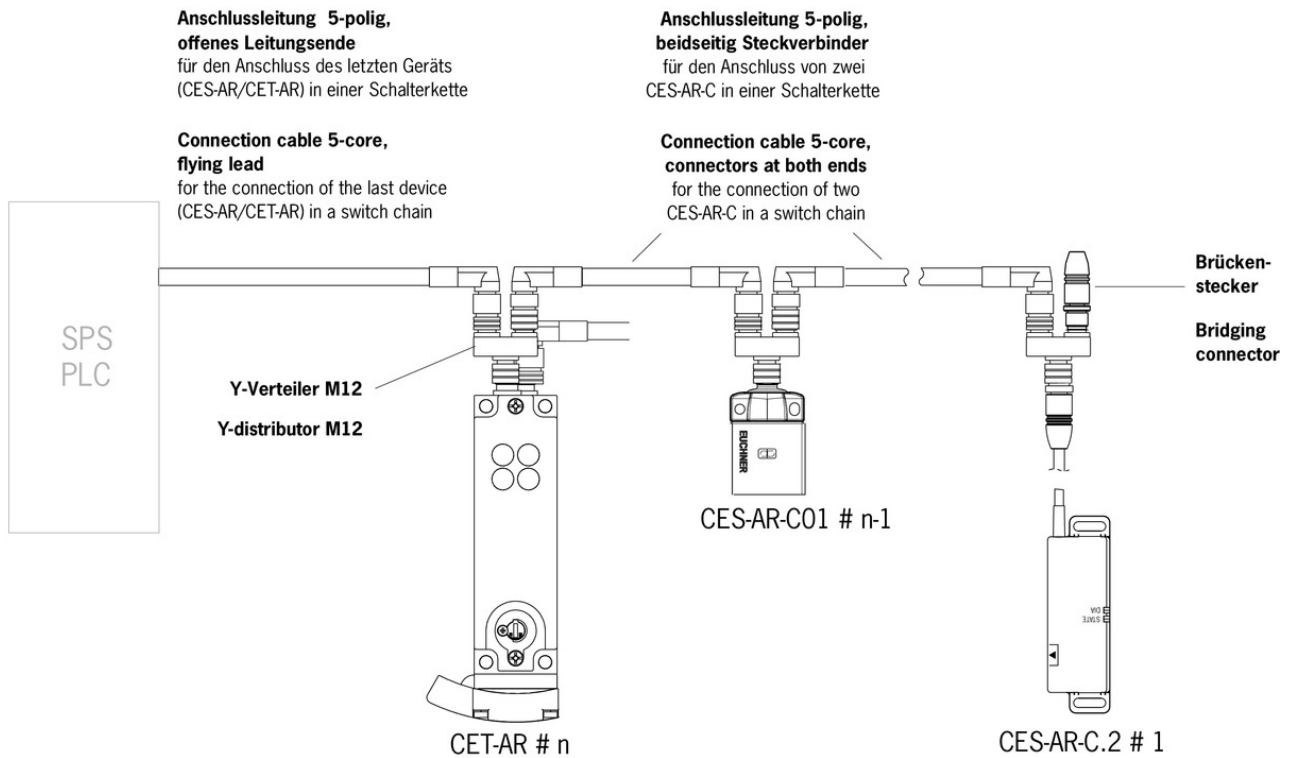
Rated voltage	60 V
Nominal current	At 40° C 4 A
Rated voltage	63 V
Degree of contamination according to EN 60664-1	3
Test voltage	1,5 kV

Dimension drawing



Wiring diagram

Schalterkette mit Y- Verteiler Switch chain with Y- distributor M12



Catalogs

- ▼ Transpondercodierte Sicherheitsschalter - Verriegelungseinrichtungen und Zuhaltungen
 Transponder-coded safety switches - Interlocking devices and guard locking devices
 Interruptores de seguridad con codificación por transponder - Dispositivos de enclavamiento y bloqueos
 Interrupteurs de sécurité à codage par transpondeur - Dispositifs de verrouillage et interverrouillages

	Doc. no.	Version	Language	Download
Transpondercodierte Sicherheitsschalter - Verriegelungseinrichtungen und Zuhaltungen	127594	02-01/18		5.2 MB
Interrupteurs de sécurité à codage par transpondeur - Dispositifs de verrouillage et interverrouillages	137558	02-01/18		5.2 MB
Interruptores de seguridad con codificación por transponder - Dispositivos de enclavamiento y bloqueos	137560	02-01/18		5.2 MB
Transponder-coded safety switches - Interlocking devices and guard locking devices	127595	02-01/18		5.1 MB