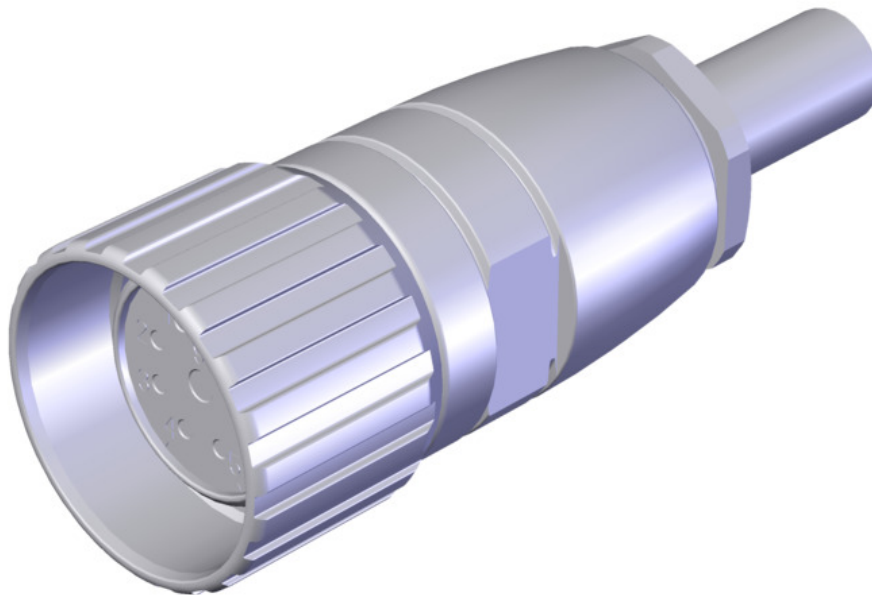


**ITEM 106597 P-M23F09-106597**

Description	Technical data	Accessories	Downloads
-------------	----------------	-------------	-----------



**Plug connector M23**

- › Plug connector for safety switches CES-AH-C03-...
- › Suitable for connection to meet EMC requirements

**Mechanical values and environment**

Type specification	M23
Plug housing material	Metal
Ambient temperature	-20 ... +125 °C
Degree of protection	IP67 <sup>[1]</sup>
Connection type	Socket
Connection	Soldered connection
Designation of plug connector	RC9
Plug lock	Screw connection
Number of pins	9
Cable outlet	straight
Cable diameter	8 ... 12 mm

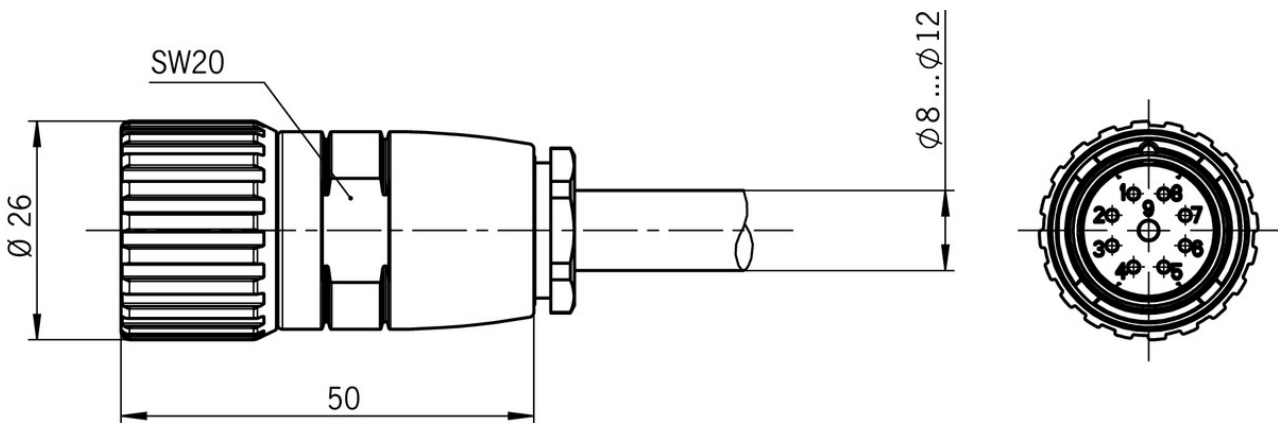
Insertion cycles	50
------------------	----

### Electrical connection ratings

Rated current I	8000 mA
Rated voltage	300 V
Overtoltage category according to IEC EN 60664-1	II
Degree of contamination according to EN 60664-1	3
Test voltage	2,5 kV

[1] In locked state

### Dimension drawing



### Catalogs

- Transpondercodierte Sicherheitsschalter - Verriegelungseinrichtungen und Zuhaltungen  
 Transponder-coded safety switches - Interlocking devices and guard locking devices  
 Interruptores de seguridad con codificación por transponder - Dispositivos de enclavamiento y bloqueos  
 Interrupteurs de sécurité à codage par transpondeur - Dispositifs de verrouillage et interverrouillages

	Doc. no.	Version	Language	Download
Transpondercodierte Sicherheitsschalter - Verriegelungseinrichtungen und Zuhaltungen	127594	02-01/18		5.2 MB
Interrupteurs de sécurité à codage par transpondeur - Dispositifs de verrouillage et interverrouillages	137558	02-01/18		5.2 MB
Interruptores de seguridad con codificación por transponder - Dispositivos de enclavamiento y bloqueos	137560	02-01/18		5.2 MB

Transponder-coded safety switches - Interlocking devices and guard locking devices

127595

02-01/18



5.1 MB