

## ITEM 109672 RIEGEL CET-A-C-C2308

Description	Technical data	Accessories	Downloads
-------------	----------------	-------------	-----------



### Features

- › Steel bolt
- › In combination with CET
- › For left or right hinged doors
- › Can be locked in open position with padlocks
- › Bolt without door stop, suitable for swing doors

### Advantages

- › Robust construction
- › Easily fitted to standard aluminum profiles and machine covers by screw connection
- › Distinctive yellow color for easy recognition
- › No additional door handle necessary

### Notes

- › Order switch, read head, actuator and evaluation unit separately
- › Other bolt types (e.g. with mechanical detent mechanism in closed bolt position) on request
- › The installation position of the safety switch/ read head affects the safety

category

- › Cover AM-C-124721 for actuator CET included
- 

### Special features

- › Allows door to be opened outward and inward, making it particularly suitable for swing doors

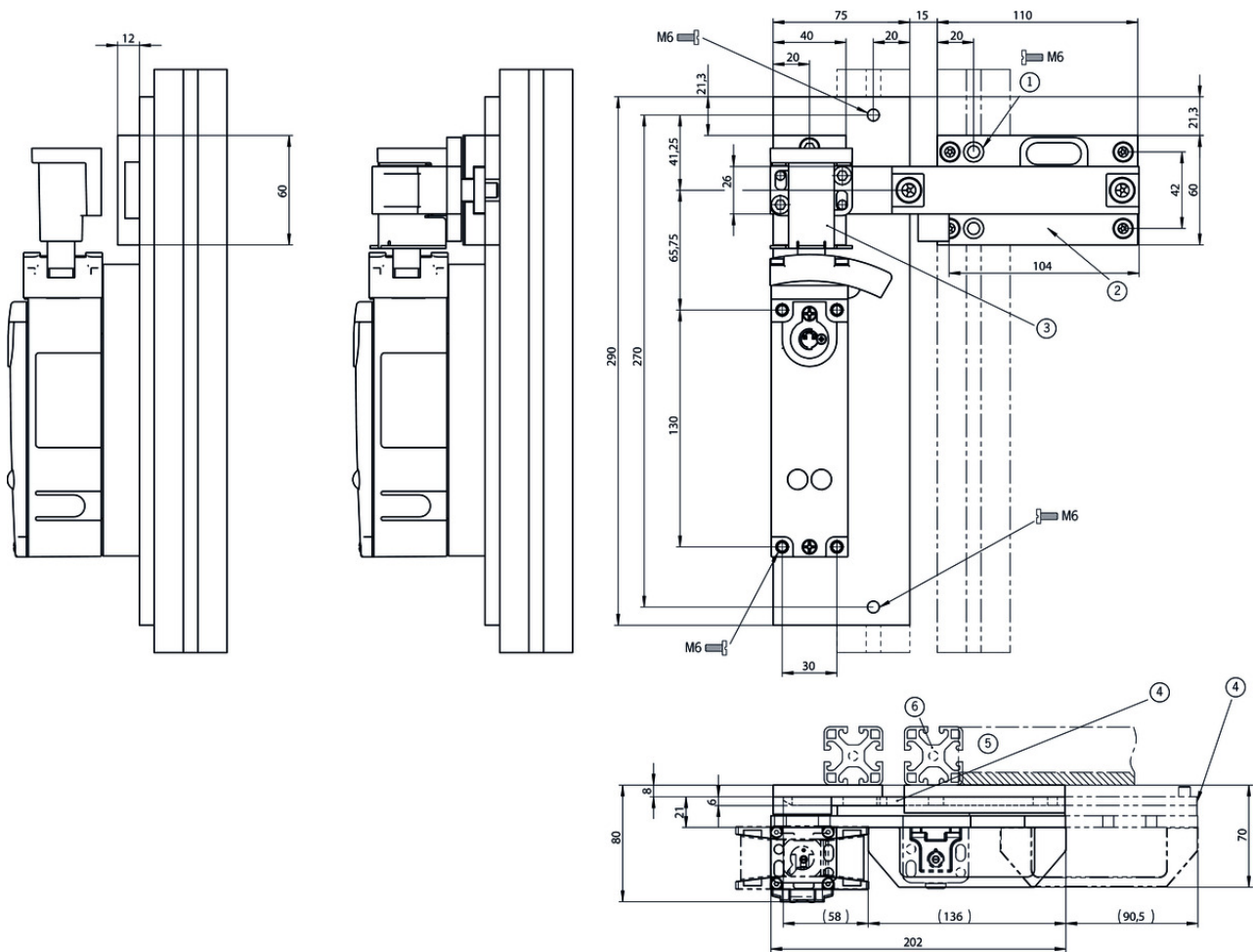
### Mechanical values and environment

Material	Handle	Plastic
	Guide strips	Plastic
	Base plate	Galvanized steel
	Switch bracket	Steel powder-coated
Weight	Net	2,75 kg
	Escape release	No
Number of safety switches that can be fitted		1

### Miscellaneous

C number	C2308	Bolt without door stop
Detent mechanism		No

## Dimension drawing



## Legende

- 1 for M6 screw (both sides)
- 2 Attention! Bolt must not be used in conjunction with an escape release.
- 3 Cover
- 4 Attention! In the rear position there is no door stop on the switch bracket!
- 5 Door hinged on the right
- 6 Safety guard frame (40x40)

## Spare parts

- ✓ Replacement handle for EUCHNER bolts



**093500** RIEGELGRIFF/V5

### ✓ Features

- › Material: plastic, reinforced polypropylene (PP)
- › Color: black, mat
- › Temperature resistance up to 100 °C
- › Packaging unit 5 pieces

## Function expansion

### ▼ Cover for actuator CET



**124721** AM-C-124721

#### ▼ Features

- › Cover for actuator CET
- › Horizontal fastening option on the actuator
- › Mounting using 4 screws M5x16 (included with the actuator)
- › Not suitable in combination with lockout bar for actuator CET

## Catalogs

- ▼ Transpondercodierte Sicherheitsschalter - Verriegelungseinrichtungen und Zuhaltungen  
Transponder-coded safety switches - Interlocking devices and guard locking devices  
Interruptores de seguridad con codificación por transponder - Dispositivos de enclavamiento y bloqueos  
Interrupteurs de sécurité à codage par transpondeur - Dispositifs de verrouillage et interverrouillages

	Doc. no.	Version	Language	Download
Transpondercodierte Sicherheitsschalter - Verriegelungseinrichtungen und Zuhaltungen	127594	02-01/18		5.2 MB
Interrupteurs de sécurité à codage par transpondeur - Dispositifs de verrouillage et interverrouillages	137558	02-01/18		5.2 MB
Interruptores de seguridad con codificación por transponder - Dispositivos de enclavamiento y bloqueos	137560	02-01/18		5.2 MB
Transponder-coded safety switches - Interlocking devices and guard locking devices	127595	02-01/18		5.1 MB

- ▼ Transpondercodierte Sicherheitssysteme mit externer Auswertung  
Transponder-coded safety systems with external evaluation  
Sistemas de seguridad con codificación por transponder y evaluación externa  
Systèmes de sécurité à codage par transpondeur avec analyse externe

	Doc. no.	Version	Language	Download
Transpondercodierte Sicherheitssysteme mit externer Auswertung	127596	02-01/18		3.1 MB
Systèmes de sécurité à codage par transpondeur avec analyse externe	137968	02-01/18		3.0 MB
Sistemas de seguridad con codificación por transponder y evaluación externa	139969	02-01/18		3.0 MB
Transponder-coded safety systems with external evaluation	127597	02-01/18		3.0 MB

## CAD data

CAD data for this item on TraceParts