

ITEM 104964 RIEGEL CES-AR-C/F

Description	Technical data	Accessories	Downloads
-------------	----------------	-------------	-----------



Features

- › Steel bolt
- › For doors hinged on the left or right
- › Lever for escape release from the danger area
- › For non-contact safety switches CES-A-C.../ CES-A-W.../ CES-...C01-...
- › Connection via M12 plug connector
- › Detent knob in open position
- › Ball detent mechanism in closed position
- › Can be locked in open position with padlocks
- › CES actuator integrated in the bolt tongue

Advantages

- › Robust construction
- › Easily fitted to standard aluminum profiles and machine covers by screw connection
- › Distinctive yellow color for easy recognition
- › Symmetrical design for doors hinged on the right or left
- › No additional door handle necessary

Notes

- › Order safety switch separately

Special features

- › Easy mounting of the safety switch on the bracket for the bolt tongue
- › Uniquely coded actuator (one-off)- maximum protection against tampering
- › Bolt with detent mechanism- bolt latches in open position to prevent unintentional closing
- › Ball detent mechanism in closed bolt position- protection against vibration

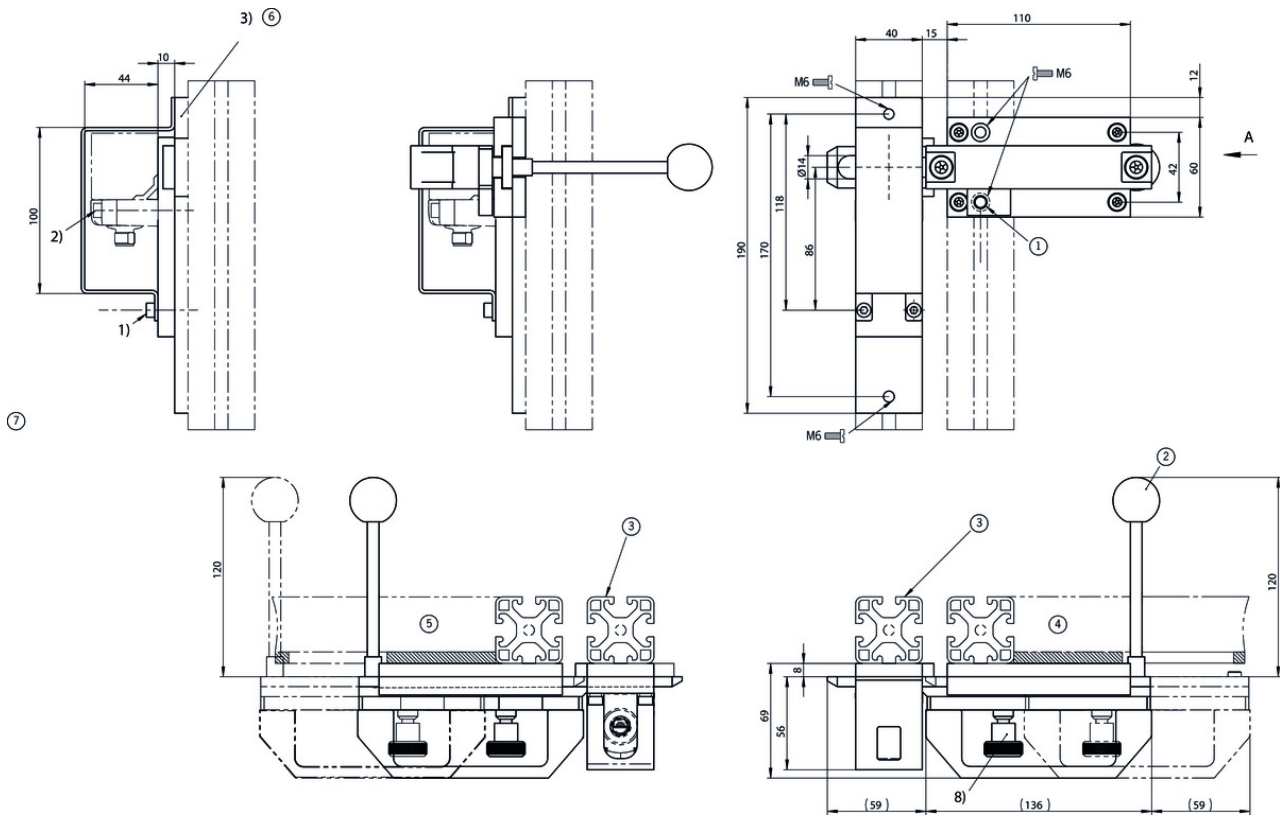
Mechanical values and environment

Material	Handle	Plastic
	Guide strips	Plastic
	Base plate	Galvanized steel
	Switch bracket	Steel powder-coated
Weight	Net	1,75 kg
	Escape release	Yes
Number of safety switches that can be fitted		1

Miscellaneous

Detent mechanism	Open position	Bolt detent mechanism
	Closed position	Ball detent mechanism

Dimension drawing



Legende

- 1 Detent mechanism against accidental opening (vibration)
- 2 Escape release included loose
- 3 Safety guard frame (40x40)
- 4 Door hinged on the right
- 5 Door hinged on the left
- 6 Stop plate
- 7 Changing the approach direction
- 1) Undo the screws M5x10 (1)
- 2) Undo the fixing screws on the CES-...
- 3) Turn the stop plate
- 4) Mount in the reverse order of removal
- 8) Bolt with detent mechanism. Engages in open position. (Prevents unintentional closing of the bolt) Unlocked by pulling the detent knob upward.

Spare parts

- ☑ Replacement handle for EUCHNER bolts



093500 RIEGELGRIFF/V5

☑ Features

- › Material: plastic, reinforced polypropylene (PP)
- › Color: black, mat
- › Temperature resistance up to 100 °C

› Packaging unit 5 pieces

Function expansion

▼ Protective plate CES-C01/CES-C05



117007 SCHUTZBLECH / PROTECTION PLATE

▼ Features

- › Protective plate can be used in combination with the switch CES-C01.
 - › The protective plate protects the switch against external impacts.
 - › Two safety screws M5 x 18 included.
-

Declaration of conformity

▼ EU-Konformitätserklärung

	Doc. no.	Version	Language	Download
EU-Konformitätserklärung	2138160	01-01/17		0.3 MB
Declaración UE de conformidad				
Déclaration UE de conformité				
Dichiarazione di conformità				
EU declaration of conformity				