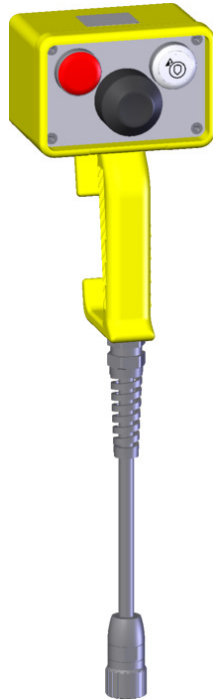


## ITEM 122338 ZSB122338

Description	Technical data	Accessories	Downloads
-------------	----------------	-------------	-----------



### Features

- › 3-stage function
- › Housing G3
- › Straight connection cable, 10 m
- › 1 LED and 1 pushbutton

### Cable

The high quality connection cables (individual screening of the safety contacts) are available straight.

### 3-stage function

Enabling function is active only in the second stage (middle position, actuating point). If the pushbutton is released or pushed further (panic function), the enabling is removed (dependent on the wiring, see function sequence).

### Approvals



## Mechanical values and environment

Material	Housing	Plastic yellow
	Cap	Elastomer PAK arm, black
Weight	Net	2,5 kg
Ambient temperature		-5 ... 50 °C
Degree of protection		IP65
Mechanical life	Position 1-2-1	min.0,1 x 10 <sup>6</sup>
	Position 1-2-3-1	min.0,1 x 10 <sup>6</sup>
Switching principle		Slow-action contact element
Number of positively driven contacts		2
Number of NO contacts		2
Connection		Plug connector number of pins 12
Cable length	straight	10 m

## Electrical connection ratings

Rated conditional short-circuit current		100 A
Utilization category according to EN 60947-5-1	AC-15	2A 24V 100mA 24V
	DC-13	2A 24V 100mA 24V
Short circuit protection according to IEC 60269-1	at 24V	2A gG [1]
	Additional elements at 24V	0.1A gG [2]
Rated insulation voltage U <sub>i</sub>		250 V
Rated impulse withstand voltage U <sub>imp</sub>		0,8 kV
Switching voltage	Min. at 10mA	min.12 V
Switching current	Min. at 24 V	min.1 mA
Degree of contamination (external, according to EN 60947-1)	Industry	3
Connecting cable		8x0.5mm <sup>2</sup> + 8x0.14mm <sup>2</sup> [3]

## Miscellaneous

Additional feature	Version	1 illuminated pushbutton
	Version	1 signal lamp

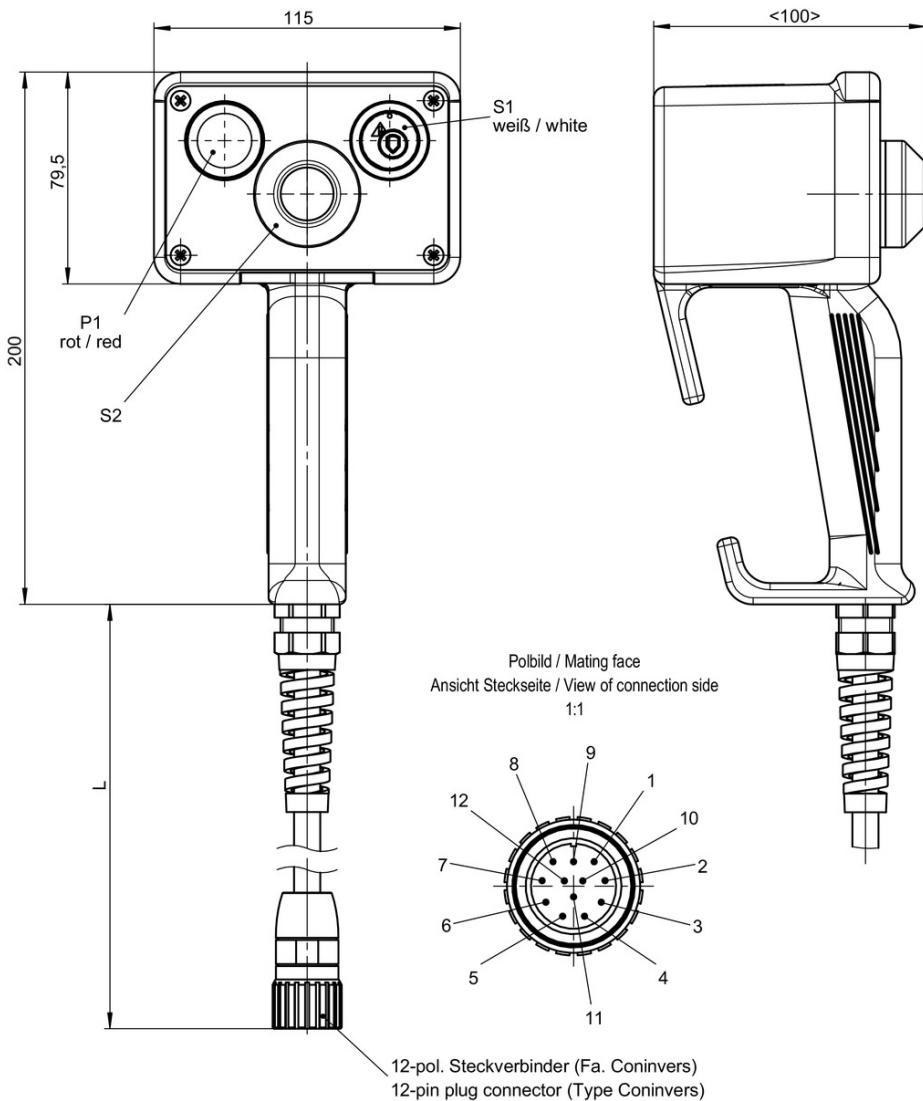
**Reliability values acc. to EN ISO 13849-1**

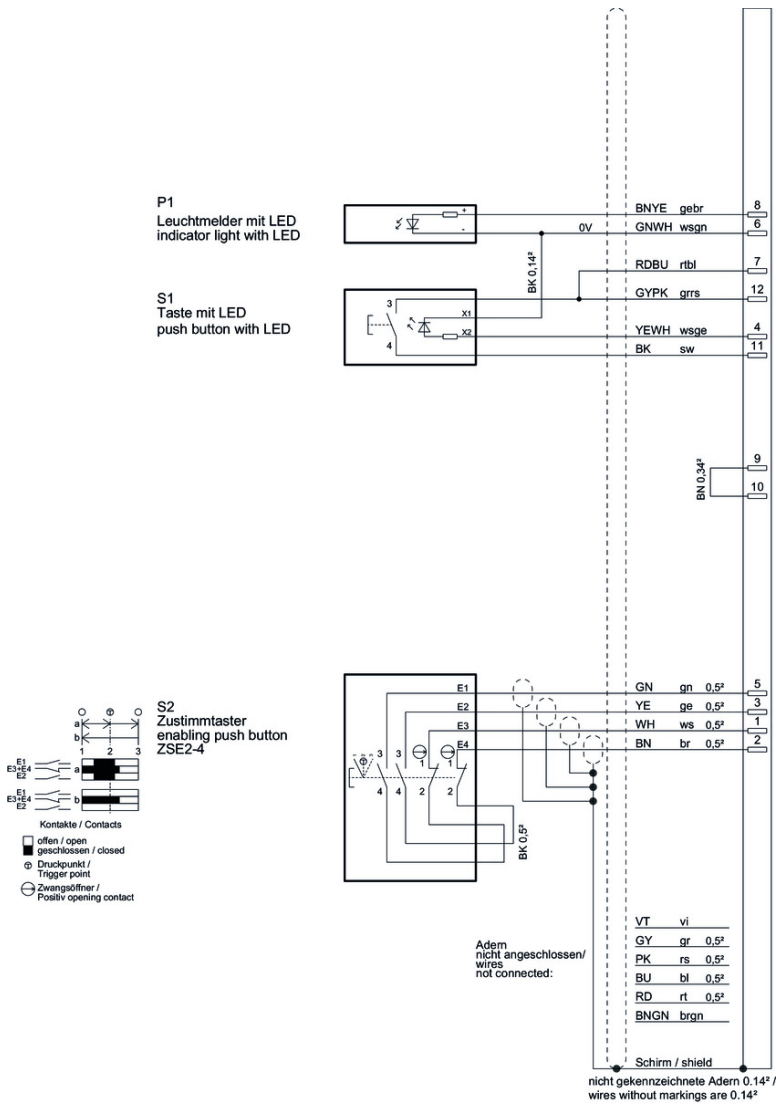
	<b>Enabling switch</b>
B10 <sub>D</sub>	0,5 x 10 <sup>6</sup>

[1, 2] In case of operating voltages other than DC 24V, the short circuit protection must be dimensioned accordingly and checked.

[3] 4x0.5mm<sup>2</sup> screened + 4x0.5mm<sup>2</sup> unscreened + 8x0.14mm<sup>2</sup> unscreened. Outer screen over everything.

**Dimension drawing**





## Instructions

✓ Betriebsanleitung Zustimmtaster ZSB

	Doc. no.	Version	Language	Download
Betriebsanleitung Zustimmtaster ZSB	092782	06-12/13		0.5 MB
Mode d'emploi de la commande d'assentiment ZSB				
Istruzioni di impiego del pulsante di consenso ZSB				
Operating Instructions Enabling Switch ZSB				

## Declaration of conformity


✓ EU-Konformitätserklärung

Doc. no. Version Language Download

EU-Konformitätserklärung  
Declaración UE de conformidad  
Déclaration UE de conformité  
Dichiarazione di conformità  
EU declaration of conformity

2109392 04-11/16



 0.2 MB