

ITEM 121646 BTC-CES04-S-TH-20-X-121646

Description	Technical data	Accessories	Downloads
-------------	----------------	-------------	-----------



Features

- › Aluminum bolt
- › For doors hinged on the left or right
- › Spring catch in closed position
- › Can be locked in open position with padlocks

Advantages

- › Robust construction
- › Easily fitted to standard aluminum profiles and machine covers by screw connection
- › Distinctive yellow color for easy recognition
- › No additional door handle necessary

Notes

- › The bolts are suitable for safety switches series **CES-C04**
- › Order safety switch separately
- › Order actuator separately

Special features

- › Bolt with detent mechanism
- › Spring catch in closed bolt position- protection against vibration

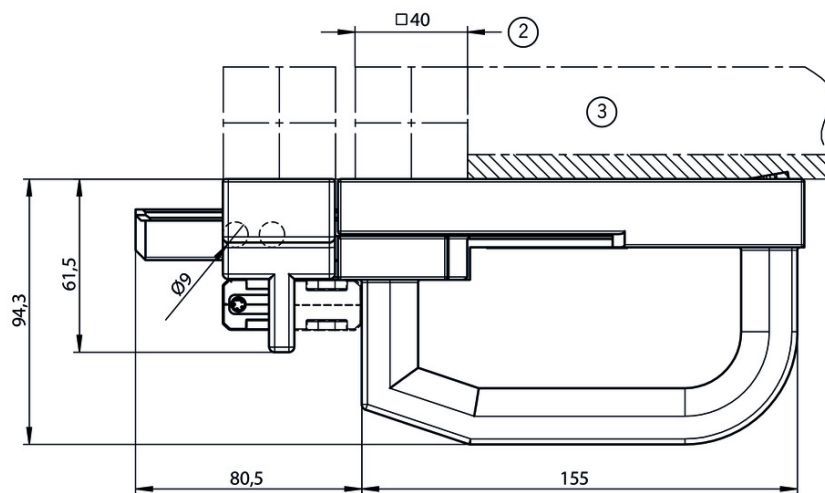
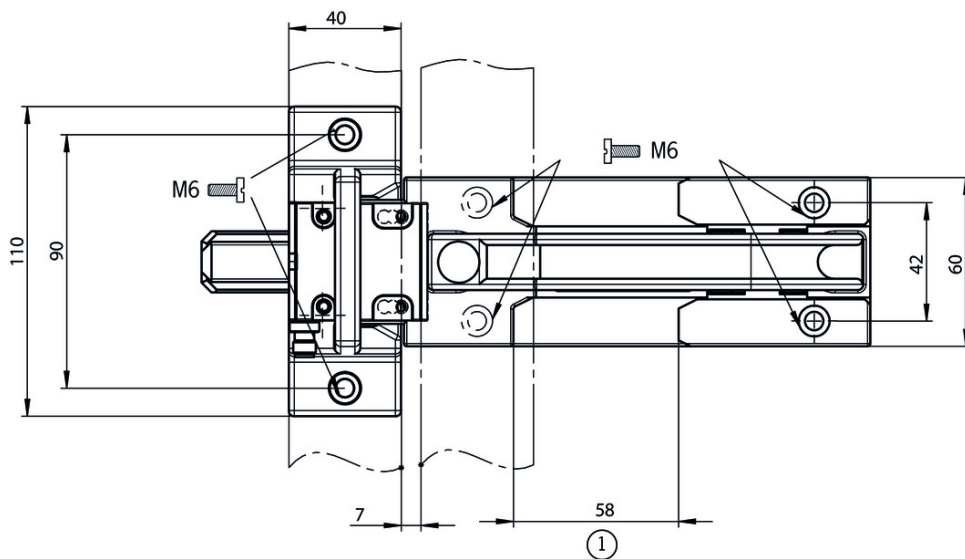
Mechanical values and environment

Material	Handle	Aluminum
	Guide strips	Aluminum
	Base plate	Aluminum
	Switch bracket	Aluminum
Weight	Net	1 kg
	Escape release	No
Number of safety switches that can be fitted		1

Miscellaneous

Detent mechanism	Clamping latch at front
------------------	-------------------------

Dimension drawing



Legende

- 1 Opening
- 2 Safety guard frame (40x40)
- 3 Door hinged on the right

Actuator

✓ Actuator CES-A-BBN-C04











115271 CES-A-BBN-C04-115271

✓ Features

- › Cube-shaped design 42 x 25 mm
- › Two safety screws M4x20 and rubber support included

Catalogs

- ✓ Transpondercodierte Sicherheitsschalter - Verriegelungseinrichtungen und Zuhaltungen
Transponder-coded safety switches - Interlocking devices and guard locking devices
Interruptores de seguridad con codificación por transponder - Dispositivos de enclavamiento y bloqueos
Interrupteurs de sécurité à codage par transpondeur - Dispositifs de verrouillage et interverrouillages

	Doc. no.	Version	Language	Download
Transpondercodierte Sicherheitsschalter - Verriegelungseinrichtungen und Zuhaltungen	127594	02-01/18		 5.2 MB
Interrupteurs de sécurité à codage par transpondeur - Dispositifs de verrouillage et interverrouillages	137558	02-01/18		 5.2 MB
Interruptores de seguridad con codificación por transponder - Dispositivos de enclavamiento y bloqueos	137560	02-01/18		 5.2 MB
Transponder-coded safety switches - Interlocking devices and guard locking devices	127595	02-01/18		 5.1 MB