

**ITEM 120008 CET4-AS-CRB-AB-50X-1-120008**

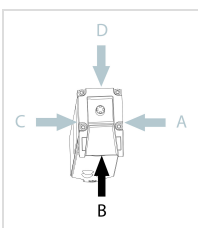
Description	Technical data	Accessories	Downloads
-------------	----------------	-------------	-----------



**Features**

- › Safety switch with guard locking and integrated evaluation electronics
- › Locking force up to 6500 N
- › Up to category 4/PL e according to EN ISO 13849-1
- › Unicode
- › Approach direction B (default setting on delivery)

**Approach direction**



- › Figure  
Horizontal  
Can be adjusted in 90° steps

**Guard locking type**

**CET4 Open-circuit current principle** guard locking by control of AS-i output 0. Release by spring force.

---

### Control of the guard locking solenoid

The guard locking solenoid is controlled by the control system via ASInterface bus bit D0.

---

### AS-Interface inputs

**D0, D1** Door monitoring

**D2, D3** Guard lock monitoring

Evaluation is performed via a safety monitor.

---

### AS-Interface outputs

**D0** Guard locking

**D1** Red LED

**D2** Green LED

---

### LED function display

- › The ASI LED indicates the operating voltage on the bus.
- › The State LED indicates if a fault has been detected on the AS-Interface bus.
- › The green and the red LEDs can be controlled as required by the control system via the bus using bits D1 and D2.

### Approvals



### Mechanical values and environment

Housing material	Slide	Stainless steel
	Safety switch housing	Die-cast aluminum
Weight	Net	1 kg
Ambient temperature	At $U_B = 24V$ DC	-20 ... 55 °C
Degree of protection		IP67 [1]
Resilience to vibration		In acc. with EN IEC 60947-5-2
Mechanical life		$1 \times 10^6$
Installation position		Any [2]
Degree of freedom	Z	$\pm 4$ mm

	Y	±5 mm
	X	±5 mm
Switching frequency		max.0,5 Hz
Connection	1x	Plug connector M12 [3]
Approach speed		20 m/min
Guard locking principle		Open-circuit current principle
Locking force $F_{max}$		6500 N
Locking force $F_{Zh}$		5000 N [4]

### Electrical connection ratings

ASi voltage		22,5 ... 30 V 31,6 V
ASi operating current		50 mA
ASi auxiliary voltage	IEC 60742, PELV	24 V -15% ... +10%
ASi auxiliary current		480 mA
Degree of contamination (external, according to EN 60947-1)		3
ASi slave type		
According to ASI specification 2.1		EA code: 7
According to ASI specification 2.1		ID code: B
ASi data in		
According to As-i Safety at Work		D0 [5]
According to As-i Safety at Work		D1 [6]
According to As-i Safety at Work		D2 [7]
According to As-i Safety at Work		D3 [8]
ASi data out		
Guard locking solenoid		D0 [9]
LED red		D1 [10]
LED green		D2 [11]
ASi LED		
LED green		Power [12]
LED red		Fault [13]
Safety class	EN IEC 61140	III

### Miscellaneous

For the approval according to UL the following applies	Operation only with UL class 2 power supply, or equivalent measures see operating instructions
--	--

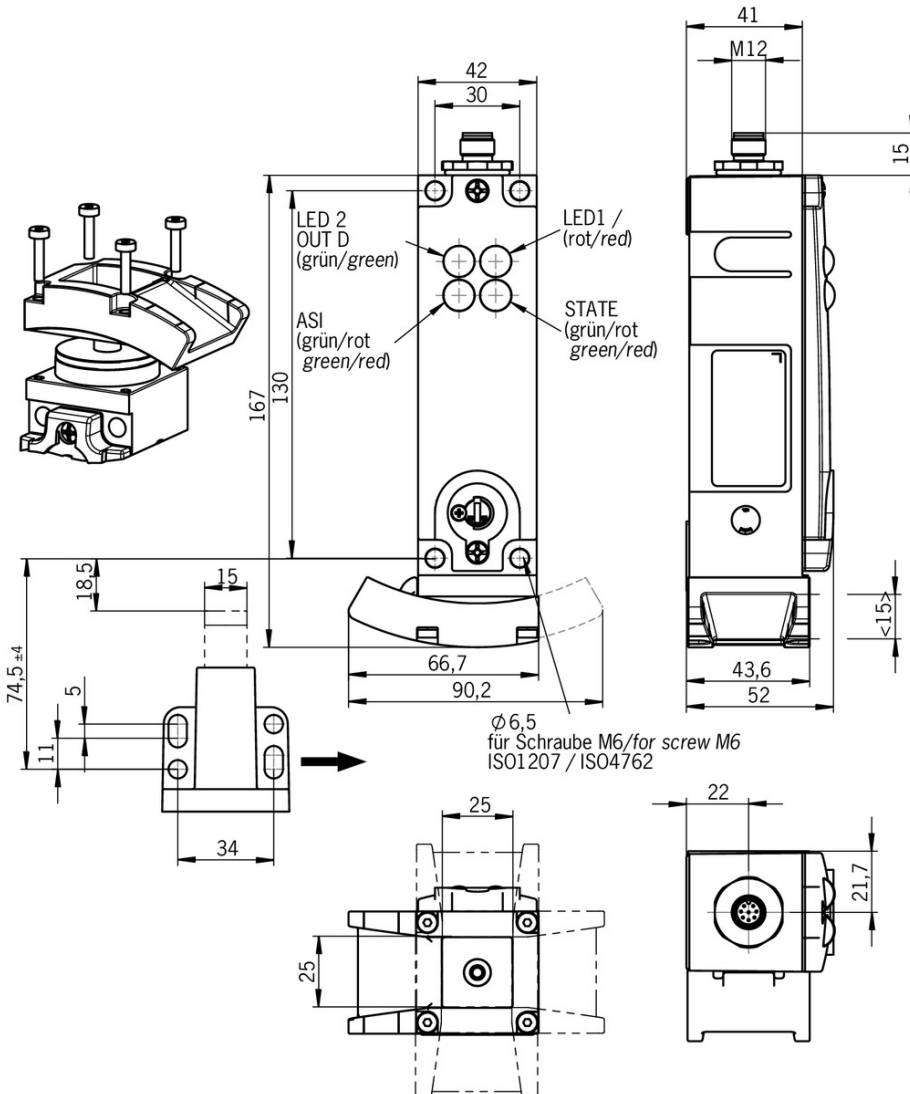
### Reliability values acc. to EN ISO 13849-1

Performance Level	PL e
Category	
Head upward	3

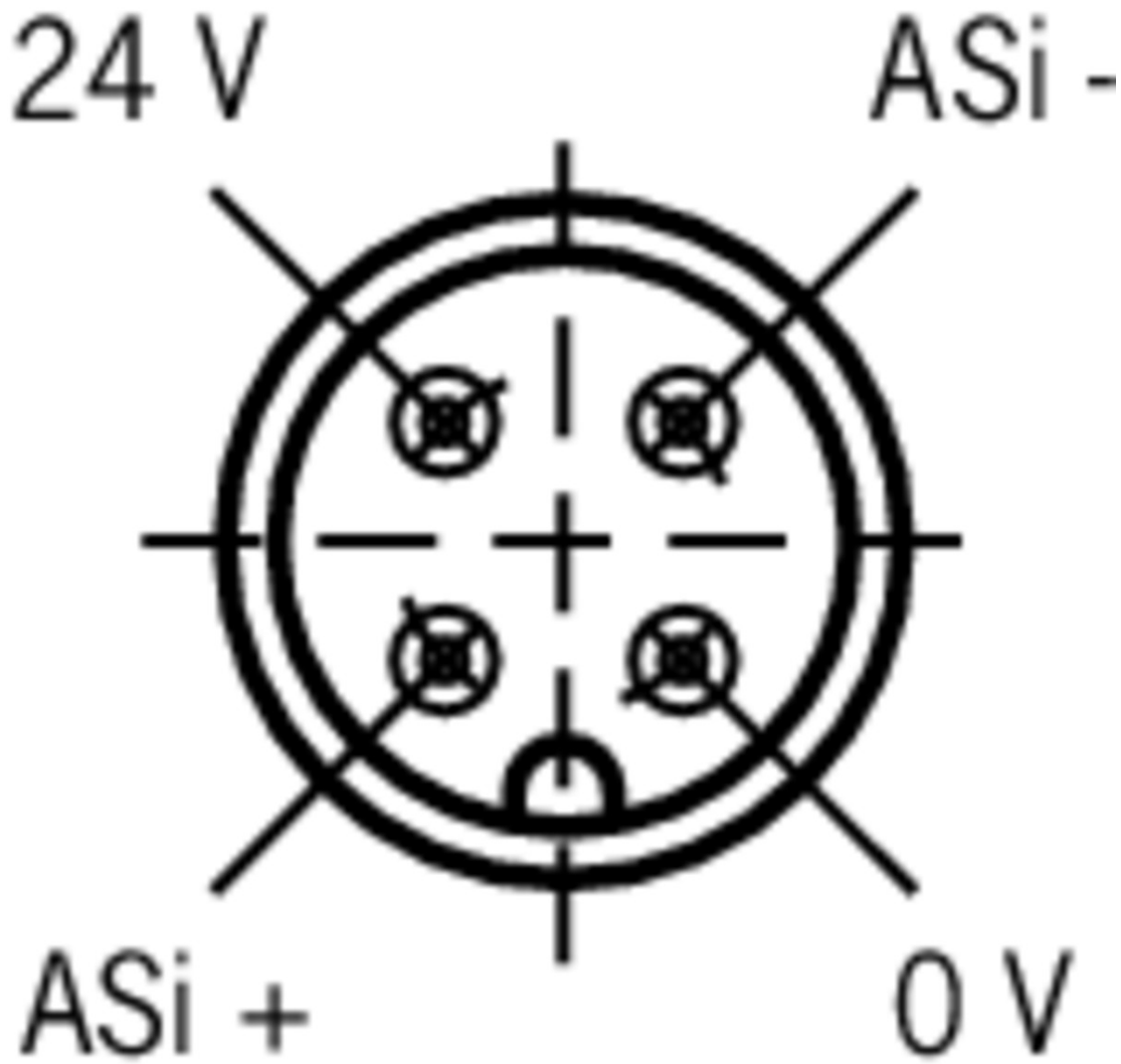
Head downward or horizontal	4
PFH <sub>D</sub>	
Head upward	$4.29 \times 10^{-8}$
Head downward or horizontal	$3.1 \times 10^{-9}$
Mission time	20 y

- [1] Screwed tight plug connector/mating component
- [2] Preferably head downward
- [3] 4-pin
- [4] FZH = FMAX/1.3
- [5, 6] Door position
- [7, 8] Guard locking
- [9] 1 = Solenoid energized
- [10, 11] 1 = LED on
- [12] ASI voltage is present
- [13] Offline phase or address 0

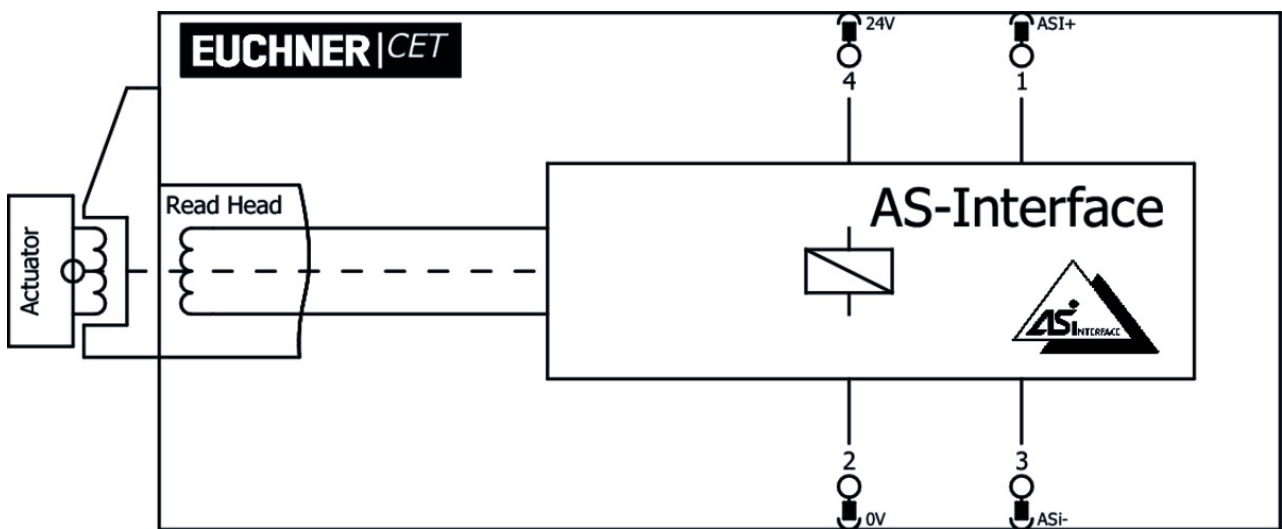
### Dimension drawing



Connector assignment



Block diagram



Function expansion

---

▼ Emergency unlocking for CET



**103714** NOTENTSPERRUNG CET

---

▼ Mechanical key release for CET read head/switch



**098850** SCHLUESSEL-HILFSENTRIEGELUNG

▼ Features

- › Identical locking
- › Key removable in “unlocked” and “locked” positions

---

▼ Cover for read head and actuator CET



**098808** CET ABDECKUNG RECHTS

▼ Features

- › Cover for read heads / safety switches CET and actuators CET
- › For approach direction A



**098807** CET ABDECKUNG LINKS

▼ Features

- › Cover for read heads / safety switches CET and actuators CET
- › For approach direction C

---

▼ Cover for actuator CET



**124979** AM-C-124979

▼ Features

- › Cover for actuator CET
- › Horizontal and vertical fastening option on the actuator
- › Mounting using 4 screws M5x16 (included with the actuator)
- › Not suitable in combination with lockout bar for actuator CET

---

▼ Lockout mechanism for CET actuator



**122609** AE-L-CET-122609

▼ Features

- › Prevents unintentional closing of the door
- › Can be secured with padlocks
- › Not suitable in combination with cover AM-C for actuator CET



**156429** AE-L-CET-156429

▼ Features

- › Prevents unintentional closing of the door
- › Can be secured with padlocks

---

▼ Extension of the escape release CET



**127377** AF-E-80-127377

▼ Features

- › Extension of the CET escape release by 30, 50 or 80 mm
- 

▼ Holder for lockout mechanism CET actuator



**156338** Y-CHN-A1-156338

▼ Features

- › Holder (incl. wire rope) for lockout bar CET
- 

▼ Lockout bar and holder for CET actuators



**155865** AE-SET-LCHN-A1-155865

▼ Features

- › Prevents unintentional closing of the door
  - › Can be secured with padlocks
- 

## Actuator

---

▼ Actuator CET-A-BWK-50X



**096327** CET-A-BWK-50X

▼ Features

- › Actuator for read head/safety switch CET
  - › Four safety screws M5x16 included
- 

## Bolt

---

▼ Bolt CET-A-C



**104309** RIEGEL CET-A-C

▼ Features

- › Steel bolt
  - › In combination with CET
  - › For left or right hinged doors
  - › Can be locked in open position with padlocks
- 



**109672** RIEGEL CET-A-C-C2308

▼ Features

- › Steel bolt
  - › In combination with CET
  - › For left or right hinged doors
  - › Can be locked in open position with padlocks
  - › Bolt without door stop, suitable for swing doors
- 

## Mounting accessories

---

▼ Mounting plate EMP-L-... for CET read head/switches



### **106695** EMP-L-CET

#### ▼ Features

- › Mounting plate for CET read heads/switches
  - › For hinged or sliding doors
  - › Suitable for aluminum profiles 40 ... 45 mm
  - › Horizontal and vertical mounting
  - › Suitable for CET with escape release
- 

#### ▼ Safety screws M4 x 14

### **074063** M4X14/V100

#### ▼ Features

- › Safety screws M4 x 14
  - › Packaging unit 100 pieces
- 

#### ▼ Mounting plate EM-P switch for safety switch CET



### **126399** AM-P-126399

#### ▼ Features

- › Mounting plate for CET read heads/switches
  - › Direct mounting on aluminum profiles of width 30/40/50 mm
  - › Suitable for the mounting plates AM-P-126400 and AM-P-126398
- 

#### ▼ Mounting plate EM-P actuator for safety switch CET



### **126400** AM-P-126400

#### ▼ Features

- › Mounting plate for CET actuator
  - › Suitable for mounting on aluminum profiles of width 30/40/50 mm
  - › Suitable for the mounting plates AM-P-126399 and AM-P-126398
- 

#### ▼ Mounting plate EM-P handle for safety switch CET



### **126398** AM-P-126398

#### ▼ Features

- › Mounting plate with handle (handle included)
  - › For hinged or sliding doors
  - › Horizontal and vertical assembly circuits possible
  - › Suitable for aluminum profiles of width 30/40/50 mm
  - › Suitable for the CET mounting plates AM-P-126399 and AM-P-126400
- 

#### ▼ Mounting plate EMP-B-... for actuator CET



### **106694** EMP-B-CET

#### ▼ Features

- › Mounting plate for actuator CET for hinged or sliding doors
  - › Suitable for aluminum profiles 40 ... 45 mm
  - › Horizontal and vertical mounting
  - › Made of aluminum
-



## Connection material

### Bus coupling module with plug connector M12, 5-pin



**105756** BCM-A-P2-SEM4-1

#### Features

- › Conversion from M12 to ribbon cable
- › Very compact design
- › Easy handling

## Instructions

### Operating Instructions Safety Switch CET.-AS-...-AB-... (Unicode)

	Doc. no.	Version	Language	Download
Betriebsanleitung Sicherheitsschalter CET.-AS-...-AB-... (Unicode)	113689	03-10/13		1.3 MB
Operating Instructions Safety Switch CET.-AS-...-AB-... (Unicode)	113689	03-10/13		1.3 MB

### Sicherheitsinformation und Wartung CET.-AS/CTP.-AS

	Doc. no.	Version	Language	Download
Sicherheitsinformation und Wartung CET.-AS/CTP.-AS	113769	03-11/15		0.3 MB
Safety Information and Maintenance CET.-AS/CTP.-AS				

## Catalogs

### Sicherheitsschalter mit AS-Interface Safety Switches with AS-Interface Interrupteurs de sécurité avec AS-Interface

	Doc. no.	Version	Language	Download
Sicherheitsschalter mit AS-Interface	092164	11-04/17		2.3 MB
Interrupteurs de sécurité avec AS-Interface	112564	11-04/17		2.3 MB
Safety Switches with AS-Interface	092332	11-04/17		2.3 MB

## Declaration of conformity

### EU-Konformitätserklärung

	Doc. no.	Version	Language	Download
EU-Konformitätserklärung	2110802	10-01/17		0.3 MB
Declaración UE de conformidad				
Déclaration UE de conformité				
Dichiarazione di conformità				
EU declaration of conformity				

## CAD data

CAD data for this item on TraceParts