

ITEM 094167 NZ1HS-3131-M-EX

Description	Technical data	Accessories	Downloads
-------------	----------------	-------------	-----------



Features

- › ATEX version
- › Version A according to EN 50041(steel roller \varnothing 18 mm)
- › Suitable for usage in zone 2 and 22 (gases and dusts)
- › Cable entry M20 x 1.5

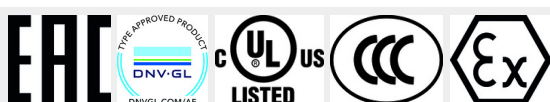
Switching direction

- › Right, left or both sides

Switching element

3131H Slow-action switching contact 2 NC \ominus + 2 NO

Approvals



Mechanical values and environment

Housing material	Anodized die-cast alloy
Weight	Approx. 0,3 kg
Ambient temperature	-25 ... 80 °C
Degree of protection	IP67
Mechanical life	30 x 10 ⁶
Contact material	Silver alloy, gold flashed
Switching principle	Slow-action switching contact
Installation position	Any
Number of door position positively driven contacts	2
Number of NO contacts	2
Connection	1 x Cable gland M20 x 1.5
Clamping range for cable	6,5 ... 12 mm
Approach speed	0,1 ... 60 m/min
Actuating element	Plain bearing metal Lever arm [1]
Actuation frequency	1200 1/h
Actuating force	At 20°C 30 N

Electrical connection ratings

Rated thermal current I _{th}	4 A
Utilization category according to EN 60947-5-1	AC-15 4A 50V DC-13 4A 24V
Short circuit protection according to IEC 60269-1	(Fuse) 4A gG
Rated insulation voltage U _i	50 V
Rated impulse withstand voltage U _{imp}	2,5 kV
Switching voltage	12 V
Switching current	Min. at DC 24V 1 mA
Connection cross-section	0,34 ... 1,5 mm ²

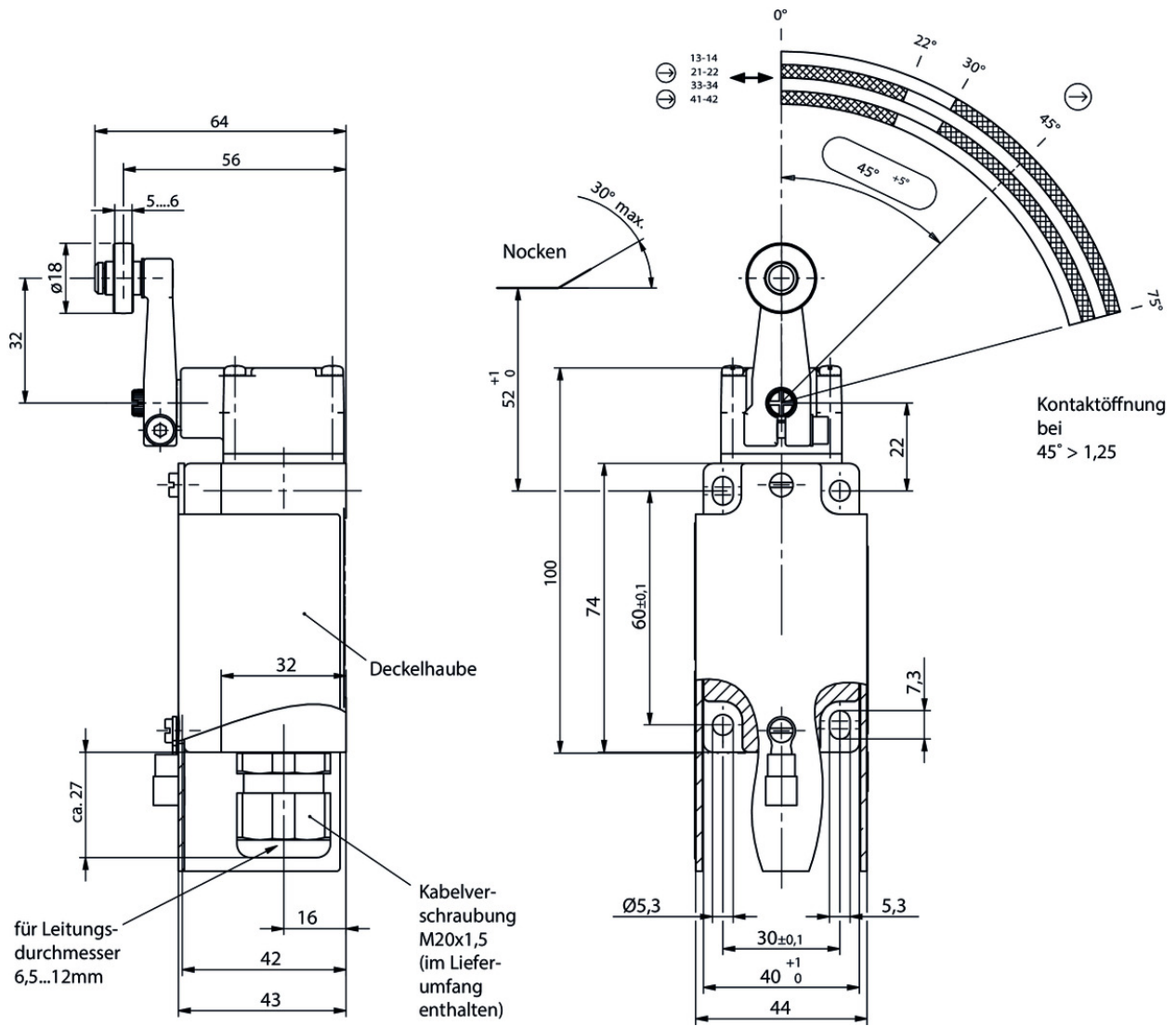
Miscellaneous

Explosion protection	incl. cable gland II3G Ex nR IIB T5 Gc X / II3D Ex tc IIIC T90°C Dc
----------------------	---

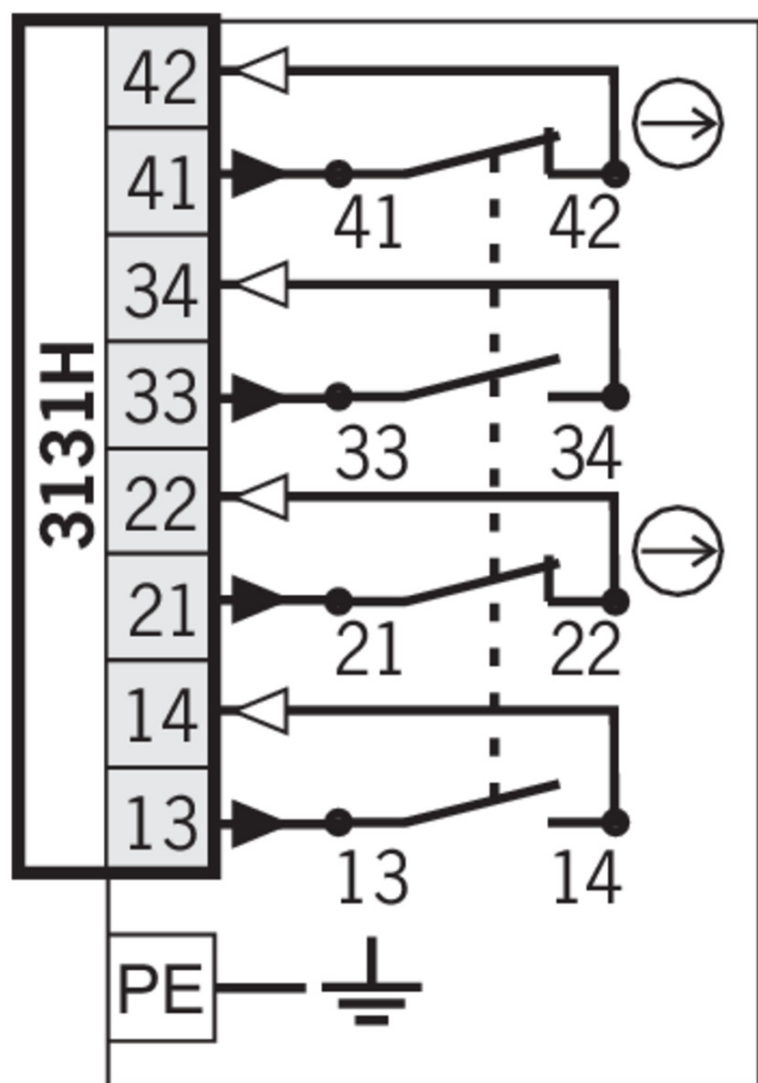
Reliability values acc. to EN ISO 13849-1

[1] d roller = 18 mm, length 32 mm

Dimension drawing



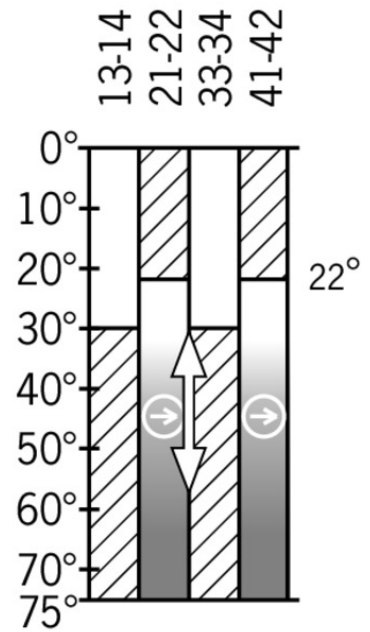
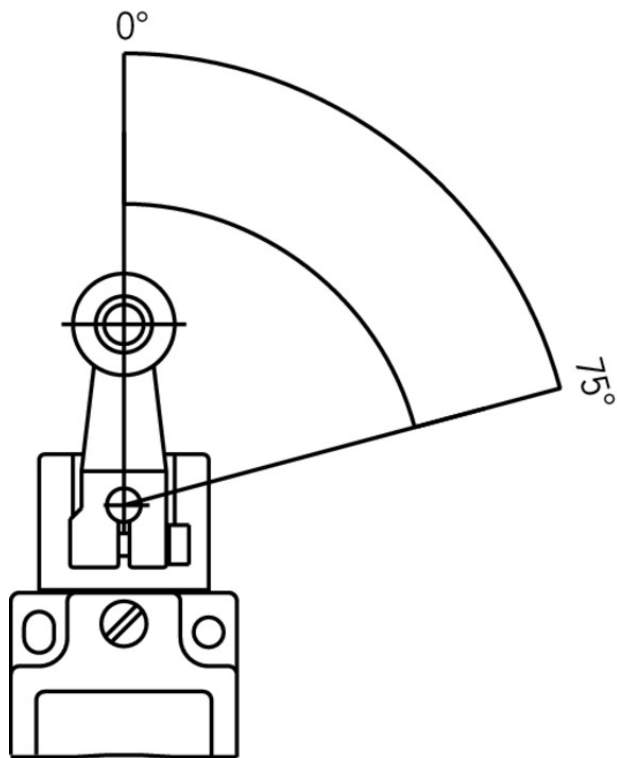
3131H






Travel diagram

NZ...HS
NZ...HB

3131H



Legende

-  Contacts closed
-  Contacts open
-  Contacts positively driven

Spare parts

- Lever arm with steel roller




012043 NHS ROLLENHEBEL

- Features

- › Steel roller Ø18mm

Instructions

▼ Betriebsanleitung Sicherheitsschalter NZ.H...EX

	Doc. no.	Version	Language	Download
Betriebsanleitung Sicherheitsschalter NZ.H...EX Operating Instructions Safety Switches NZ.H...EX	2094175	14-02/18	 	 0.9 MB







Catalogs

▼ ATEX - Sicherheitsschalter für explosionsgefährdete Bereiche ATEX - Safety switches for potentially explosive atmospheres ATEX - Interrupteurs de sécurité pour atmosphères explosibles ATEX - Interruptores de seguridad para uso en atmósferas potencialmente explosivas

	Doc. no.	Version	Language	Download
ATEX - Sicherheitsschalter für explosionsgefährdete Bereiche	136804	03-04/17		 1.5 MB
ATEX - Interrupteurs de sécurité pour atmosphères explosibles	136806	03-04/17		 1.5 MB
ATEX - Interruptores de seguridad para uso en atmósferas potencialmente explosivas	136807	03-04/17		 1.5 MB
ATEX - Safety switches for potentially explosive atmospheres	136805	03-04/17		 1.0 MB

Declaration of conformity

▼ EU-Konformitätserklärung

	Doc. no.	Version	Language	Download
EU-Konformitätserklärung Declaración UE de conformidad Déclaration UE de conformité Dichiarazione di conformità EU declaration of conformity	2093482	13-06/16	    	 0.3 MB

CAD data

CAD data for this item on TraceParts