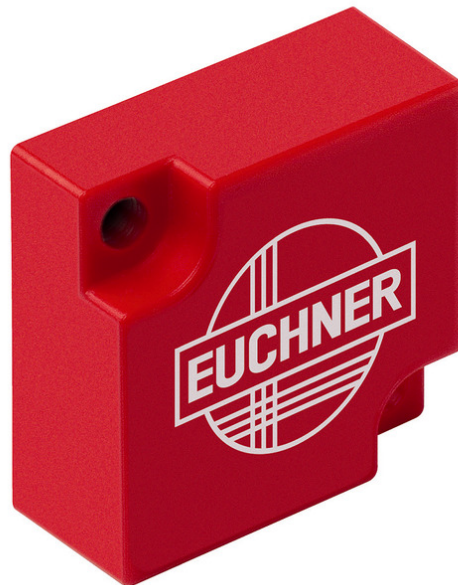


## ITEM 102125 CES-A-BPA-EX

| Description | Technical data | Accessories | Downloads |
|-------------|----------------|-------------|-----------|
|-------------|----------------|-------------|-----------|



### Features

- › ATEX version
- › Suitable for usage in zone 2 and 22 (gases and dusts)
- › Cube-shaped design 40 x 40 mm

### Approvals



### Components included in the set

Supplied accessories

2x safety screws M5x10

### Mechanical values and environment

|                       |                                |
|-----------------------|--------------------------------|
| Housing material      | Plastic (PBT)                  |
| Weight                | 0,025 kg                       |
| Ambient temperature   | -25 ... 70 °C                  |
| Degree of protection  | IP67 / IP69K                   |
| Installation position | Active face opposite read head |
| Tightening torque     |                                |
| Fixing screws         | max.1 Nm                       |

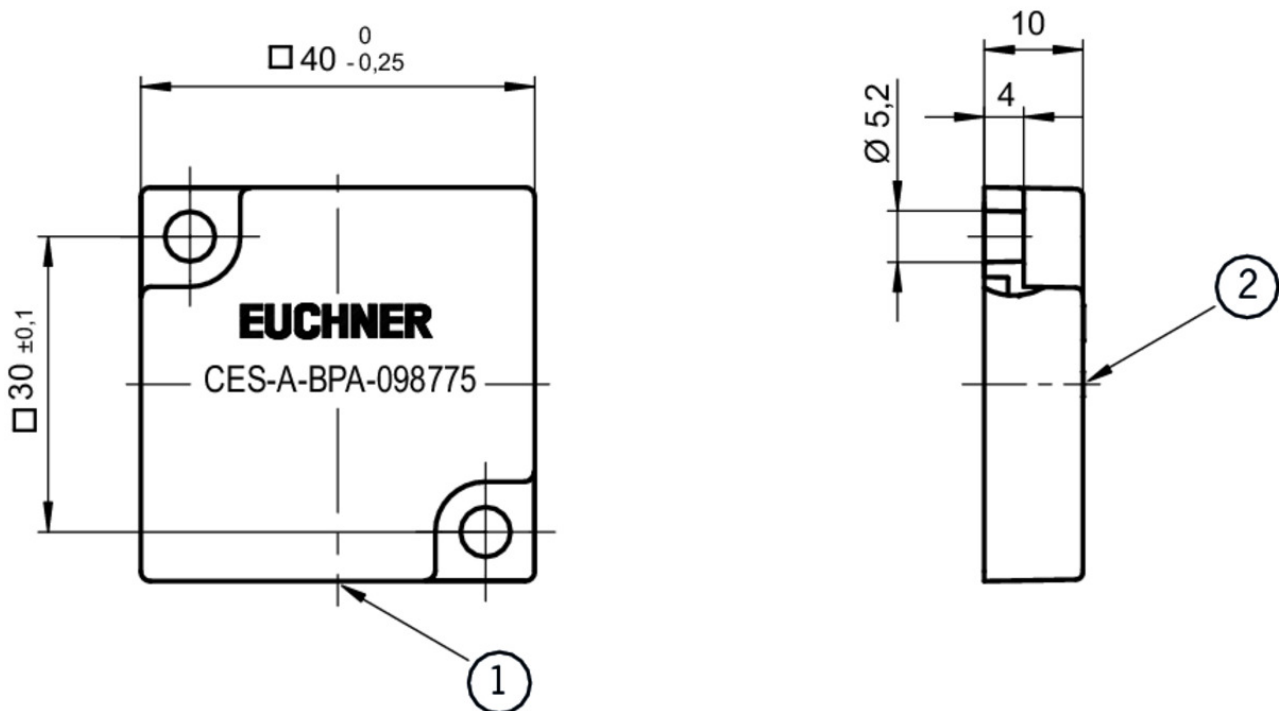
### Electrical connection ratings

|              |                         |
|--------------|-------------------------|
| Power supply | Inductive via read head |
|--------------|-------------------------|

### Miscellaneous

|                      |  |
|----------------------|--|
| Explosion protection | Ex II 3G Ex nL II C T70°C / Ex II 3D Ex tD A 22T70°C |
|----------------------|--|


### Dimension drawing



### Catalogs

- ▼ ATEX - Sicherheitsschalter für explosionsgefährdete Bereiche ATEX - Safety switches for potentially explosive atmospheres ATEX - Interrupteurs de sécurité pour atmosphères explosibles ATEX - Interruptores de seguridad para uso en atmósferas potencialmente explosivas

|  | Doc. no. | Version  | Language  | Download   |
|--|----------|----------|---|--|
| ATEX - Sicherheitsschalter für explosionsgefährdete Bereiche                       | 136804   | 03-04/17 |  |  1.5 MB |
| ATEX - Interrupteurs de sécurité pour atmosphères explosibles                      | 136806   | 03-04/17 |  |  1.5 MB |
| ATEX - Interruptores de seguridad para uso en atmósferas potencialmente explosivas | 136807   | 03-04/17 |  |  1.5 MB |
| ATEX - Safety switches for potentially explosive atmospheres                       | 136805   | 03-04/17 |  |  1.0 MB |

 **Transpondercodierte Sicherheitsschalter - Verriegelungseinrichtungen und Zuhaltungen**  
 Transponder-coded safety switches - Interlocking devices and guard locking devices  
 Interruptores de seguridad con codificación por transponder - Dispositivos de enclavamiento y bloqueos  
 Interrupteurs de sécurité à codage par transpondeur - Dispositifs de verrouillage et interverrouillages

|   | Doc. no. | Version  | Language  | Download   |
|---|----------|----------|---|--|
| Transpondercodierte Sicherheitsschalter - Verriegelungseinrichtungen und Zuhaltungen                    | 127594   | 02-01/18 |    |  5.2 MB   |
| Interrupteurs de sécurité à codage par transpondeur - Dispositifs de verrouillage et interverrouillages | 137558   | 02-01/18 |    |  5.2 MB   |
| Interruptores de seguridad con codificación por transponder - Dispositivos de enclavamiento y bloqueos  | 137560   | 02-01/18 |    |  5.2 MB   |
| Transponder-coded safety switches - Interlocking devices and guard locking devices                      | 127595   | 02-01/18 |  |  5.1 MB |

### CAD data

CAD data for this item on TraceParts