

ITEM 087220 N1AW508LE060-M

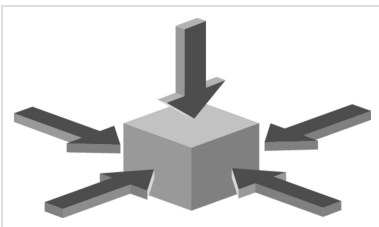
Description	Technical data	Accessories	Downloads
-------------	----------------	-------------	-----------



Features

- › Housing according to DIN 43693
- › LED optional

Approach direction



- › Figure
Horizontal and vertical

Low temperature

Version C2222 with silicone membrane and low temperature grease.

LED function display(optional)

A function display is available for the following voltage ranges:

- › AC/DC 12-60 V red
- › DC 24 V side red or yellow
- › AC 110 V $\pm 15\%$ red
- › AC 230 V $\pm 15\%$ red

Switching element

508 Slow-action switching contact 1 NC \ominus

\triangle To achieve the positively driven travel, the dimension $\overline{12.05}$ must be maintained by the trip dog. Actuating elements such as dog approach guides must be firmly mounted in accordance with EN ISO 14119, i.e. riveted, welded or otherwise secured against becoming loose.

Approvals



Mechanical values and environment

Design		Housing according to DIN 43693
Housing material		Anodized die-cast alloy
Weight	Net	0,25 kg
Ambient temperature		-25 ... 80 °C
Degree of protection		IP67
Mechanical life		30×10^6
Contact material		Silver alloy, gold flashed
Switching principle		Slow-action switching contact
Installation position		Any
Number of switching elements		1
Number of positively driven contacts		1
Connection	2 x	M16 x 1.5
Approach speed	max.	0,01 ... 10 m/min
Actuating element		Dome plunger
Actuating force		min.15 N

Electrical connection ratings

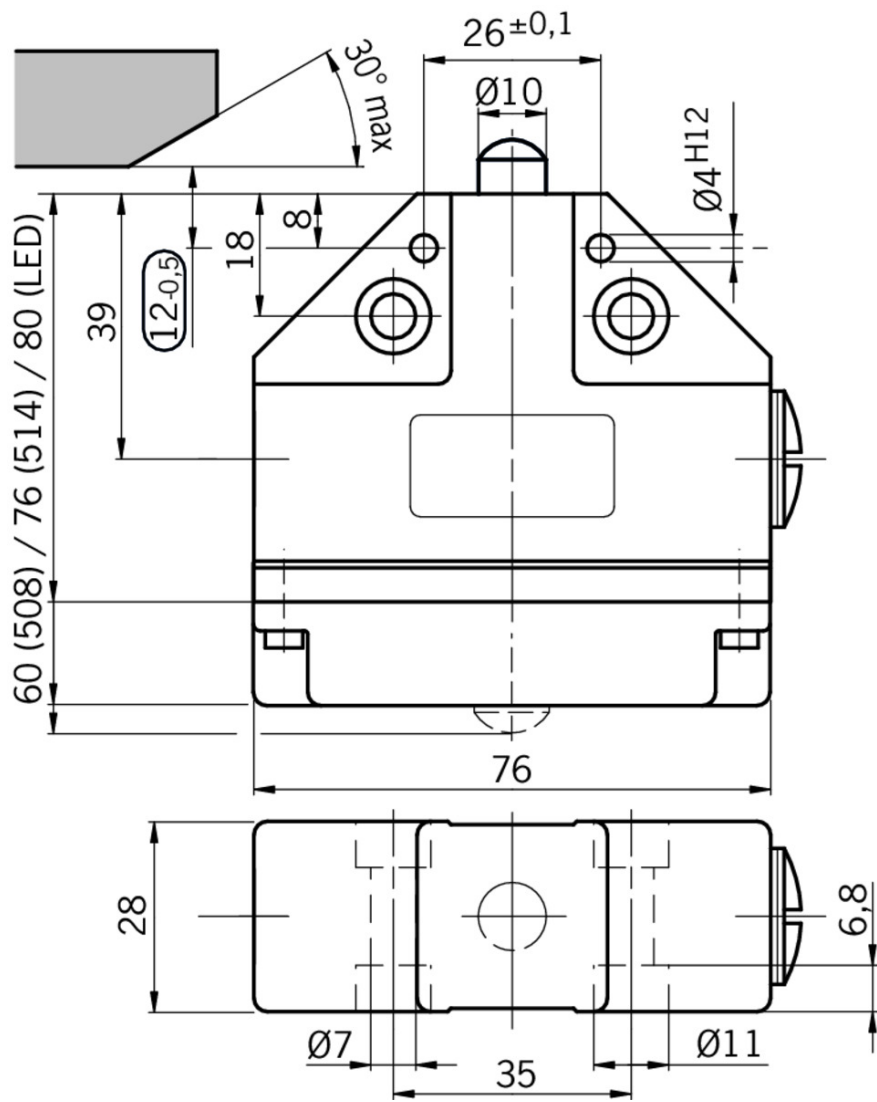
Rated thermal current I_{th}		10 A
Utilization category according to EN 60947-5-1		
	AC-15	6A 230V
	DC-13	6A 24V

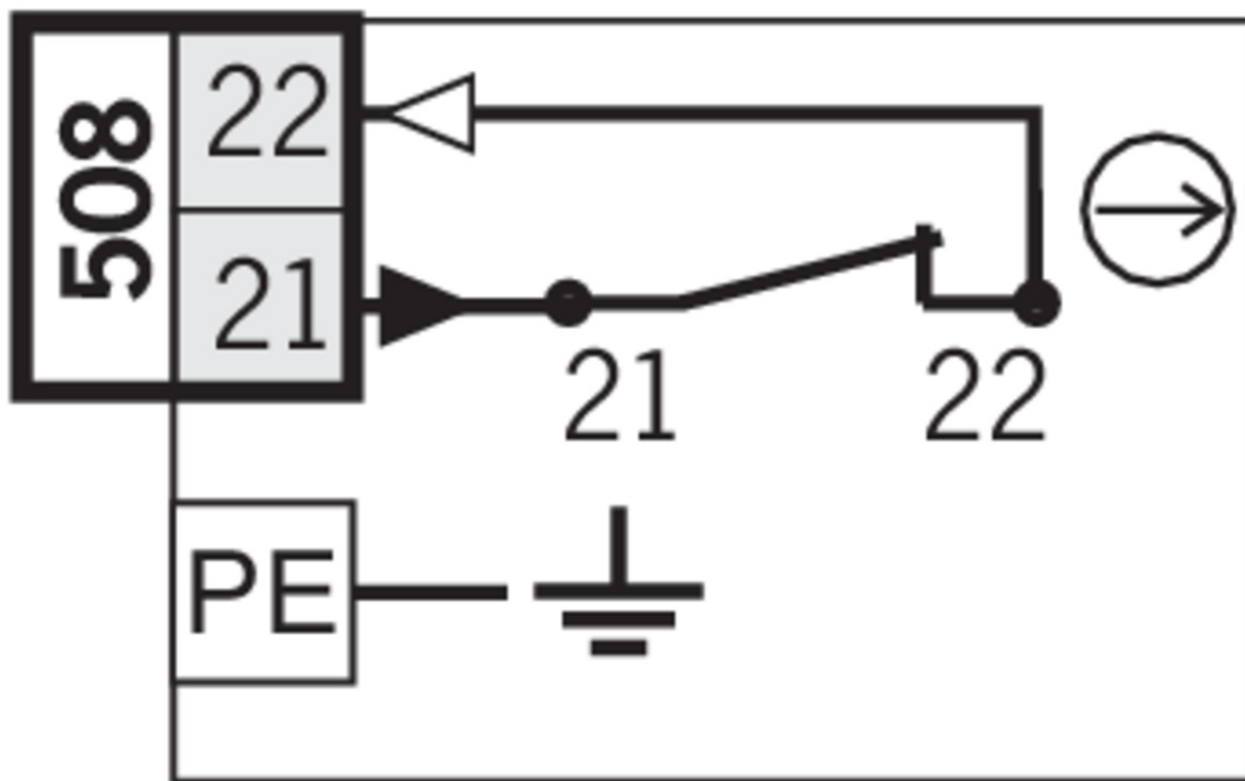
Short circuit protection according to IEC 60269-1	
(Fuse)	10A gG
Rated insulation voltage U_i	250 V
Rated impulse withstand voltage U_{imp}	4 kV
Switching current	
Min. at DC 24V	10 mA
Connection cross-section	0,34 ... 1,5 mm ²
Display module	
AC/DC	12 ... 60 V 60 V LED

Reliability values acc. to EN ISO 13849-1

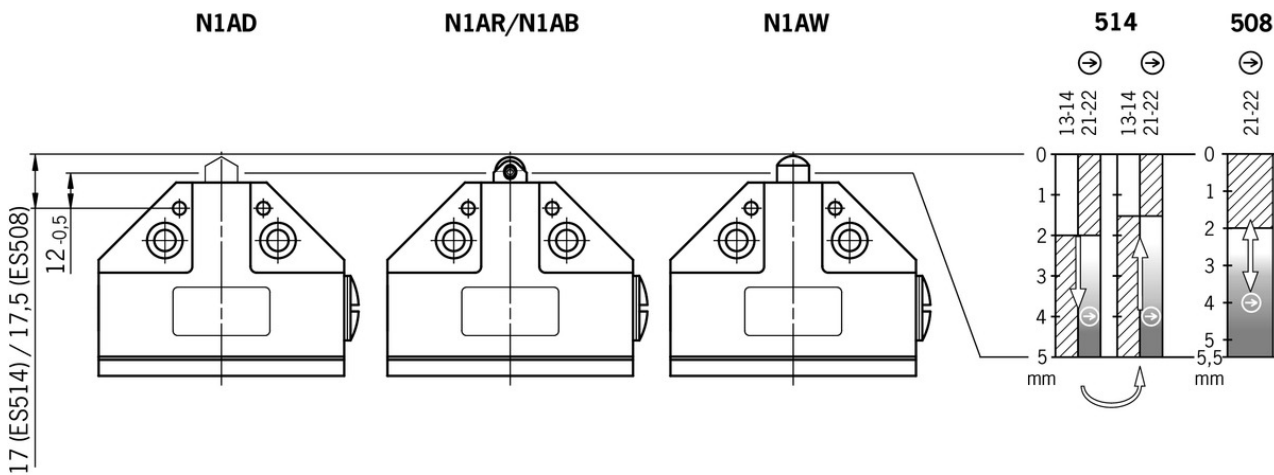
	Monitoring of the safety guard position
B10 _D	20 x 10 ⁶

Dimension drawing





Travel diagram



Legende

- Contacts closed
- Contacts open
- Contacts positively driven

▼ Cable glands M16x1.5



086328 EKVM16/04



086330 EKVM16/06



084572 EKPM16/05

Function expansion

▼ LED function display N1A

035495 LE060RT

Instructions

▼ Manual de instrucciones Finales de carrera unitarios de precisión N1A

	Doc. no.	Version	Language	Download
Betriebsanleitung Präzisions-Einzelgrenzta- ster N1A Operating Instructions Precision Single Limit Switches N1A	2032309	12-01/18	 	0.8 MB
Mode d'emploi Monopistes de précision N1A	2032309	12-01/18		0.4 MB
Manual de instrucciones Finales de carrera unitarios de precisión N1A	2032309	12-01/18		0.4 MB
Istruzioni di impiego Finecorsa di precisione singoli N1A	2032309	12-01/18		0.4 MB

Catalogs

▼ Sicherheitsschalter mit Metallgehäuse Safety Switches with Metal Housing Bezpečnostní spínače
s kovovým pouzrdem Interrupteurs de sécurité avec boîtier métallique 金属壳体 的安全开关
Interruptores de seguridad con carcasa metálica

	Doc. no.	Version	Language	Download
Sicherheitsschalter mit Metallgehäuse	100319	11-03/18		7.9 MB
Interrupteurs de sécurité avec boîtier métallique	100676	11-03/18		7.9 MB
Interruptores de seguridad con carcasa metálica	104856	11-03/18		14.0 MB
Safety Switches with Metal Housing	100369	11-03/18		7.9 MB
Bezpečnostní spínače s kovovým pouzrdem	121650	11-03/18		7.9 MB



Declaration of conformity

EU prohlášení o shodě

	Doc. no.	Version	Language	Download
EU-Konformitätserklärung	2077153	25-02/17		0.3 MB
Declaración UE de conformidad				
Déclaration UE de conformité				
Dichiarazione di conformità				
EU declaration of conformity				
EU prohlášení o shodě	2077153	25-02/17		0.5 MB
EU-overensstemmelseserklæring				
Δήλωση συμμόρφωσης της ΕΕ				
EU-vaatimustenmukaisuusvakuutus				
EU-típusbizonyítvány				
EU-conformiteitsverklaring				
Deklaracja zgodności UE				
Declaração de Conformidade UE				
Declarația de conformitate UE				
EÚ vyhlásenie o zhode				

CAD data

CAD data for this item on TraceParts