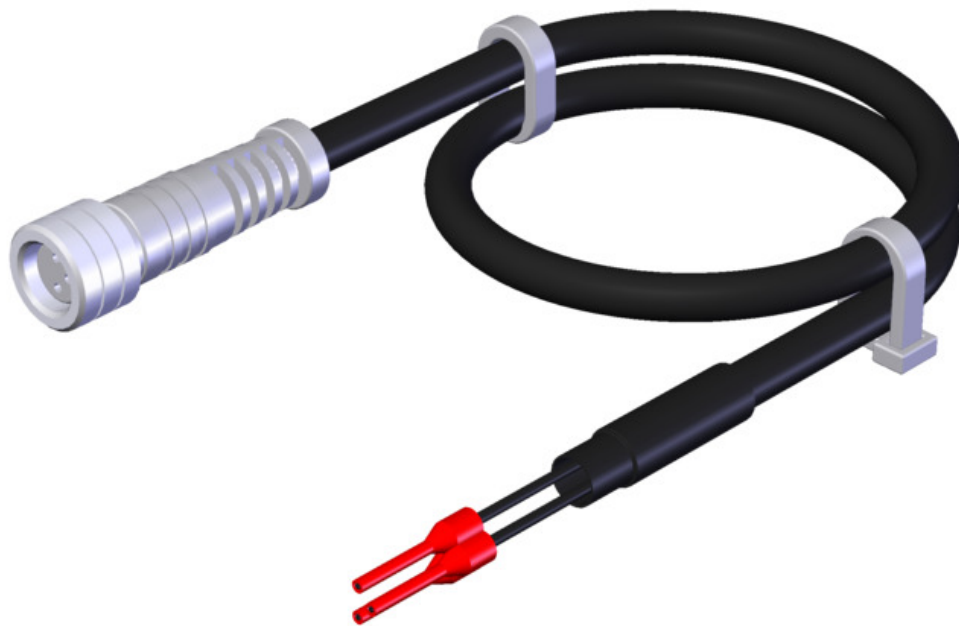


ITEM 084767 C-M08F03-02X025PU50,0-ES-084767

Description	Technical data	Accessories	Downloads
-------------	----------------	-------------	-----------



Features

- › M8 female plug, 3-pin
- › Straight plug connector
- › PUR cable
- › Cable length 50 m
- › With flying lead

Mechanical values and environment

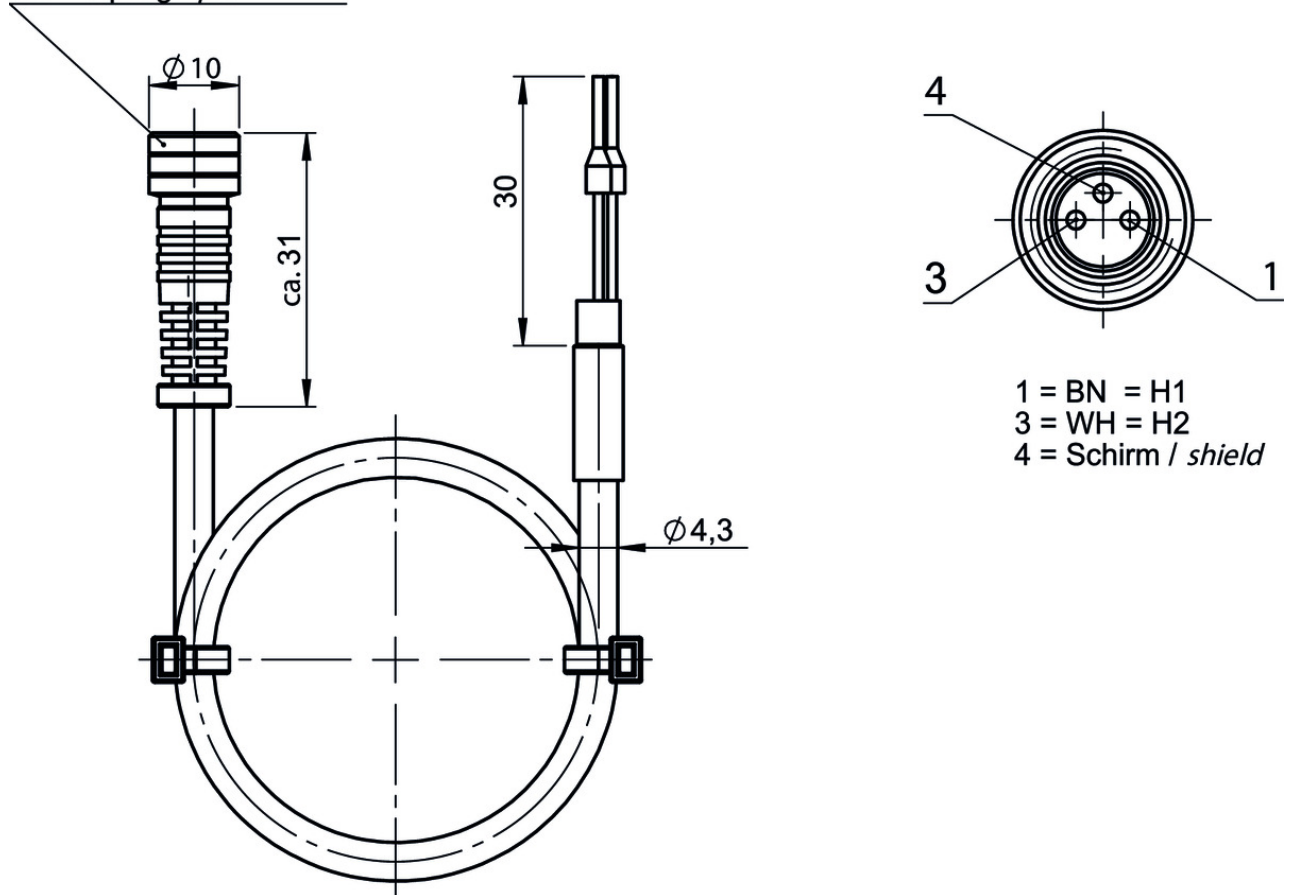
Tightening torque	0,4 Nm
Number of conductors	2
Cable length	50 m

Electrical connection ratings

Rated voltage	60 V
Rated surge voltage according to IEC 60664-1	1500 V

Dimension drawing

M8 - 3 polig / pin

**CAD data**

CAD data for this item on TraceParts