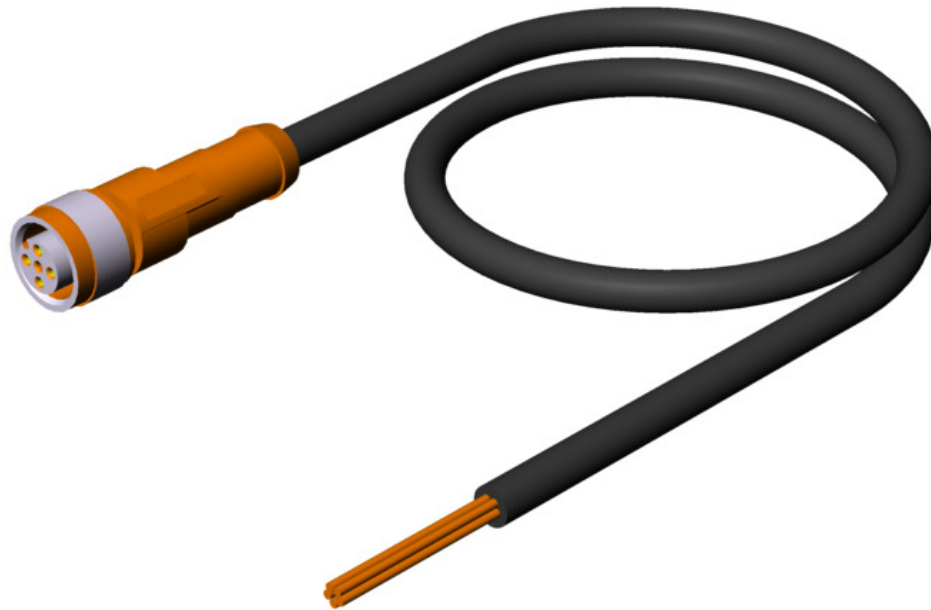


ITEM 124054 C-M12F05-05X034PU25,0-MA-124054

Description	Technical data	Accessories	Downloads
-------------	----------------	-------------	-----------



Features

- › M12 female plug, 5-pin
- › Straight plug connector
- › PUR cable
- › Cable length 25 m

Approvals



Mechanical values and environment

Sheath material	PUR
Conductor insulation material	PP
Conductor material	Bare Cu flexible wire
Fire behavior	Flammability class according to UL 94 HB

Halogen-free	Yes [1]
Resistance to media	Resistant to hydrolysis and microbes
Drag chain suitability	Yes
UV resistance	Limited UV resistance according to DIN EN ISO 4892-2-A
Ambient temperature	
static	-40 ... +80 °C
Dynamic	-25 ... +80 °C
Designation of plug connector	Socket M12x1, straight, screened [2]
Number of conductors	5
Cable length	25 m
Cable diameter	
Approx.	5,9 mm
Conductor cross-section	0.34 mm ²
Conductor identification	Color code
Sheath color	Black
Bending radius	
static	29.5 mm
Dynamic	59 mm (to +60°C)
	Connection 1
Degree of protection	IP67 [3]
Plug lock material	Die-cast zinc, nickel-plated
Insertion cycles	min.100
Connection	Plug connector M12x1, A-coded
Connection type	Socket
Cable outlet	straight
Number of pins	5
Plug lock	Screw connection [4]
Plug housing material	TPU [5]
	Connection 2
Conductor end	Sheath stripped 50mm
Connection	Flying lead

Electrical connection ratings

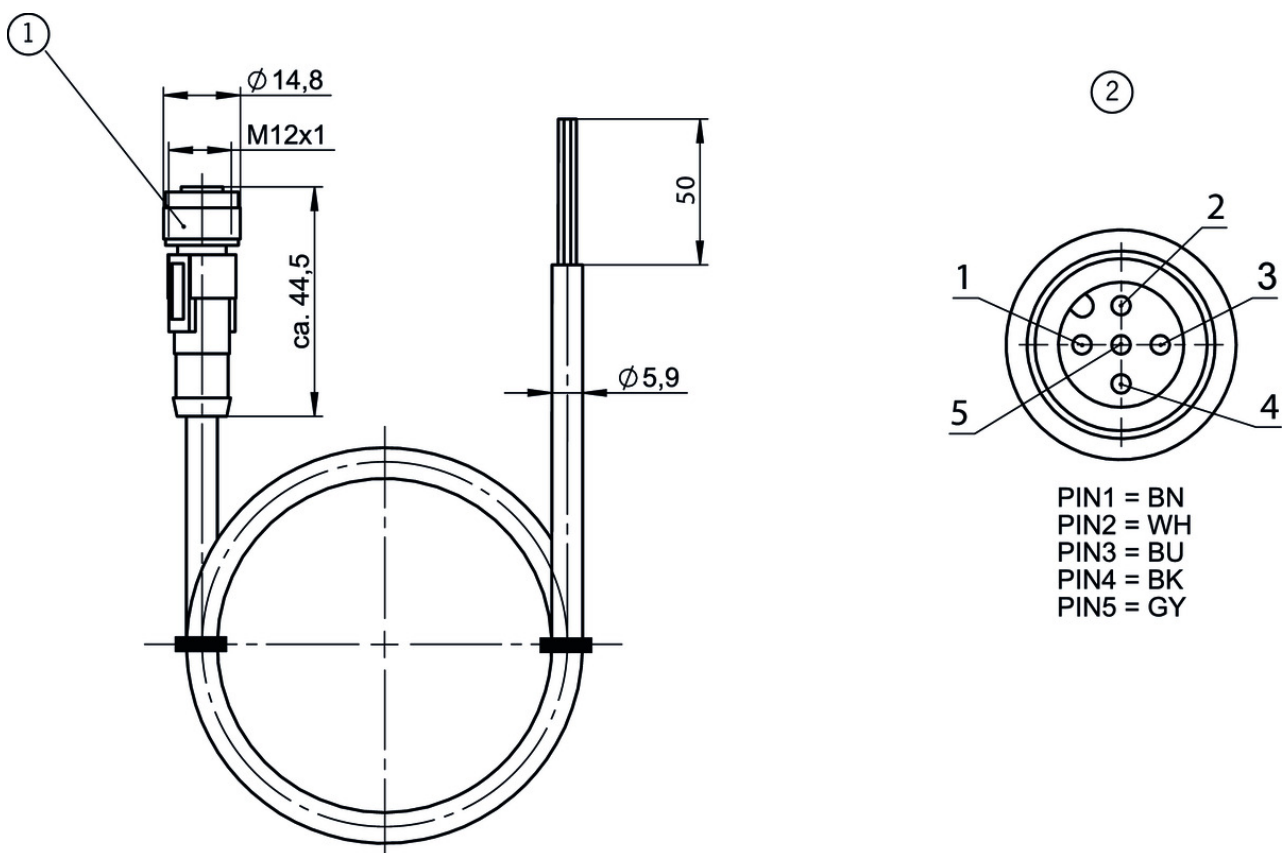
Rated voltage		
Cable	300 V (at 20°C)	
Nominal current		
At 40°C	4 A	
Rated voltage	60 V	
Overvoltage category according to IEC EN 60664-1	II	
Degree of contamination according to EN 60664-1	3	
Specific cable resistance	(at 20°C)max.57 Ω/km	
Cable shielding	Yes [6]	

Test voltage

Core/core 3 kV (at 20°C)

- [1] According to DIN VDE 0472 part 815
- [2] Phoenix Contact
- [3] In the screwed tight state
- [4] 0.4 Nm
- [5] Low flammability, self-extinguishing
- [6] Braid, tinned Cu, coverage 85%

Dimension drawing



Legende

- 1 Female plug M12, 5-pin
- 2 Terminal assignment as seen from the connection side