

ITEM 124721 AM-C-124721

Description	Technical data	Accessories	Downloads
-------------	----------------	-------------	-----------



Features

- › Cover for actuator CET
- › Horizontal fastening option on the actuator
- › Mounting using 4 screws M5x16 (included with the actuator)
- › Not suitable in combination with lockout bar for actuator CET

With the CET cover, tampering on the CET is effectively prevented. The cover prevents the use of simple tools to manually press up the spring-mounted guard locking pin (on the actuator).

The cover is not suitable in combination with the following CET actuator lockout bars: AE-L-CET-156429, AY-CHN-A1-156338, AE-SET-LCHN-A1- 155865, AE-L-CET-122609

Components included in the set

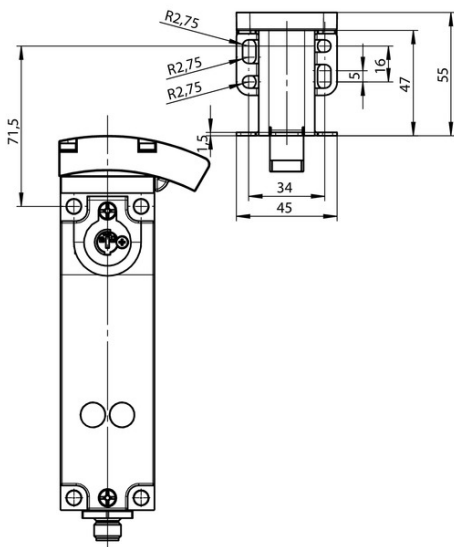
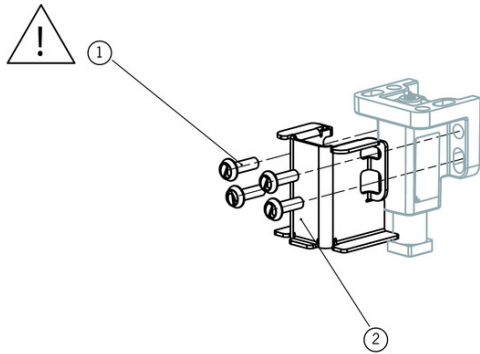
Supplied accessories

CET COVER

Mechanical values and environment

Material	1.4301 / stainless steel
Weight	Net 0,056 kg

Dimension drawing



Legende

- 1 Use safety screw M5x16 (included with the CET actuator)
- 2 The cover plate must not touch the CET slide.