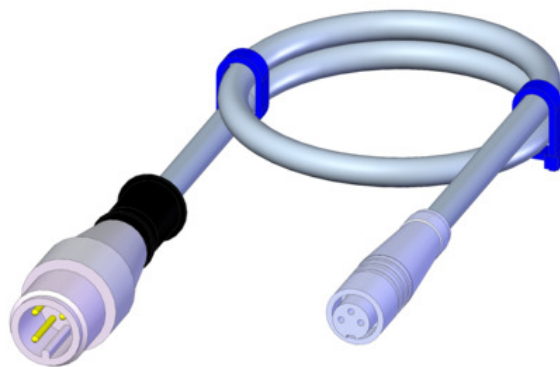


ITEM 111600 C-M12M03-03X034PU01,0-M08F03-111600

Description	Technical data	Accessories	Downloads
-------------	----------------	-------------	-----------



Features

- › M12 male plug, 3-pin
- › M8 female plug, 3-pin
- › Straight plug connector
- › PUR cable
- › Cable length 1 m

Mechanical values and environment

Sheath material	PUR
Conductor insulation material	PP
Conductor material	Cu-ETP1 bare
Fire behavior	Flame retardant according to UL-Style 2464
Halogen-free	Yes
Resistance to media	Good resistance to oil and chemicals, flexible at low temperatures
Drag chain suitability	Yes
Silicone-free	Yes

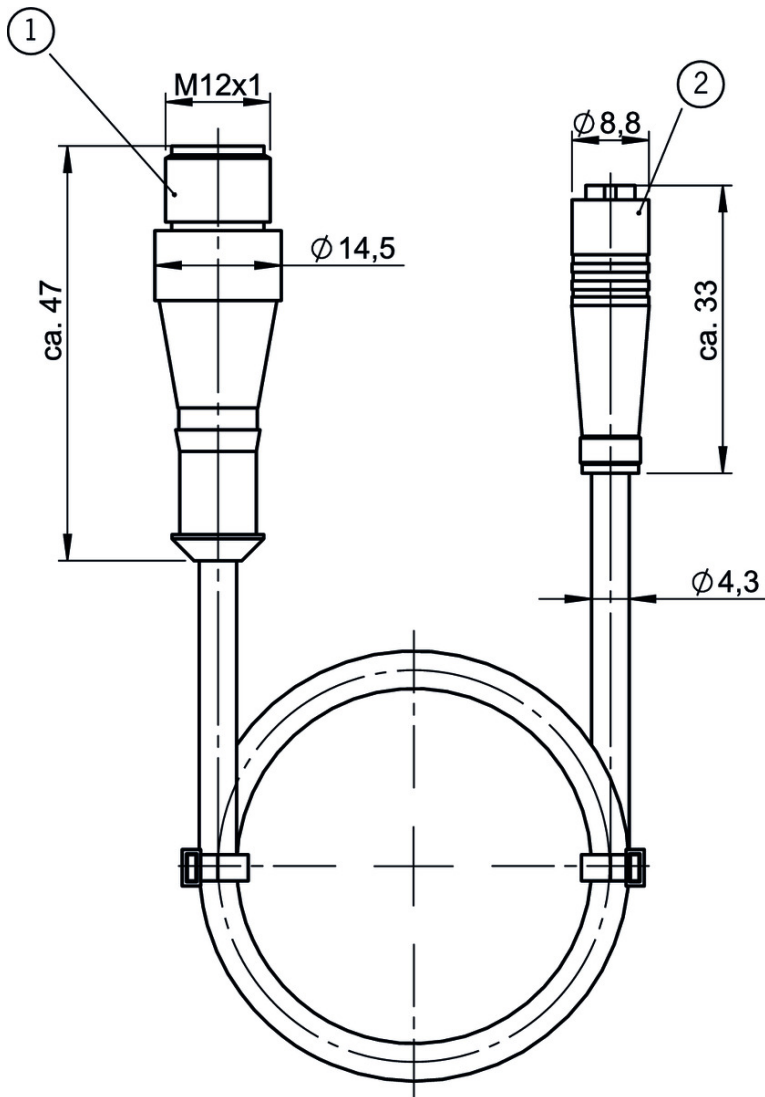
Ambient temperature	static	-25 ... +80 °C
	Dynamic	-25 ... +80 °C
Number of conductors		3
Type of cable		straight
Cable length		1 m
Cable diameter	Approx.	4,3 mm
Conductor cross-section		0.34 mm ²
Conductor identification		Color code
Sheath color		Black
Bending radius	static	5 x cable diameter
	Dynamic	10 x cable diameter
Connection 1		
Degree of protection		IP67 [1]
Plug lock material		CuZn, nickel-plated
Connection		Plug connectors M12x1
Connection type		Plug
Cable outlet		straight
Number of pins		3
Plug lock		Screw connection
Plug housing material		TPU
Connection 2		
Degree of protection		IP65 [2]
Plug lock material		CuZn, nickel-plated
Connection		Plug connector M8x1
Connection type		Socket
Cable outlet		straight
Number of pins		3
Plug lock		Snap-on
Plug housing material		TPU

Electrical connection ratings

Rated voltage		60 V
Nominal current	At 40° C	4 A
Rated voltage		63 V
Test voltage		1,5 kV
Connection 1		
Degree of contamination according to EN 60664-1		3
Connection 2		

[1, 2] In the inserted state

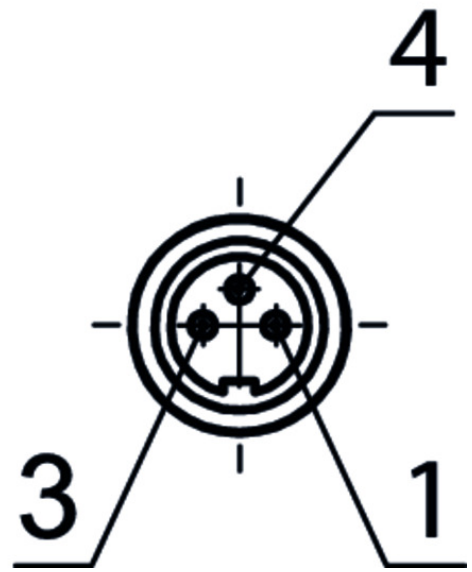
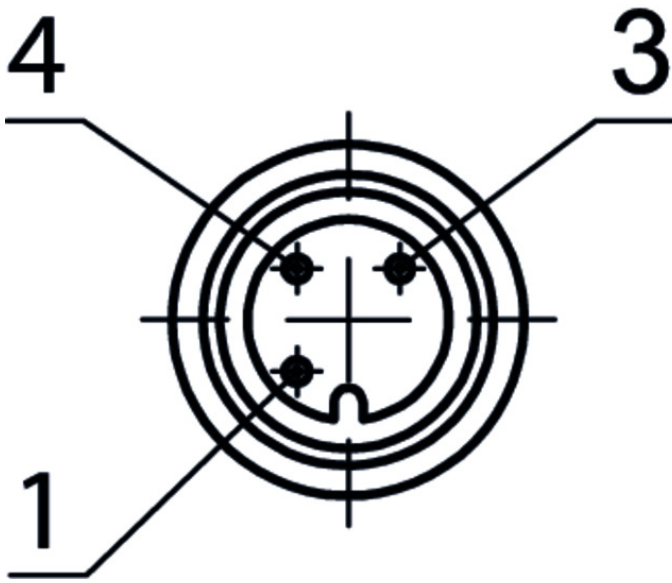
Dimension drawing



Legende

- 1 Male plug M12x1, 3-pin
- 2 Female plug M8x1, 3-pin

Terminal assignment



Legende

PIN1 =BN

PIN3 =BU

PIN4 =BK