

**ITEM 111834 NZ2VZ-538ESVM5C2334**

Description	Technical data	Accessories	Downloads
-------------	----------------	-------------	-----------



**Features**

- › Housing according to EN 50041
- › Plug connector M12

**Switching element**

**538H** Slow-action switching contact 2 NC↻

**Approvals**



**Mechanical values and environment**

Housing material	Anodized die-cast alloy
Weight	Net 0,3 kg

Ambient temperature	-25 ... 80 °C
Degree of protection	IP65
Mechanical life	2 x 10 <sup>6</sup>
Contact material	Silver alloy, gold flashed
Switching principle	Slow-action switching contact
Installation position	Any
Number of door position positively driven contacts	2
Connection	1 x Plug connector SVM5 [1]
Approach speed	max.20 m/min
Actuation frequency	1200 1/h
Retention force	8 N
Extraction force	35 N
Actuating force	35 N
Insertion depth	52 mm

### Electrical connection ratings

Rated thermal current I <sub>th</sub>	4 A [2]
Utilization category according to EN 60947-5-1	AC-15 4A 50V [3] DC-13 4A 24V [4]
Short circuit protection according to IEC 60269-1	(Fuse) 4A gG [5]
Rated insulation voltage U <sub>i</sub>	AC/DC 50 V
Rated impulse withstand voltage U <sub>imp</sub>	1,5 kV
Switching voltage	12 V
Switching current	Min. at 24V 1 mA

### Miscellaneous

C number	C2334 [6]
----------	-----------

### Reliability values acc. to EN ISO 13849-1

	<b>Monitoring of the safety guard position</b>
B10 <sub>D</sub>	4,5 x 10 <sup>6</sup>

in combination with Actuator BETAETIGER-Z-G

## Mechanical values and environment

Overtravel	4 mm
------------	------

## in combination with Actuator BETAETIGER-Z-GN

## Mechanical values and environment

Overtravel	16 mm
------------	-------

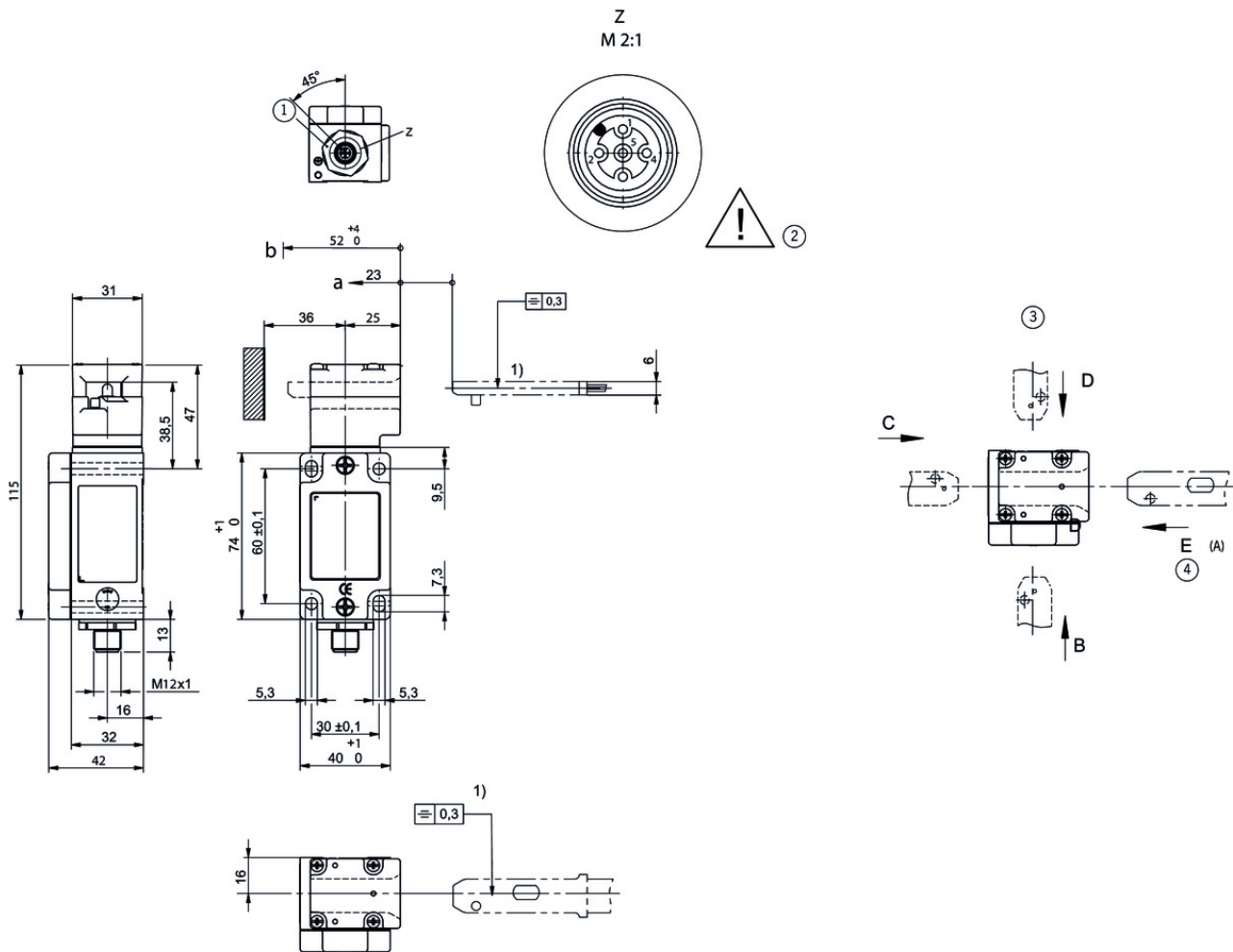
[1] 5-pin; without PE

[2, 3, 4] > 70°C => 2A

[5] > 70°C => 2A gG

[6] Wiring for ET200 (without PE)

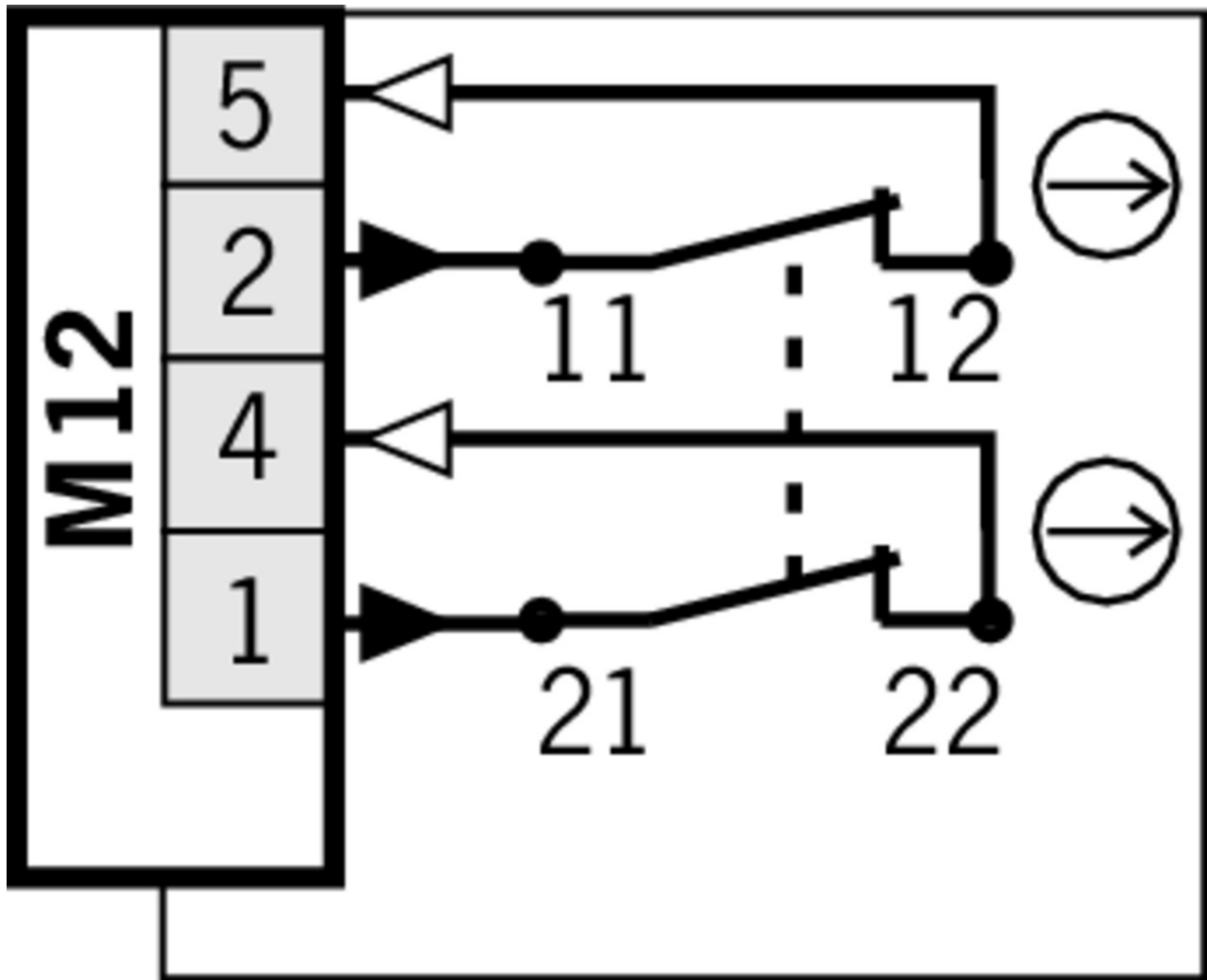
## Dimension drawing



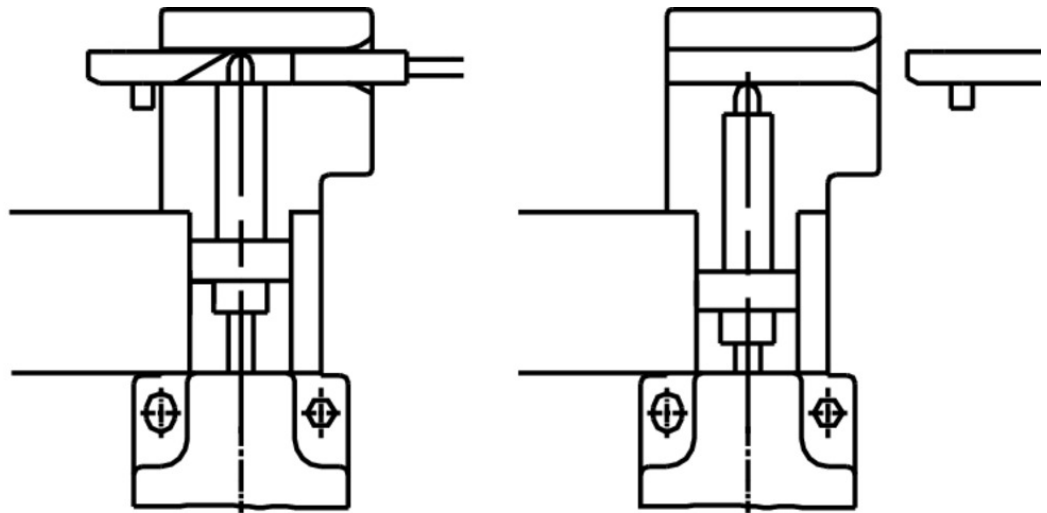
## Legende

- a* Travel without operation: actuator is in the guide slot, but function is not triggered.
- b* Switching operation completed: actuator must be inserted to this point to ensure reliable switching. The actuator must be withdrawn at least to point a for switching off.
- 1* Plug connector aligned
- 2* No protective earth!
- 3* Actuating direction can be changed
- 4* Standard E (A) approach direction in the default setting on delivery A
- 1)* The safety switch and actuator must be placed together for attachment to the machine.

M12\_without PE



## Switching functions



## Actuator

- Actuators for safety switches NZ.VZ, NZ.VZ.VS and TZ



### 016849 BETAETIGER-Z-G

- Features

- Two stainless safety screws per actuator



### 072251 BETAETIGER-Z-GN

- Features

- Two stainless safety screws per actuator

- Hinged actuator right for safety switches NZ.VZ, NZ.VZ.VS and TZ



### 024299 RADIUSBETAETIGER-Z-R

- Features

- Two stainless safety screws per actuator

- Hinged actuator left for safety switches NZ.VZ, NZ.VZ.VS and TZ



### 024298 RADIUSBETAETIGER-Z-L

- Features

- Two stainless safety screws per actuator

- ▼ Hinged actuator bottom for safety switches NZ.VZ, NZ.VZ.VS and TZ



**048850** RADIUSBETAETIGER-Z-U

- ▼ Features
  - › Two stainless safety screws per actuator

- ▼ Hinged actuator top for safety switches NZ.VZ, NZ.VZ.VS and TZ



**057950** RADIUSBETAETIGER-Z-O

- ▼ Features
  - › Two stainless safety screws per actuator

## Bolt

- ▼ Bolt NZ-A for safety switches NZ.VZ and NZ.VZ.VS



**057734** RIEGEL NZ-A

- ▼ Features
  - › Steel bolt
  - › For doors hinged on the right
  - › Can be locked in open position with padlocks
  - › Actuator and switch bracket included
  - › Bolt is not allowed to be used in conjunction with an escape release.

- ▼ Bolt NZ-C for safety switches NZ.VZ and NZ.VZ.VS



**057735** RIEGEL NZ-C

- ▼ Features
  - › Steel bolt
  - › For doors hinged on the left
  - › Can be locked in open position with padlocks
  - › Actuator and switch bracket included

- ▼ Bolt NZ-AF with escape release for safety switches NZ.VZ



**078451** RIEGEL NZ-AF

- ▼ Features
  - › Steel bolt
  - › For doors hinged on the right
  - › Lever for escape release from the danger zone
  - › Detent knob in open position
  - › Can be locked in open position with padlocks
  - › Actuator and switch bracket included

- ▼ Bolt NZ-CF with escape release for safety switches NZ.VZ



**078452** RIEGEL NZ-CF

- ▼ Features
  - › Steel bolt
  - › For doors hinged on the left

- › Lever for escape release from the danger zone
- › Detent knob in open position
- › Can be locked in open position with padlocks
- › Actuator and switch bracket included

- 
- ▼ Bolts NZ/TZ-S1 and NZ/TZ-S2 for safety switches NZ.VZ, NZ.VZ.VS and TZ



**028357** RIEGEL NZ/TZ-S1

▼ Features

- › Aluminum bolt
- › For doors hinged on the left or right. Cone grip bottom.
- › Spring catch in open position
- › Can be locked in open position with padlocks
- › Actuator included



**028359** RIEGEL NZ/TZ-S2

▼ Features

- › Aluminum bolt
- › For doors hinged on the left or right. Cone grip top.
- › Spring catch in open position
- › Can be locked in open position with padlocks
- › Actuator included

---

## Mounting accessories

- ▼ Mounting plates EMP-SC for safety switches NM, NP...AS and NZ



**085753** EMP-SC

▼ Features

- › For vertical and horizontal mounting of safety switches NM, NP...AS and NZ

- ▼ Mounting plates EMP-B1 for actuators for safety switches CTP, TP...A, STA, STP, TX and TZ



**093457** EMP-B1

- ▼ Mounting plates EMP-B2 for actuators for safety switches CTP, TP...A, STA, STP, TX and TZ



**093458** EMP-B2

- ▼ Safety screws M4 x 14

**074063** M4X14/V100

▼ Features

- › Safety screws M4 x 14
- › Packaging unit 100 pieces

- 
- ▼ Safety screws for actuators, M5 x 10



**073455** M5X10-NIRO/V100 NZ/TZ

▼ Features

- › Safety screws M5 x 10
  - › Packaging unit 100 pieces
- 

▼ Safety screws for actuators, M5 x 16

**073456** M5X16/V100

▼ Features

- › Safety screws M5 x 16
  - › Packaging unit 100 pieces
- 

▼ Safety screws M5 x 25

**073457** M5X25/V100

▼ Features

- › Safety screws M5 x 25
  - › Packaging unit 100 pieces
- 

## Function expansion

---

▼ Lockout mechanism NZ.VZ/TZ, 3 holes



**046730** SPERREINSATZ-Z-046730

▼ Features

- › Prevents unintentional closing of the door
  - › Can be secured with padlocks
- 



**091305** SPERREINSATZ MIT KETTE

▼ Features

- › Prevents unintentional closing of the door
  - › Can be secured with padlocks
- 

▼ Lockout mechanism NZ.VZ/TZ, 5 holes

**086538** SPERREINSATZ-Z-086538

▼ Features

- › Prevents unintentional closing of the door
  - › Can be secured with padlocks
- 

▼ Protective plate NZ.VZ/TZ

**059136** SCHUTZBLECH NZ/TZ

---

▼ LED function display NZ

**029220** NGL060RT



## Spare parts

- Replacement head NZ.VZ

**076250** BETAETIGUNGSKOPF NZVZ

## Connection material

- Connection cable with straight plug connector M12, 5-pin, 5m



**073461** C-M12F05-05X050PU05,0-GA-073461

### Features

- > M12 female plug, 4-pin + PE
- > Straight plug connector
- > PUR cable
- > Halogen-free
- > Cable length 5 m
- > With flying lead
- > Cores color-coded

- Connection cable with angled plug connector M12, 5-pin, 5m



**073462** C-M12F05-05X050PU05,0-GA-073462

### Features

- > M12 female plug, 4-pin + PE
- > Angled plug connector
- > PUR cable
- > Halogen-free
- > Cable length 5 m
- > With flying lead
- > Cores color-coded

## Instructions

- Käyttöohje Turvakytkimet NZ.VZ

	Doc. no.	Version	Language	Download
Betriebsanleitung Sicherheitsschalter NZ.VZ	2094060	08-06/17		1.6 MB
Manual de instrucciones Interruptores de seguridad NZ.VZ				
Mode d'emploi Interrupteur de sécurité NZ.VZ				
Operating Instructions Safety Switch NZ.VZ				
Käyttöohje Turvakytkimet NZ.VZ	2094060	08-06/17		0.4 MB

Istruzioni di impiego Finecorsa di sicurezza NZ.VZ	2094060	08-06/17		 0.5 MB
Instrukcja obsługi Wyłącznik bezpieczeństwa NZ.VZ	2094060	08-06/17		 0.5 MB
Инструкция по эксплуатации Предохранительный выключатель NZ.VZ	2094060	08-06/17		 0.6 MB
Návod na prevádzku Bezpečnostný spínač NZ.VZ	2094060	08-06/17		 0.5 MB
Instruktionsbok Säkerhetsbrytare NZ.VZ	2094060	08-06/17		 0.5 MB

## Declaration of conformity

### EU prohlášení o shodě

	Doc. no.	Version	Language	Download
EU-Konformitätserklärung Declaración UE de conformidad Déclaration UE de conformité Dichiarazione di conformità EU declaration of conformity	2077153	25-02/17	    	 0.3 MB
EU prohlášení o shodě EU-overensstemmelseserklæring Δήλωση συμμόρφωσης της ΕΕ EU-vaatimustenmukaisuusvakuutus EU-típusbizonyítvány EU-conformiteitsverklaring Deklaracja zgodności UE Declaração de Conformidade UE Declarația de conformitate UE EÚ vyhlásenie o zhode	2077153	25-02/17	         	 0.5 MB