

**ITEM 105854 NZ2PS-511SVM5L060GEC2273**

Description	Technical data	Accessories	Downloads
-------------	----------------	-------------	-----------



---

### Features

- › Version A according to EN 50041 (steel roller  $\varnothing$  18 mm)
- › Plug connector M12
- › LED indicator

---

### Switching direction

- › Right, left or both sides

---

### Lever arm adjustment

Lever arm length can be adjusted from 28 mm to 78 mm in steps of 12.5 mm.

---

### LED function display

A function display is available for the following voltage range:

- › AC/DC 12-60 V yellow

---

### Switching element

**511** Snap-action switching contact 1 NC $\ominus$  + 1 NO

## Approvals



## Mechanical values and environment

Housing material	Anodized die-cast alloy
Weight	Net 0,3 kg
Ambient temperature	-25 ... 80 °C
Degree of protection	IP67
Mechanical life	30 x 10 <sup>6</sup>
Contact material	Silver alloy, gold flashed
Switching principle	Snap-action switching contact <b>[1]</b>
Installation position	Any
Number of door position positively driven contacts	1
Number of NO contacts	1
Connection	1 x Plug connector M12 <b>[2]</b>
Approach speed	max. 0,5 ... 30 m/min
Actuating element	Plain bearing metal Lever arm adjustable <b>[3]</b>
Actuating force	min.15 N

## Electrical connection ratings

Rated thermal current $I_{th}$	4 A
Utilization category according to EN 60947-5-1	AC-15 4A 30V DC-13 4A 24V
Short circuit protection according to IEC 60269-1	(Fuse) 4A gG
Rated insulation voltage $U_i$	50 V
Rated impulse withstand voltage $U_{imp}$	1,5 kV
Switching current	Min. at DC 24V 10 mA
Display module	AC/DC 12 ... 60 V 60 V LED yellow

## Miscellaneous

C number	C2273	[4]
----------	-------	-----

## Reliability values acc. to EN ISO 13849-1

	Monitoring of the safety guard position
B10 <sub>D</sub>	20 x 10 <sup>6</sup>

---

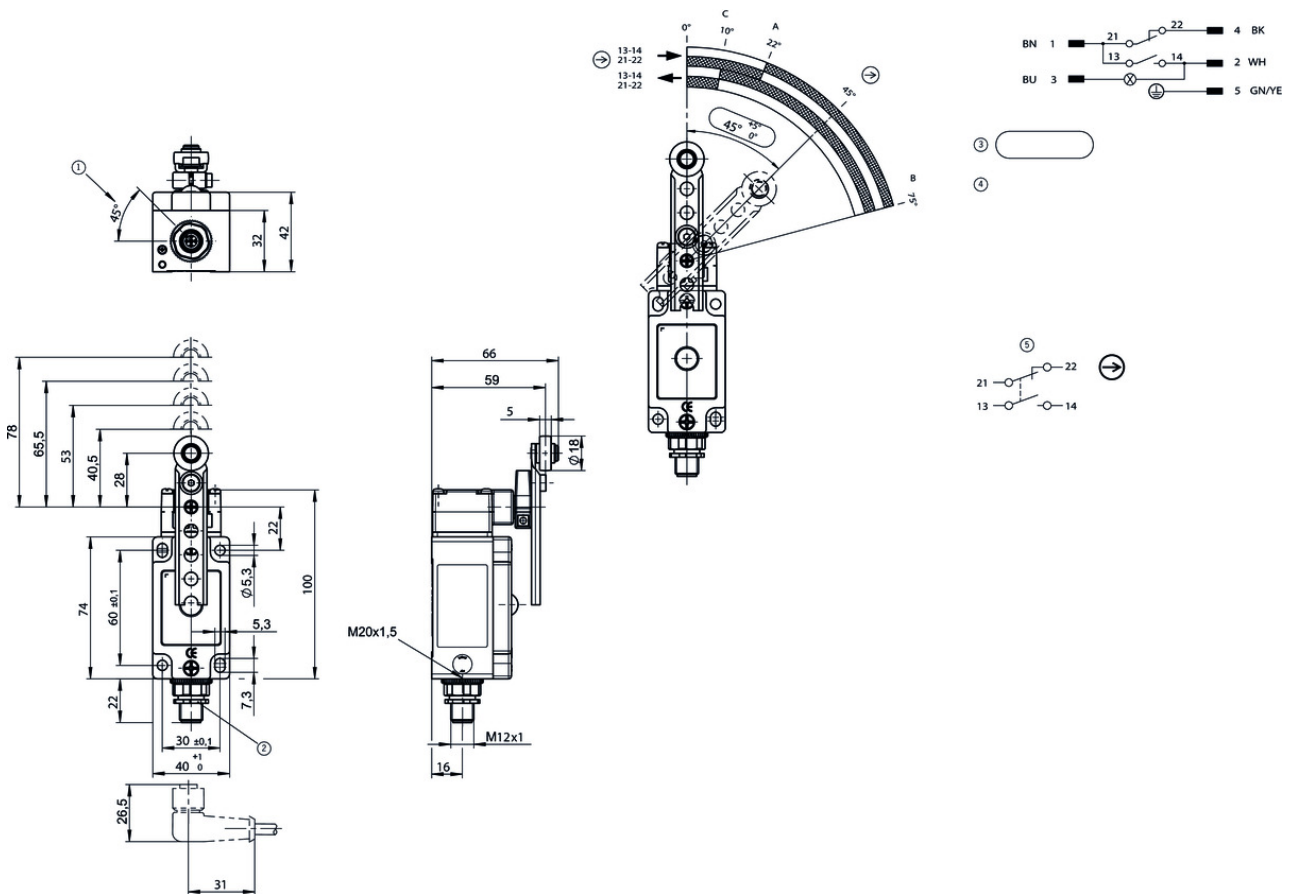
[1] Contact closing time <4 contact bounce time <3

[2] 5-pin

[3] d roller = 18 mm length 28 - 78 mm

[4] Special wiring

## Dimension drawing



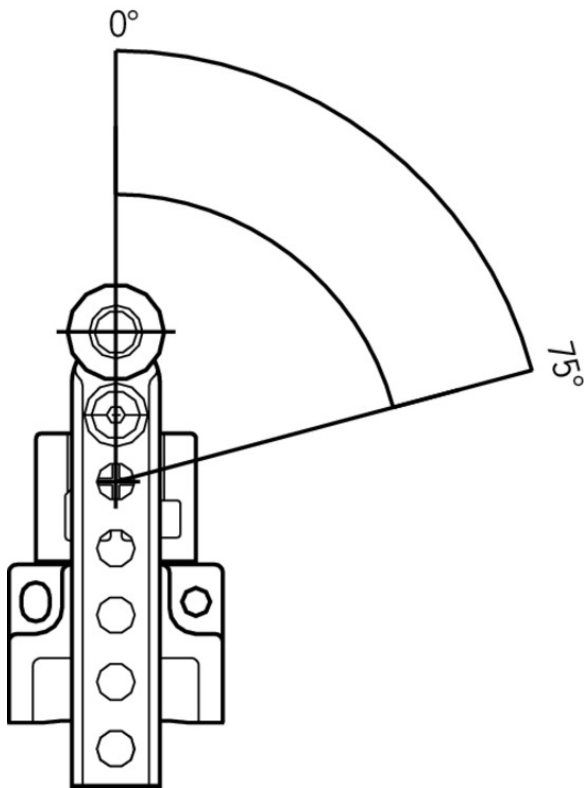
## Legende

- 1 Guide lug aligned
- 2 Male socket adjustable (max. 270°)
- 3 Positive opening function is dependent on maintaining this distance.
- 4 Actuator (dog) must be positively mounted on the machine.
- 5 Switching element ES511 snap-action contact element 1 NO contact + 1 NC contact, NC contact positive opening. Switching element in free position
- A =Operating point
- B =End position
- C =Reset point

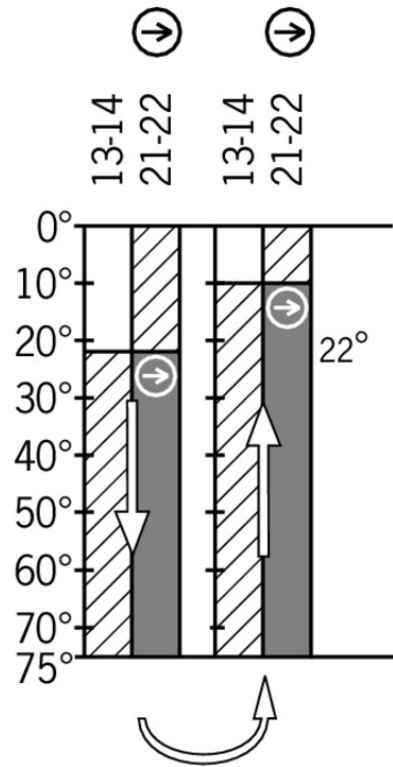


## Travel diagram




**NZ...PS**  
**NZ...PB**




**511**



## Legende

-  Contacts closed
-  Contacts open
-  Contacts positively driven

## Connection material

-  Connection cable with straight plug connector M12, 5-pin, 5m



**073461** C-M12F05-05X050PU05,0-GA-073461

### Features

- › M12 female plug, 4-pin + PE
- › Straight plug connector
- › PUR cable
- › Halogen-free
- › Cable length 5 m
- › With flying lead
- › Cores color-coded

- Connection cable with angled plug connector M12, 5-pin, 5m



**073462** C-M12F05-05X050PU05,0-GA-073462

**Features**

- M12 female plug, 4-pin + PE
- Angled plug connector
- PUR cable
- Halogen-free
- Cable length 5 m
- With flying lead
- Cores color-coded

## Instructions

- Betriebsanleitung Sicherheitsschalter NZ.H/P

	Doc. no.	Version	Language	Download
Betriebsanleitung Sicherheitsschalter NZ.H/P Manual de instrucciones Interruptores de seguridad NZ.H/P Mode d'emploi Interrupteur de sécurité NZ.H/P Istruzioni di impiego Finecorsa di sicurezza NZ.H/P Operating Instructions Safety Switch NZ.H/P	074550	11-12/16	    	2.1 MB
Instrukcja obsługi Wyłącznik bezpieczeństwa NZ.H/P	074550	11-12/16		0.5 MB
Инструкция по эксплуатации Предохранительный выключатель NZ.H/P	074550	11-12/16		0.6 MB
Návod na prevádzku Bezpečnostný spínač NZ.H/P	074550	11-12/16		0.5 MB

## Declaration of conformity

- EU prohlášení o shodě

	Doc. no.	Version	Language	Download
EU-Konformitätserklärung Declaración UE de conformidad Déclaration UE de conformité Dichiarazione di conformità EU declaration of conformity	2077153	25-02/17	    	0.3 MB
EU prohlášení o shodě EU-overensstemmelseserklæring Δήλωση συμμόρφωσης της ΕΕ EU-vaatimustenmukaisuusvakuutus EU-típusbizonyítvány EU-conformiteitsverklaring Deklaracja zgodności UE Declaração de Conformidade UE Declarația de conformitate UE EÚ vyhlásenie o zhode	2077153	25-02/17	         	0.5 MB