

ITEM 088584 NB01D588-M

Description	Technical data	Accessories	Downloads
-------------	----------------	-------------	-----------



Features

- › With chisel plunger
- › Cable entry M12 x 1.5

Approach direction



› Figure

Horizontal

Can be adjusted in 90° steps

⚠ To achieve the positively driven travel, the dimension (11.05) must be maintained by the trip dog. Actuating elements such as dog approach guides must be firmly mounted in accordance with EN ISO 14119, i.e. riveted, welded or otherwise secured against becoming loose.

Switching element

Mechanical values and environment

Housing material	Anodized die-cast alloy	
Weight	Net	0,1 kg
Ambient temperature	-25 ... 70 °C	
Degree of protection	IP67	
Mechanical life	10 x 10 ⁶	
Contact material	Silver alloy, gold flashed	
Switching principle	Slow-action switching contact	
Installation position	Any	
Number of door position positively driven contacts	1	
Connection	1 x	M12 x 1.5
Approach speed	max.	0,01 ... 20 m/min
Actuating element	Chisel plunger	
Actuating force	15 ... 20 N	

Electrical connection ratings

Rated thermal current I _{th}	10 A	
Utilization category according to EN 60947-5-1	AC-15	4A 230V
	DC-13	3A 24V
Short circuit protection according to IEC 60269-1	(Fuse)	10A gG
Rated insulation voltage U _i	250 V	
Rated impulse withstand voltage U _{imp}	2,5 kV	
Switching current	Min. at DC 5V	1 mA
Connection cross-section	max.1,5 mm ² [1]	

Miscellaneous

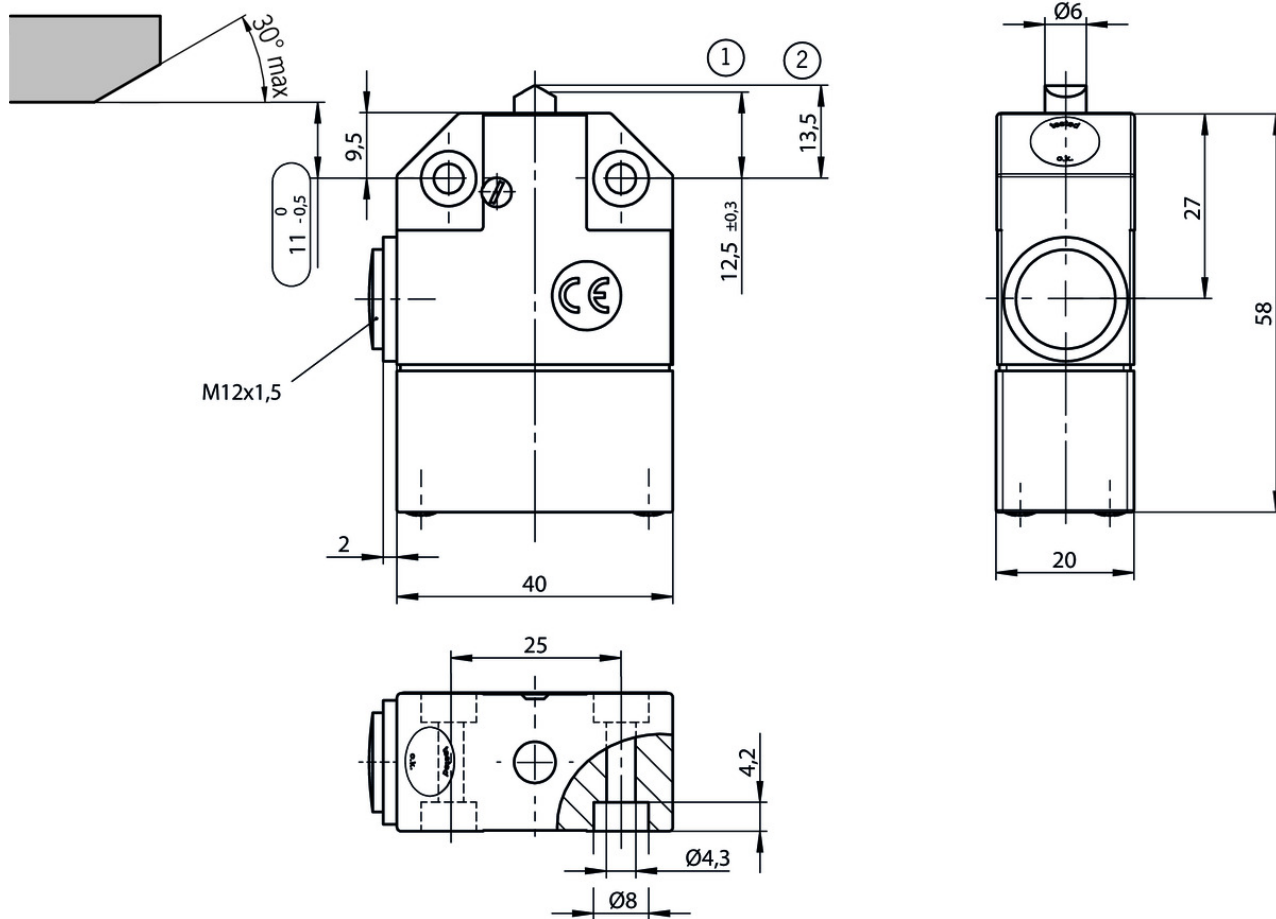
Additional feature	With low temperature grease
--------------------	-----------------------------

Reliability values acc. to EN ISO 13849-1

B10 _D	20 x 10 ⁶
------------------	----------------------

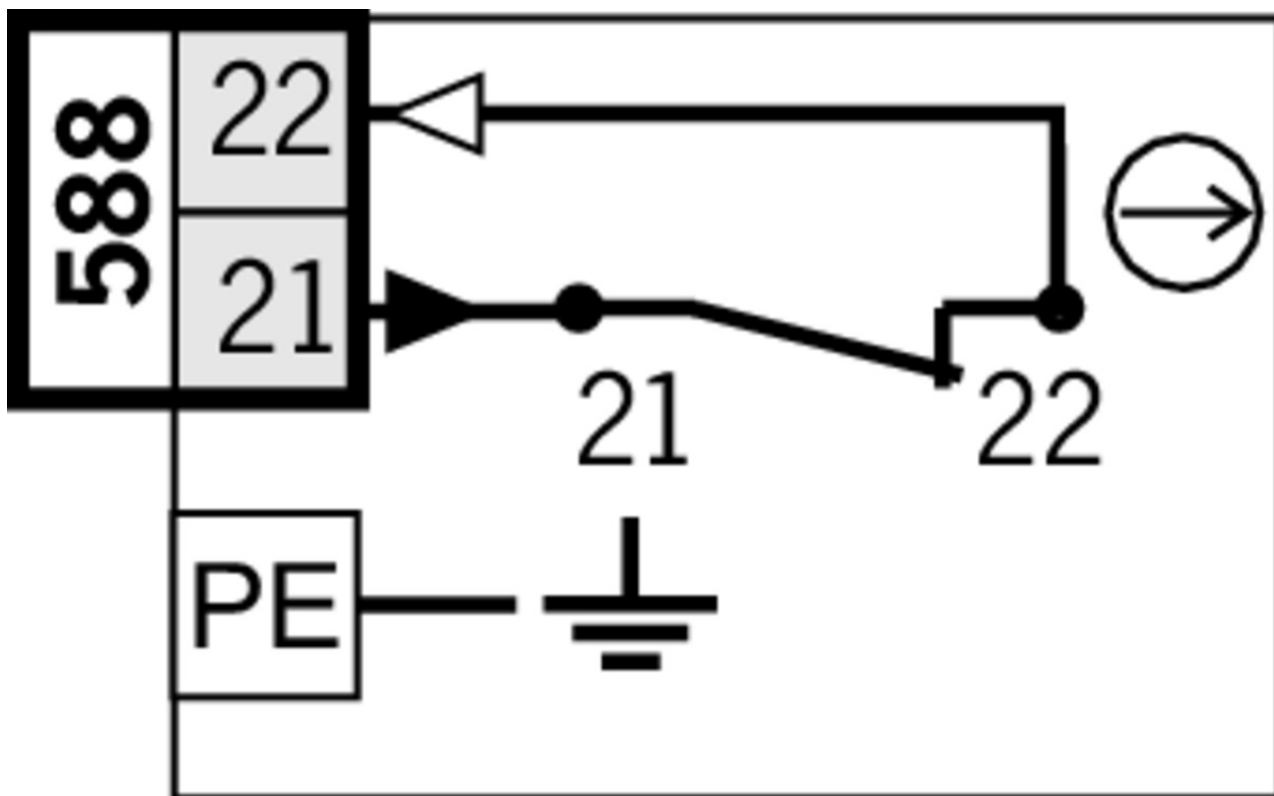
[1] Screw terminal

Dimension drawing

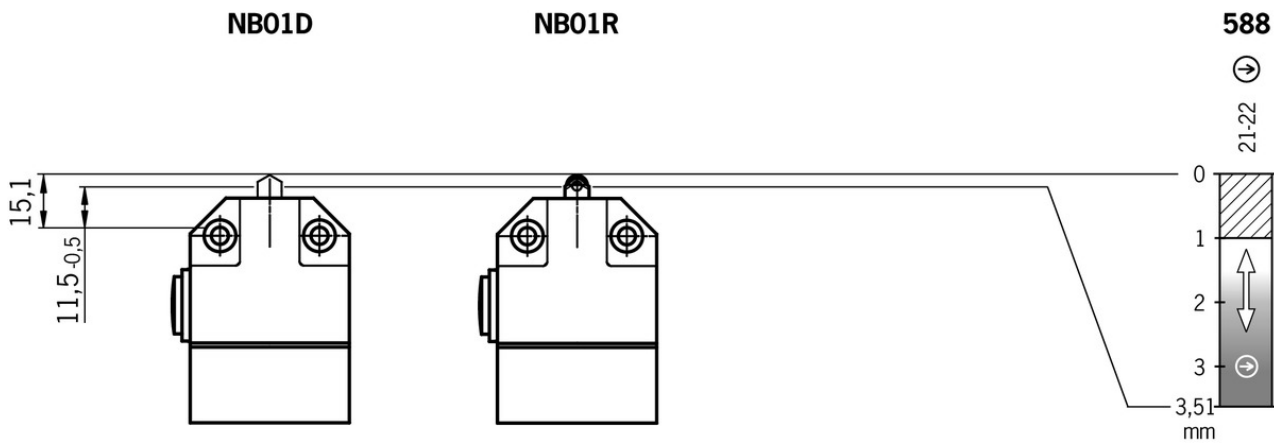


Legende




- 1 Operating point
- 2 Free position



Travel diagram



Legende

-  Contacts closed
-  Contacts open
-  Contacts positively driven

Connection material

-  Cable glands M12x1.5



086327 EKVM12/04

Instructions

Manual de instrucciones Finales de carrera unitarios de precisión N01/NB01/SN01

	Doc. no.	Version	Language	Download
Betriebsanleitung Präzisions-Einzelgrenztaster N01/NB01/SN01 Operating Instructions Precision Single Limit Switches N01/NB01/SN01	2105376	06-02/18		0.9 MB
Mode d'emploi Monopistes de précision N01/NB01/SN01	2105376	06-02/18		0.5 MB
Manual de instrucciones Finales de carrera unitarios de precisión N01/NB01/SN01	2105376	06-02/18		0.5 MB
Istruzioni di impiego Finecorsa di precisione singoli N01/NB01/SN01	2105376	06-02/18		0.5 MB

Catalogs

Positionsschalter und Reihengrenztaster Position Switches and Multiple Limit Switches Interrupteurs de position et boîtiers multipistes

	Doc. no.	Version	Language	Download
Positionsschalter und Reihengrenztaster	157835	01-03/18		4.1 MB
Interrupteurs de position et boîtiers multipistes	157837	01-03/18		4.1 MB
Position Switches and Multiple Limit Switches	157836	01-03/18		4.1 MB

Sicherheitsschalter mit Metallgehäuse Safety Switches with Metal Housing Bezpečnostní spínače s kovovým pouzdrém Interrupteurs de sécurité avec boîtier métallique 金属壳体的安全开关 Interruptores de seguridad con carcasa metálica

	Doc. no.	Version	Language	Download
Sicherheitsschalter mit Metallgehäuse	100319	11-03/18		7.9 MB
Interrupteurs de sécurité avec boîtier métallique	100676	11-03/18		7.9 MB
Interruptores de seguridad con carcasa metálica	104856	11-03/18		14.0 MB
Safety Switches with Metal Housing	100369	11-03/18		7.9 MB
Bezpečnostní spínače s kovovým pouzdrém	121650	11-03/18		7.9 MB
金属壳体的安全开关	102453	11-03/18		8.2 MB

Declaration of conformity

EU prohlášení o shodě

Doc. no.	Version	Language	Download
----------	---------	----------	----------

EU-Konformitätserklärung	2077153	25-02/17		 0.3 MB
Declaración UE de conformidad				
Déclaration UE de conformité				
Dichiarazione di conformità				
EU declaration of conformity				
EU prohlášení o shodě	2077153	25-02/17		 0.5 MB
EU-overensstemmelseserklæring				
Δήλωση συμμόρφωσης της ΕΕ				
EU-vaatimustenmukaisuusvakuutus				
EU-típusbizonyítvány				
EU-conformiteitsverklaring				
Deklaracja zgodności UE				
Declaração de Conformidade UE				
Declarația de conformitate UE				
EÚ vyhlásenie o zhode				

CAD data

CAD data for this item on TraceParts