

## ITEM 113690 NZ2HS-3131-10C-FW

Description	Technical data	Accessories	Downloads
-------------	----------------	-------------	-----------



### Features

- › Version A according to EN 50041(steel roller  $\varnothing$  18 mm)
- › Plug connector MR10
- › Two safety screws for head fastening (included)

### Approach direction



- › Figure  
Horizontal

### Switching direction

- › Right, left or both sides

### Switching element

## Approvals



## Mechanical values and environment

Housing material	Anodized die-cast alloy
Weight	Net 0,3 kg
Ambient temperature	-25 ... 80 °C
Degree of protection	IP65
Mechanical life	30 x 10 <sup>6</sup>
Contact material	Silver alloy, gold flashed
Switching principle	Slow-action switching contact
Installation position	Any
Number of door position positively driven contacts	2
Number of NO contacts	2
Connection	1 x Plug connector MR10 [1]
Approach speed	max. 0,1 ... 60 m/min
Actuating element	Plain bearing metal Lever arm [2]
Actuating force	min.15 N

## Electrical connection ratings

Rated thermal current I <sub>th</sub>	4 A
Utilization category according to EN 60947-5-1	AC-15 4A 230V DC-13 4A 24V
Short circuit protection according to IEC 60269-1	(Fuse) 4A gG
Rated insulation voltage U <sub>i</sub>	250 V
Rated impulse withstand voltage U <sub>imp</sub>	2,5 kV
Switching current	Min. at DC 24V 1 mA

## Miscellaneous

Additional feature	[3]
--------------------	-----

**Reliability values acc. to EN ISO 13849-1**

	Monitoring of the safety guard position
B10D	$20 \times 10^6$

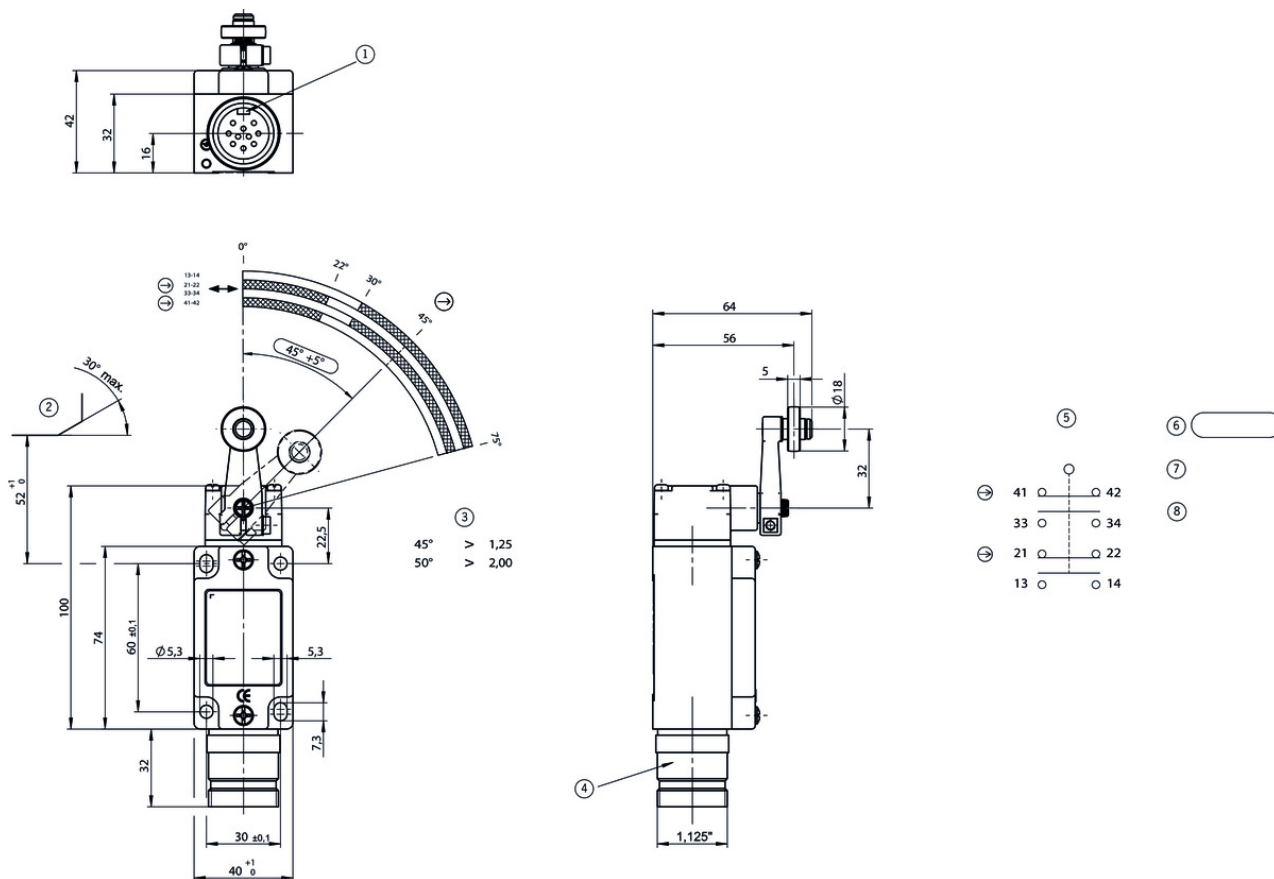
---

[1] 9-pin + PE

[2] d roller = 18 mm, length = 32 mm

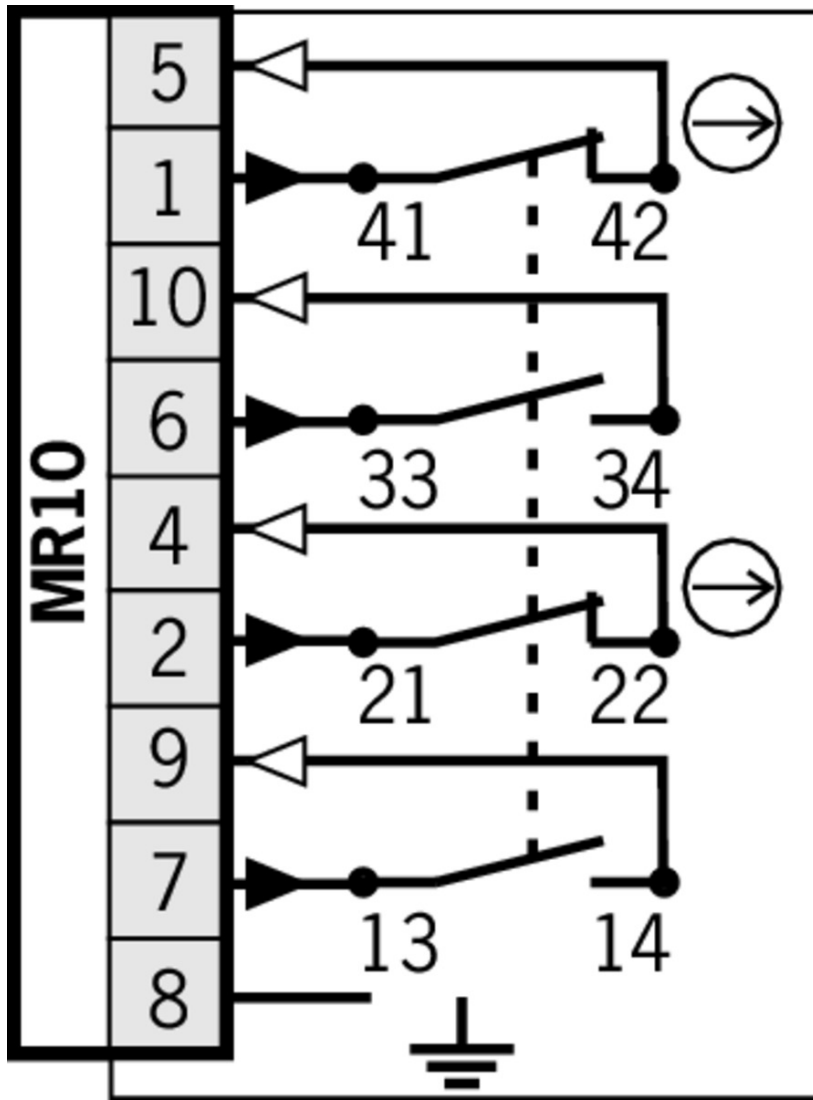
[3] Two safety screws for head fastening

## Dimension drawing

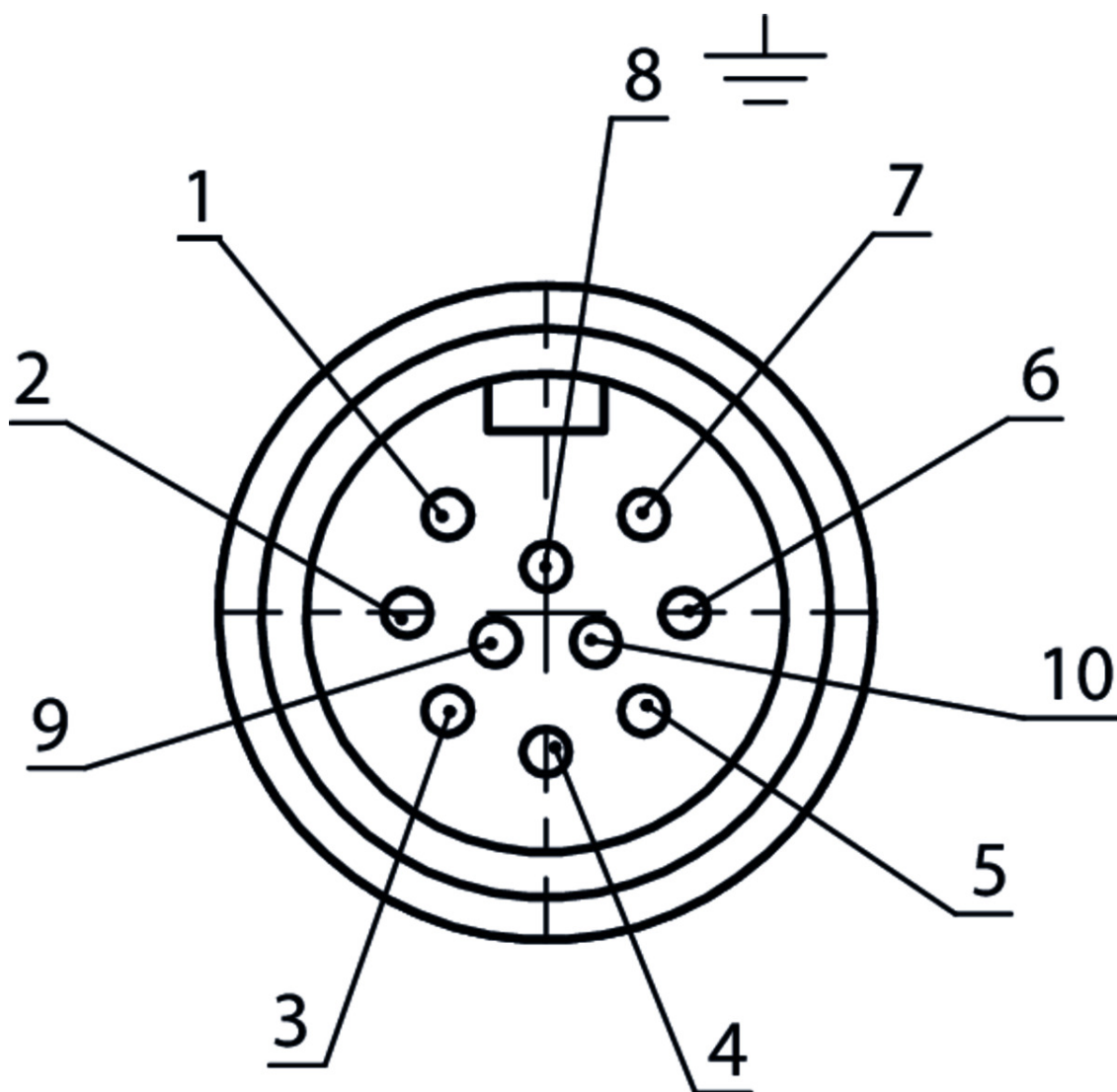


## Legende

- 1 Plug connector is not aligned
- 2 Dog
- 3 Opening
- 4 Plug connector MENCOM (10 pin) MIN-10MR-1-18-M20
- 5 Switching element in free position: Switching element SK3131H, 2 normally closed contacts + 2 normally open contacts, normally closed contacts positively driven
- 6 Positive opening function is dependent on maintaining this distance.
- 7 Actuator (dog) must be positively mounted on the machine.
- 8 Switch can be replaced only with the same type.



## Wiring diagram

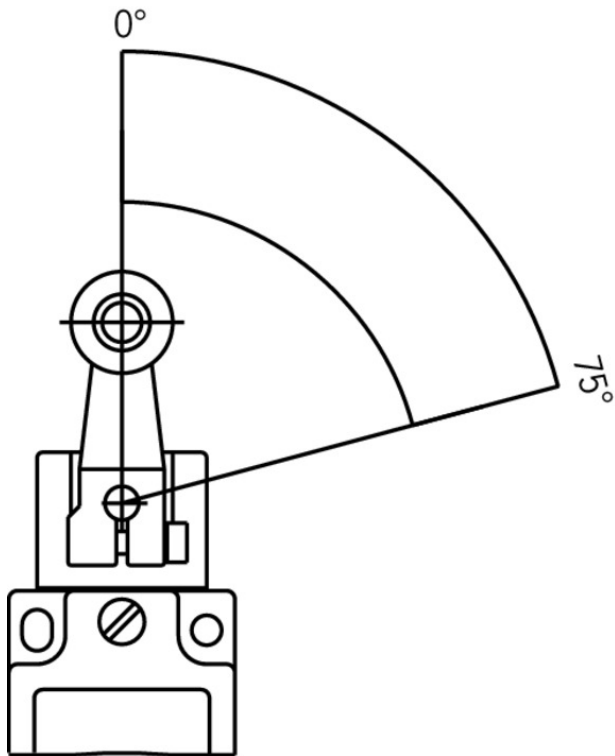


## Legende

- 1 Orange
- 2 blue
- 3 white/black
- 4 red/black
- 5 green/black
- 6 orange/black
- 7 red
- 8 green/yellow
- 9 Black
- 10 white

## Travel diagram

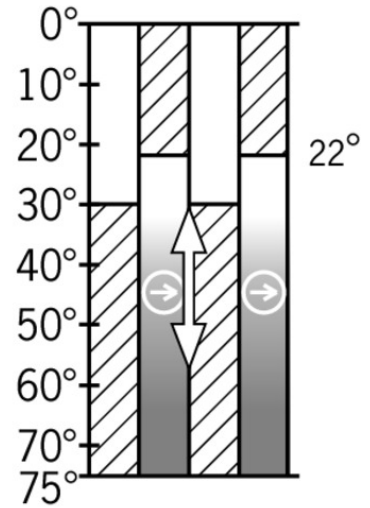
**NZ...HS**  
**NZ...HB**






**3131H**




13-14  
21-22  
33-34  
41-42



## Legende

-  Contacts closed
-  Contacts open
-  Contacts positively driven

## Connection material

-  Connection cables with plug connector MR10, 10-pin, 1.8m



**100949** C-MINF10-10X1,0PV01,8-MA-100949

### Features

- › MR10 female plug, 10-pin
- › Straight plug connector
- › PVC cable
- › Cable length 1.8 m
- › With flying lead

-  Connection cable with plug connector M10, 10-pin, 3.6m



**100950** C-MINF10-10X1,0PV03,6-MA-100950

▼ Features

- › MR10 female plug, 10-pin
  - › Straight plug connector
  - › PVC cable
  - › Cable length 3.6 m
  - › With flying lead
- 

▼ Connection cable with plug connector MR10, 10-pin, 6m



**100951** C-MINF10-10X1,0PV06,0-MA-100951

▼ Features

- › MR10 female plug, 10-pin
  - › Straight plug connector
  - › PVC cable
  - › Cable length 6 m
  - › With flying lead
- 

▼ Connection cable with plug connector MR10, 10-pin, 9.1m



**100952** C-MINF10-10X1,0PV09,1-MA-100952

▼ Features

- › MR10 female plug, 10-pin
  - › Straight plug connector
  - › PVC cable
  - › Cable length 9.1 m
  - › With flying lead
- 

▼ Connection cable with plug connector MR10, 10-pin, 12.1m



**102505** C-MINF10-10X1,0PV12,1-MA-102505

▼ Features

- › MR10 female plug, 10-pin
  - › Straight plug connector
  - › PVC cable
  - › Cable length 12.1 m
  - › With flying lead
- 

▼ Connection cable with plug connector MR10, 10-pin, 15.2m



**100953** C-MINF10-10X1,0PV15,2-MA-100953

▼ Features

- › MR10 female plug, 10-pin
  - › Straight plug connector
  - › PVC cable
  - › Cable length 15.2 m
  - › With flying lead
- 

▼ Connection cable with plug connector M10, 10-pin, 18.2m



**103157** C-MINF10-10X1,0PV18,2-MA-103157



- ▼ Features
  - › MR10 female plug, 10-pin
  - › Straight plug connector
  - › PVC cable
  - › Cable length 18.2 m
  - › With flying lead

▼ Connection cable with plug connector MR10,10-pin, 30.5m



**103788** C-MINF10-10X1,0PV30,5-MA-103788

- ▼ Features
  - › MR10 female plug, 10-pin
  - › Straight plug connector
  - › PVC cable
  - › Cable length 30.5 m
  - › With flying lead

## Instructions











▼ Betriebsanleitung Sicherheitsschalter NZ.H/P

	Doc. no.	Version	Language	Download
Betriebsanleitung Sicherheitsschalter NZ.H/P Manual de instrucciones Interruptores de seguridad NZ.H/P Mode d'emploi Interrupteur de sécurité NZ.H/P Istruzioni di impiego Finecorsa di sicurezza NZ.H/P Operating Instructions Safety Switch NZ.H/P	074550	11-12/16	    	2.1 MB
Instrukcja obsługi Wyłącznik bezpieczeństwa NZ.H/P	074550	11-12/16		0.5 MB
Инструкция по эксплуатации Предохранительный выключатель NZ.H/P	074550	11-12/16		0.6 MB
Návod na prevádzku Bezpečnostný spínač NZ.H/P	074550	11-12/16		0.5 MB

## Declaration of conformity

▼ EU prohlášení o shodě

	Doc. no.	Version	Language	Download
EU-Konformitätserklärung Declaración UE de conformidad Déclaration UE de conformité Dichiarazione di conformità EU declaration of conformity	2077153	25-02/17	    	0.3 MB

EU prohlášení o shodě	2077153	25-02/17		 0.5 MB
EU-overensstemmelseserklæring				
Δήλωση συμμόρφωσης της ΕΕ				
EU-vaatimustenmukaisuusvakuutus				
EU-típusbizonyítvány				
EU-conformiteitsverklaring				
Deklaracja zgodności UE				
Declaração de Conformidade UE				
Declarația de conformitate UE				
EÚ vyhlásenie o zhode			