

ITEM 123460 SGA1A-2131A-M-EX

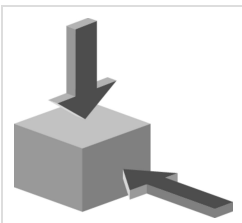
Description	Technical data	Accessories	Downloads
-------------	----------------	-------------	-----------



Features

- › ATEX version
- › Suitable for usage in zone 2 and 22 (gases and dusts)
- › Cable entry M20 x 1.5
- › Switching disc made of metal

Approach direction



- › Figure
Horizontal and vertical
Can be adjusted in 90° steps

Switching element

2131 Slow-action switching contact 3 NC⊖ + 1 NO

Approvals



Mechanical values and environment

Housing material	Die-cast alloy, cathodically dipped
Weight	
Net	0,5 kg
Ambient temperature	-10 ... 75 °C
Degree of protection	IP67
Mechanical life	2×10^6
Contact material	Silver alloy, gold flashed
Switching principle	Slow-action switching contact
Installation position	Any
Number of door position positively driven contacts	3
Number of door position NO contacts	1
Connection	
	3 x M20 x 1.5
Approach speed	
max.	20 m/min
Actuation frequency	6700 1/h
Retention force	10 N
Extraction force	25 N
Actuating force	25 N
Insertion depth	24,5 mm

Electrical connection ratings

Rated thermal current I_{th}	4 A
Utilization category according to EN 60947-5-1	
AC-15	4A 50V
DC-13	4A 24V
Short circuit protection according to IEC 60269-1	
(Fuse)	4A gG
Rated insulation voltage U_i	50 V
Rated impulse withstand voltage U_{imp}	2,5 kV
Switching voltage	
Min. at 10mA	12 V
Switching current	
Min. at 24V	1 mA

Connection cross-section	0,34 ... 1,5 mm ²
--------------------------	------------------------------

Miscellaneous

Explosion protection incl. cable gland	II3G Ex nR IIB T5 Gc X / II3D Ex tc IIIC T90° Dc X
---	--

Reliability values acc. to EN ISO 13849-1

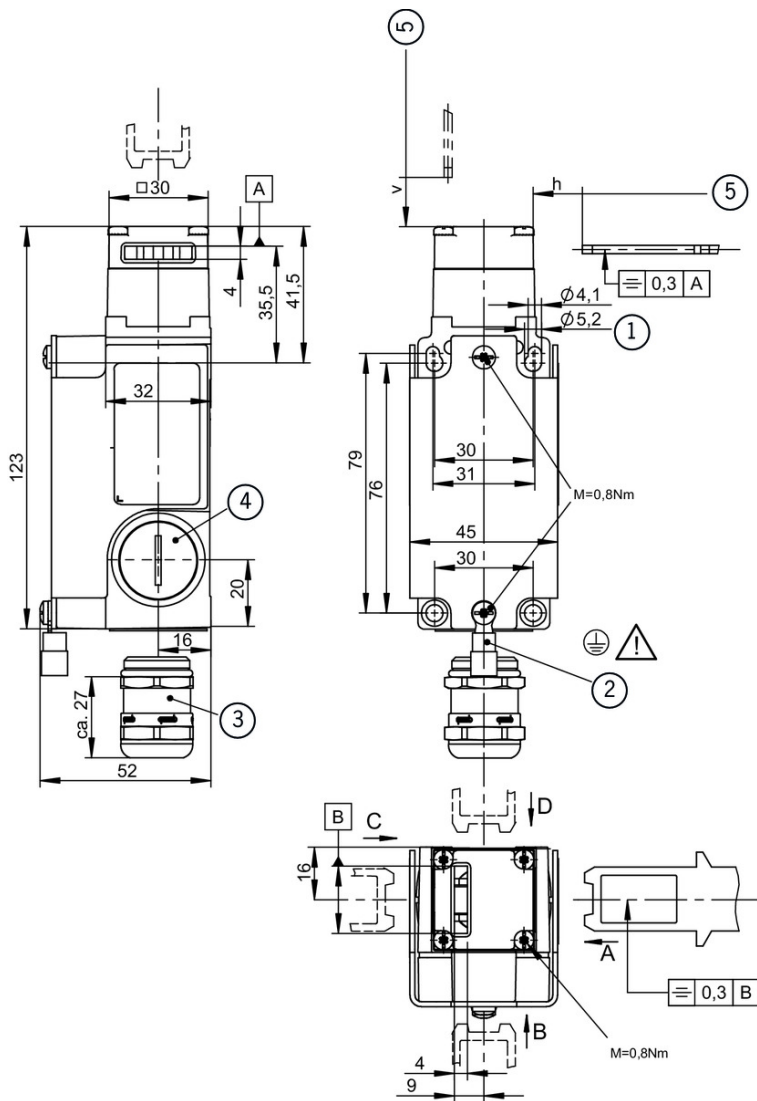
	Monitoring of the safety guard position
B10 _D	3 x 10 ⁶

in combination with Actuator **BETAETIGER-S-G-SN-C2115**

Mechanical values and environment

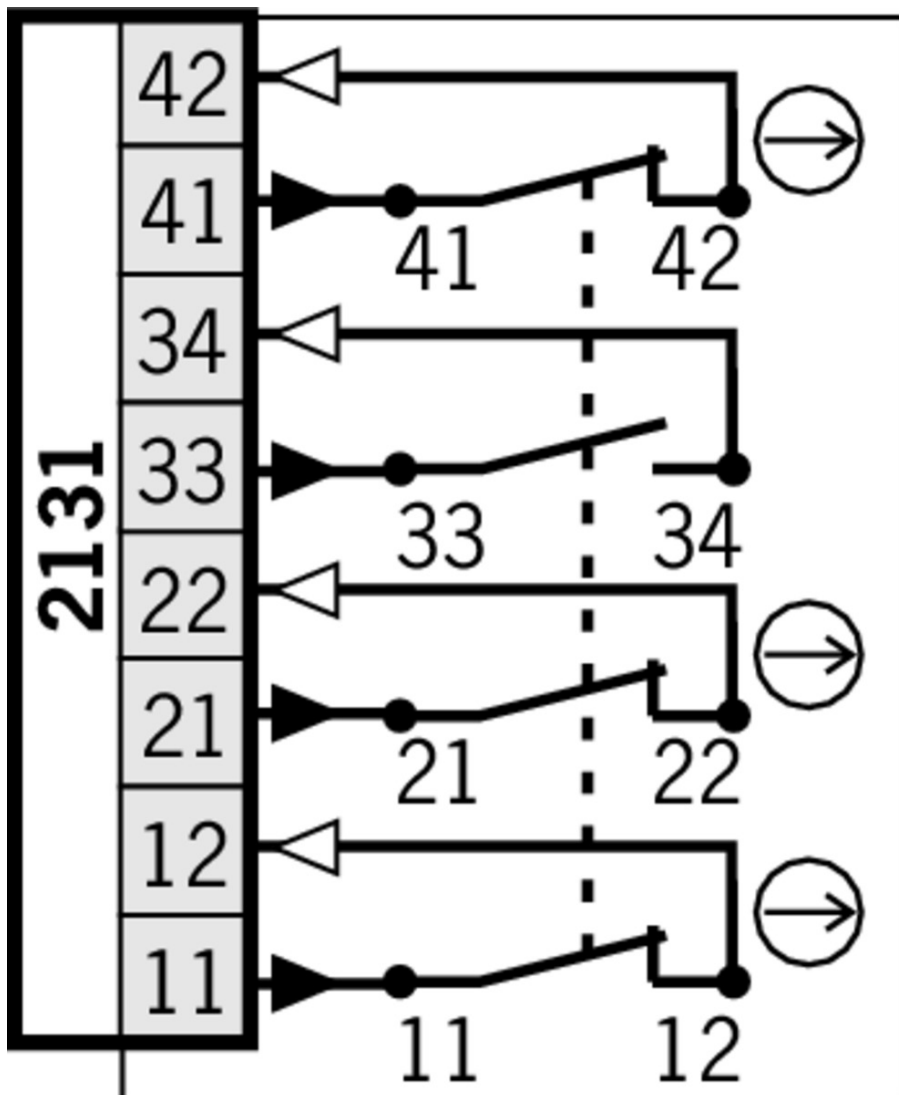
Overtravel	5 mm
------------	------

Dimension drawing



Legende

- 1 Fixed positioning for safety-related applications (screw M5)
- 2 Ground switch via cable lug to prevent electrostatic charging. Cable cross-section 4...6 mm²
- 3 Cable gland included clamping range Ø6.5...12mm
- 4 Locking screw M20x1.5 (2x)
- 5 Insertion depth



Actuator

- ▼ Hinged actuator S left/right for safety switches SGA/SGP/STA/STP/STM



096838 RADIUSBETAETIGER-S-LR-SN

- ▼ Features

- › Actuators made of stainless steel
- › Two safety screws included
- › For doors hinged on right and left

- ▼ Hinged actuator S top/bottom for safety switches SGA/SGP/STA/STP/STM



095315 RADIUSBETAETIGER-S-OU-SN

- ▼ Features

- › Actuators made of stainless steel
- › Two safety screws included
- › For doors hinged at top and bottom

- ▼ Actuator S for safety switches SGA/SGP/STA/STP/STM



097861 BETAETIGER-S-G-SN-C2115

▼ Features

- › Two safety screws included
- › Physically compatible with TP actuator P-G

- ▼ Hinged actuator L top/bottom, for safety switches SGA/SGP/STA/STP/STM for insertion funnel



096697 RADIUSBETAETIGER-S-OU-LN

▼ Features

- › Actuators made of stainless steel
- › Two stainless safety screws per actuator
- › For doors hinged at top and bottom

- ▼ Hinged actuator L left/right, for safety switches SGA/SGP/STA/STP/STM for insertion funnel



096844 RADIUSBETAETIGER-S-LR-LN

▼ Features

- › Actuators made of stainless steel
- › Two stainless safety screws per actuator
- › For doors hinged on right and left

- ▼ Actuator S, bent, for safety switches SGA/SGP/STA/STP/STM



115073 BETAETIGER-S-W-SN-C2115

▼ Features

- › Two stainless safety screws per actuator
- › Minimum door radius 300 mm

- ▼ Actuator for safety switch SGA-EX/STA-EX



158407 BETAETIGER-S-WQ-SN-C2498

▼ Features

- › Two safety screws included
- › Minimum door radius 300 mm

Function expansion

- ▼ Lockout bar STA/STP/SGA/SGP/STM



105701 SPERREINSATZ STP/STA

▼ Features

- › Prevents unintentional closing of the door
- › Can be secured with padlocks

- ▼ Insertion funnel for safety switches SGP/STA/STP/STM/SGA

093157 EINFUEHRTRICHTER-S



Instructions

▼ Betriebsanleitung Sicherheitsschalter SGA...EX

	Doc. no.	Version	Language	Download
Betriebsanleitung Sicherheitsschalter SGA...EX Operating Instructions Safety Switches SGA...EX	2123744	03-02/18		1.7 MB

Catalogs

▼ ATEX - Sicherheitsschalter für explosionsgefährdete Bereiche ATEX - Safety switches for potentially explosive atmospheres ATEX - Interrupteurs de sécurité pour atmosphères explosibles ATEX - Interruptores de seguridad para uso en atmósferas potencialmente explosivas

	Doc. no.	Version	Language	Download
ATEX - Sicherheitsschalter für explosionsgefährdete Bereiche	136804	03-04/17		1.5 MB
ATEX - Interrupteurs de sécurité pour atmosphères explosibles	136806	03-04/17		1.5 MB
ATEX - Interruptores de seguridad para uso en atmósferas potencialmente explosivas	136807	03-04/17		1.5 MB
ATEX - Safety switches for potentially explosive atmospheres	136805	03-04/17		1.0 MB

▼ Bezpečnostní spínače s plastovým pouzdem Sicherheitsschalter mit Kunststoffgehäuse Safety Switches with Plastic Housing Interruptores de seguridad con carcasa plástica Interrupteurs de sécurité avec boîtier plastique 塑料壳体 的安全开关

	Doc. no.	Version	Language	Download
Sicherheitsschalter mit Kunststoffgehäuse	096955	11-03/18		6.6 MB
Interrupteurs de sécurité avec boîtier plastique	100677	11-03/18		6.6 MB
Interruptores de seguridad con carcasa plástica	104855	11-03/18		6.6 MB
Bezpečnostní spínače s plastovým pouzdem	121649	11-03/18		6.6 MB
Safety Switches with Plastic Housing	096956	11-03/18		6.6 MB
塑料壳体 的安全开关	116243	11-03/18		6.2 MB

▼ Sicherheitsschalter mit Metallgehäuse Safety Switches with Metal Housing Bezpečnostní spínače s kovovým pouzdem Interrupteurs de sécurité avec boîtier métallique 金属壳体 的安全开关 Interruptores de seguridad con carcasa metálica

	Doc. no.	Version	Language	Download
Sicherheitsschalter mit Metallgehäuse	100319	11-03/18		7.9 MB
Interrupteurs de sécurité avec boîtier métallique	100676	11-03/18		7.9 MB
Interruptores de seguridad con carcasa metálica	104856	11-03/18		14.0 MB
Safety Switches with Metal Housing	100369	11-03/18		7.9 MB
Bezpečnostní spínače s kovovým pouzdem	121650	11-03/18		7.9 MB

金属壳体 的安全开关

102453

11-03/18



8.2 MB

Declaration of conformity

EU-Konformitätserklärung

	Doc. no.	Version	Language	Download
EU-Konformitätserklärung	2093482	13-06/16		0.3 MB
Declaración UE de conformidad				
Déclaration UE de conformité				
Dichiarazione di conformità				
EU declaration of conformity				