

ITEM 119366 STA3A-2131A024L024BHA10C2398

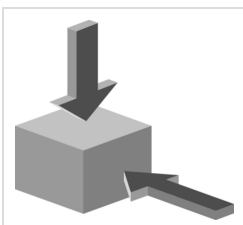
Description	Technical data	Accessories	Downloads
-------------	----------------	-------------	-----------



Features

- › Auxiliary release on the front
- › Escape release from the rear
- › With door monitoring contact
- › Two LED indicators, red and green

Approach direction



- › Figure
Horizontal and vertical
Can be adjusted in 90° steps

Solenoid operating voltage

- › AC/DC 24 V +10%, -15%

LED function display

A function display (2 LEDs, red and green) is available for the following voltage ranges:

- › AC/DC 24 V +10%, -15%

Guard locking type

STA3 Closed-circuit current principle, guard locking by spring force. Release by applying voltage to the guard locking solenoid.

Switching element

2131 Slow-action switching contact 2 NC ⊕ + 1 NO + 1 NC (door monitoring contact)

Auxiliary release

Is used for releasing the guard locking with the aid of a tool. To protect against tampering, the auxiliary release is sealed with sealing lacquer.

Escape release (C 2398, long actuator shaft)

This is used for manual release of guard locking from within the danger area without tools. With identification of On/Off position.

Approvals



Mechanical values and environment

Housing material	Alloy - die-cast
Weight	Net 0,6 kg
Ambient temperature	-20 ... 70 °C
Degree of protection	IP65
Mechanical life	1 x 10 ⁶
Contact material	Silver alloy, gold flashed
Switching principle	Slow-action switching contact
Installation position	Any
Number of door position NC contacts	1
Number of guard lock monitoring positively driven contacts	2
Number of guard lock monitoring NO contacts	1
Connection	

	1 x	Built-in connector BHA10 [1]
Approach speed	max.	20 m/min
Actuation frequency		1200 1/h
Guard locking principle		Closed-circuit current principle
Locking force F_{max}		3000 N
Locking force F_{Zh}		2300 N
Retention force		20 N
Extraction force		30 N
Actuating force		35 N
Insertion depth		min.24,5 mm

Electrical connection ratings

Rated thermal current I_{th}		4 A
Utilization category according to EN 60947-5-1		
	AC-15	4A 50V
	DC-13	4A 24V
Solenoid operating voltage	AC/DC	24 V -15% ... +10%
Short circuit protection according to IEC 60269-1	(Fuse)	4A gG
Rated insulation voltage U_i		50 V
Rated impulse withstand voltage U_{imp}		2,5 kV
Switching voltage	Min. at 10mA	12 V
Switching current	Min. at 24V	1 mA
Power consumption		8 W
Solenoid duty cycle		100 %
Display module		24 V -15% ... +10%

Miscellaneous

C number	C2398	Special wiring, long escape release
----------	-------	-------------------------------------

Reliability values acc. to EN ISO 13849-1

	Control of the guard locking
Category	Depending on external control of guard locking [2]
Performance Level	Depending on external control of guard locking [3]
PFH _D	Depending on external control of guard locking [4]
	Monitoring of guard locking and the safety guard position

B10_D

11,5 x 10⁶

in combination with Actuator BETAETIGER-S-GT-SN

Mechanical values and environment

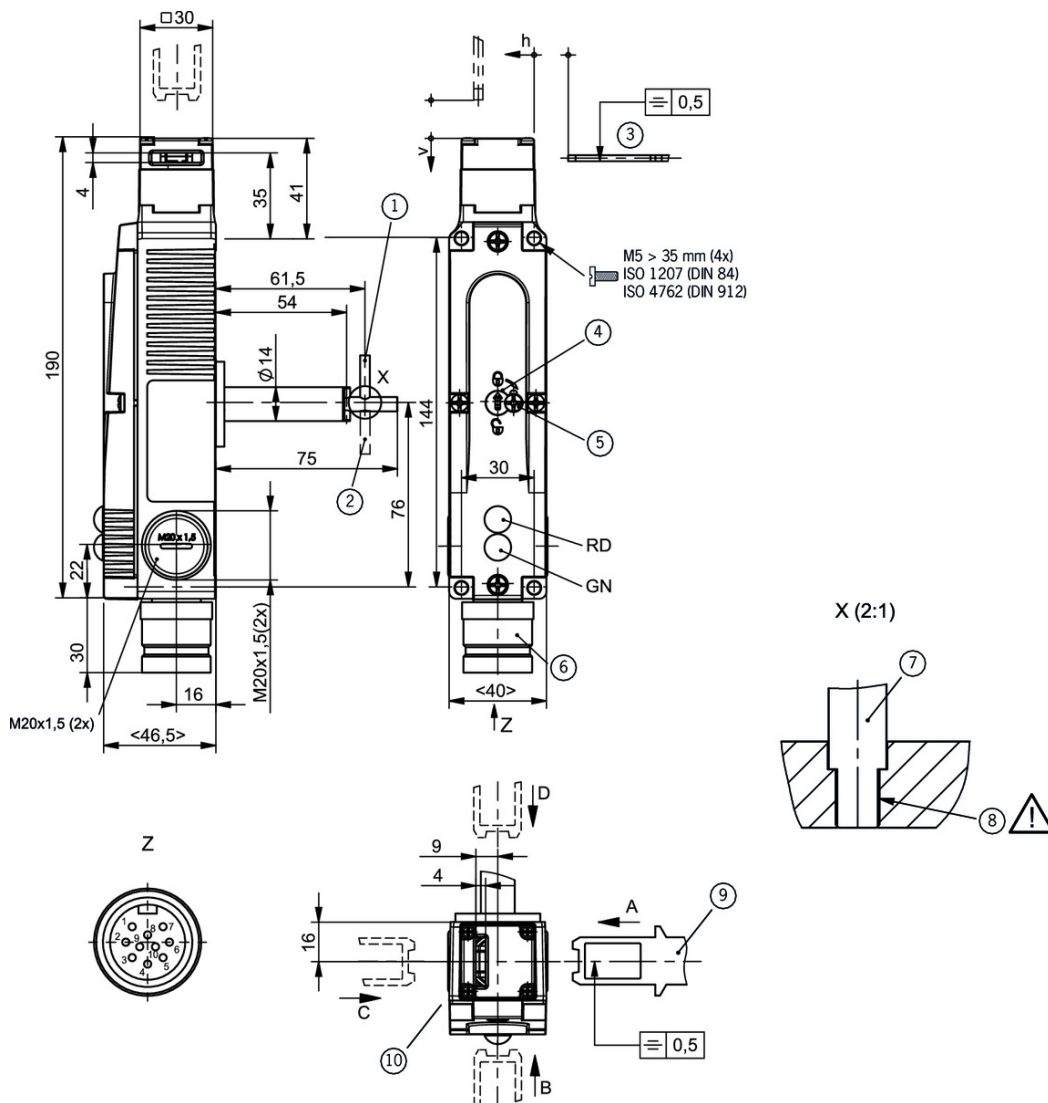
Overtravel

5 mm

[1] 9-pin + PE

[2, 3, 4] LEDs have the same ground potential as the guard locking solenoid.

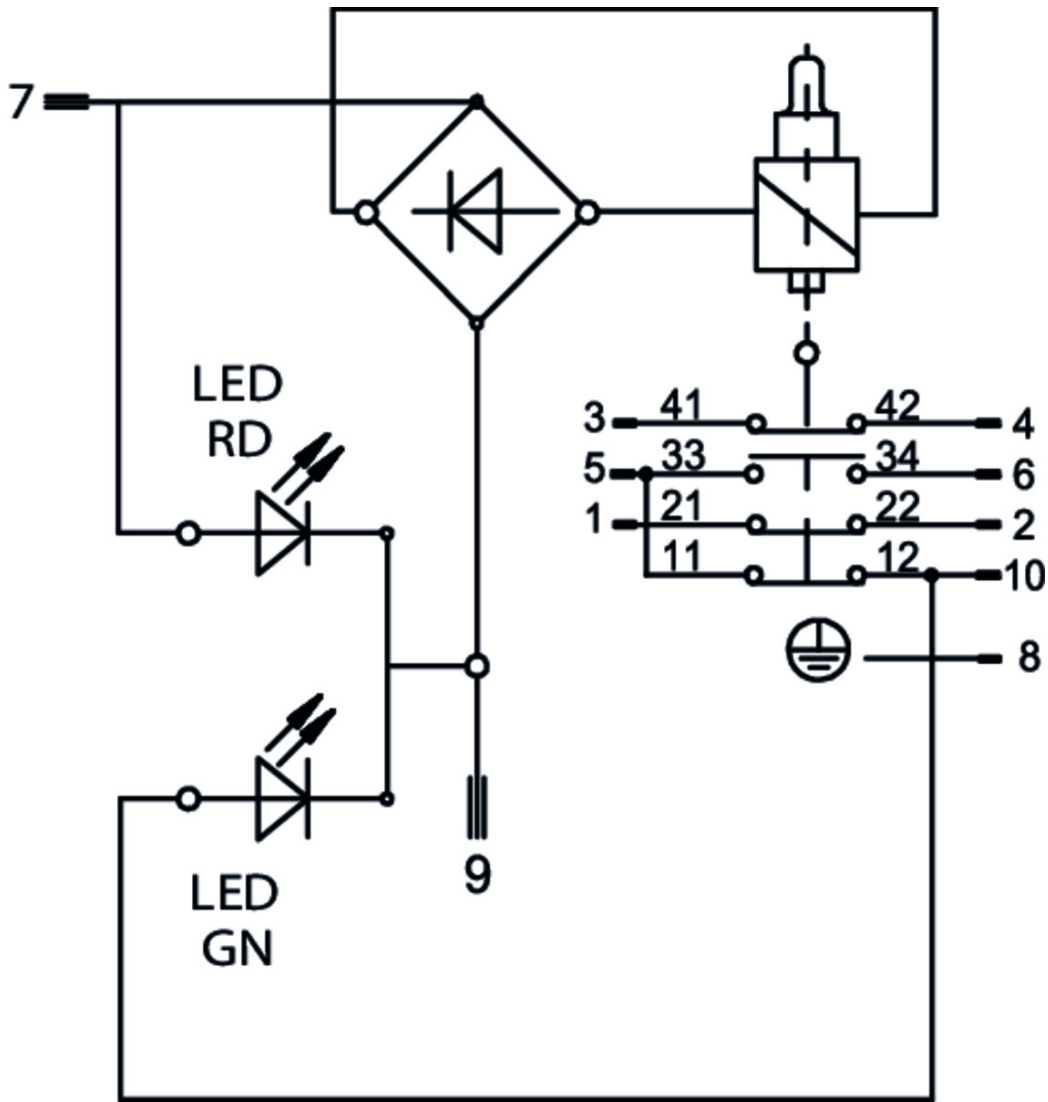
Dimension drawing



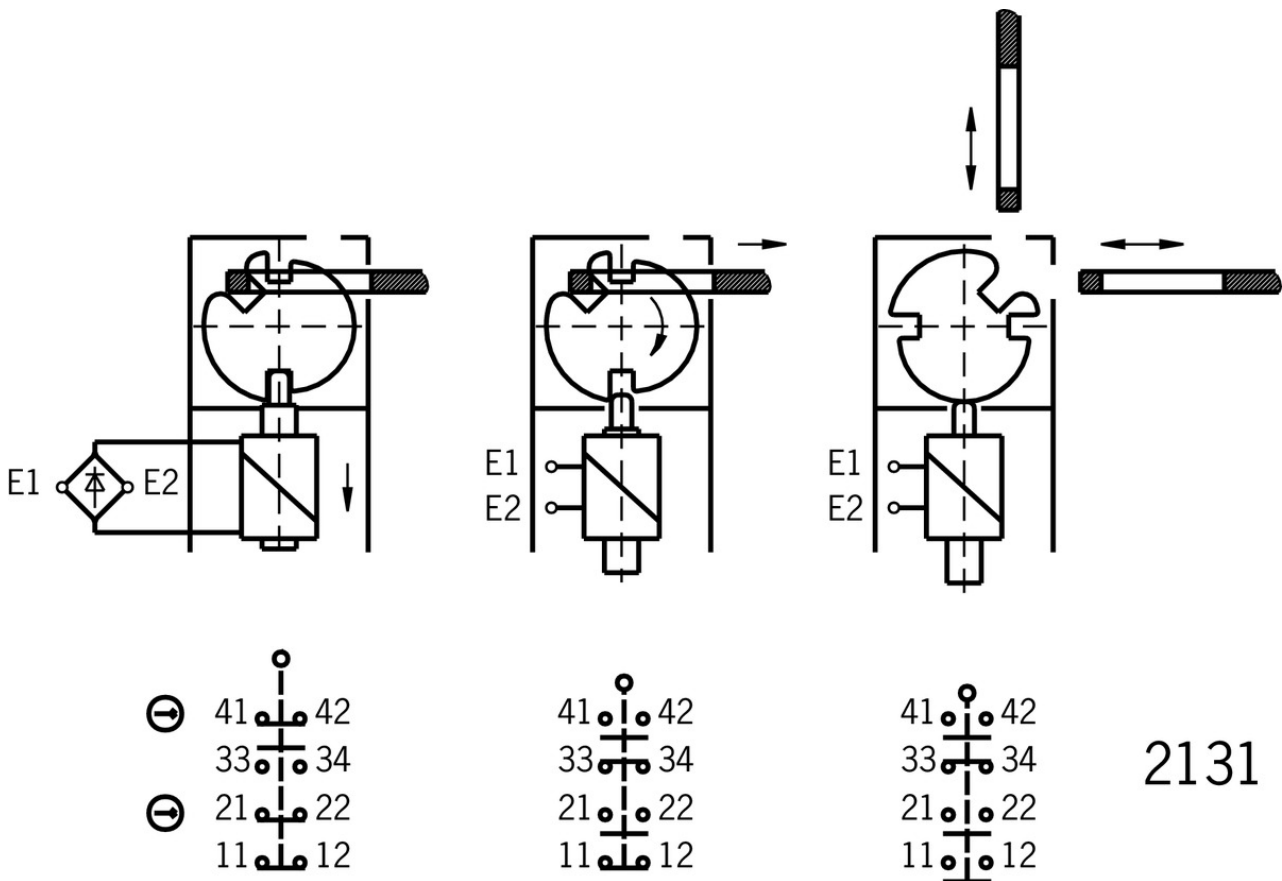
Legende

- 1 Escape release, basic position
- 2 Escape release, unlocked position
- 3 Safety switch and actuator must be placed together for mounting on the machine. Do not use actuating head as an end stop.
- 4 Auxiliary release
- 5 Locking screw
- 6 Built-in connector: MIN-10MR-1-18-M20 not aligned
- 7 Always install the escape release lever on the recessed side
- 8 Establish a positive connection between the shaft and lever
- 9 Order actuator separately
- 10 Actuating direction: Upon removal of the actuating head fixing screws, the approach direction can be changed to any 90° increment.

2131 C2398



Switching functions



2131

Mounting accessories

- ✓ Mounting plates EMP-B1 for actuators for safety switches CTP, TP...A, STA, STP, TX and TZ



093457 EMP-B1

- ✓ Mounting plates EMP-B2 for actuators for safety switches CTP, TP...A, STA, STP, TX and TZ



093458 EMP-B2

- ✓ Mounting plates EMP-SB for safety switches CTP, TP...A, STA, STP and TX



093456 EMP-SB

- ✓ Features

- › For vertical and horizontal mounting of safety switches TP...A, STA, STP and TX

- ✓ Switch bracket TP/STP GFK



096613 SCHALTERAUFNAHME TP/STP GFK

- ✓ Features

- › Switch bracket made of fiber glass reinforced plastic

- › For left or right hinged doors

Function expansion

- ▼ Handle for escape release for safety switches TP/STP/STA



105329 FE-GRIFF

- ▼ Emergency unlocking for safety switches STA



099876 NOTENTSPERRUNG STA

- ▼ Insertion funnel for safety switches SGP/STA/STP/STM/SGA



093157 EINFUEHRTRICHTER-S

- ▼ Lockout bar STA/STP/SGA/SGP/STM



105701 SPERREINSATZ STP/STA

- ▼ Features

- › Prevents unintentional closing of the door
- › Can be secured with padlocks

Actuator

- ▼ Actuator L, bent, for safety switches SGA/SGP/STA/STP/STM for insertion funnel



095741 BETAETIGER-S-WQT-LN

- ▼ Features

- › Two safety screws included
- › Actuators with rubber bushings

- ▼ Hinged actuator L left/right, for safety switches SGA/SGP/STA/STP/STM for insertion funnel



096844 RADIUSBETAETIGER-S-LR-LN

- ▼ Features

- › Actuators made of stainless steel
- › Two stainless safety screws per actuator
- › For doors hinged on right and left

- ▼ Actuator S, bent, for safety switches SGA/SGP/STA/STP/STM



095740 BETAETIGER-S-WQT-SN

- ▼ Features

- › Two safety screws included

▼ Hinged actuator S left/right for safety switches SGA/SGP/STA/STP/STM



096838 RADIUSBETAETIGER-S-LR-SN

▼ Features

- › Actuators made of stainless steel
- › Two safety screws included
- › For doors hinged on right and left

▼ Actuator S for safety switches SGA/SGP/STA/STP/STM



095738 BETAETIGER-S-GT-SN

▼ Features

- › Two safety screws included
- › Actuators with rubber bushings



097861 BETAETIGER-S-G-SN-C2115

▼ Features

- › Two safety screws included
- › Physically compatible with TP actuator P-G

▼ Actuator L for safety switches SGA/SGP/STA/STP/STM for insertion funnel



095739 BETAETIGER-S-GT-LN

▼ Features

- › Two safety screws included
- › Actuators with rubber bushings

▼ Hinged actuator S top/bottom for safety switches SGA/SGP/STA/STP/STM



095315 RADIUSBETAETIGER-S-OU-SN

▼ Features

- › Actuators made of stainless steel
- › Two safety screws included
- › For doors hinged at top and bottom

▼ Hinged actuator L top/bottom, for safety switches SGA/SGP/STA/STP/STM for insertion funnel



096697 RADIUSBETAETIGER-S-OU-LN

▼ Features

- › Actuators made of stainless steel
- › Two stainless safety screws per actuator
- › For doors hinged at top and bottom

Bolt

▼ Bolt BTC-ST/G... with escape release for safety switches STA, STP, SGP and SGA



106285 BTC-ST/G-S-TH-01-F

Features

- › Aluminum bolt
- › For doors hinged on the left or right
- › Lever for escape release from the danger area
- › Pushbutton in open position
- › Can be locked in open position with padlocks
- › Actuator included

▼ Bolt S-... with escape release for safety switches STA, STP, SGP and SGA



096391 RIEGEL S-CF

Features

- › Steel bolt
- › Lever for escape release from the danger area
- › For doors hinged on the left
- › Detent knob in open position
- › Can be locked in open position with padlocks
- › Actuator included



096390 RIEGEL S-AF

Features

- › Steel bolt
- › Lever for escape release from the danger area
- › For doors hinged on the right
- › Detent knob in open position
- › Can be locked in open position with padlocks
- › Actuator included

▼ Bolt BTC-ST/G... without escape release for safety switches STA, STP, SGP and SGA



106284 BTC-ST/G-S-TH-00-X


Features

- › Aluminum bolt
- › For doors hinged on the left or right
- › Can be locked in open position with padlocks
- › Actuator included

Instructions

▼ Инструкция по эксплуатации Предохранительный выключатель STA...

	Doc. no.	Version	Language	Download
Betriebsanleitung Sicherheitsschalter STA...	2096775	08-12/17		5.8 MB
Manual de instrucciones del interruptor de seguridad STA...				
Mode d'emploi pour les interrupteurs de sécurité STA...				
Operating Instructions Safety Switch STA...				

Инструкция по эксплуатации Предохранительный выключатель STA...	2096775	08-12/17		 1.7 MB
使用说明书 安全开关 STA...	2096775	08-12/17		 1.6 MB
Istruzioni d'impiego dei finecorsa di sicurezza STA...	2096775	08-12/17		 1.5 MB

Declaration of conformity

EU prohlášení o shodě

	Doc. no.	Version	Language	Download
EU-Konformitätserklärung Declaración UE de conformidad Déclaration UE de conformité Dichiarazione di conformità EU declaration of conformity	2077153	25-02/17	    	 0.3 MB
EU prohlášení o shodě EU-overensstemmelseserklæring Δήλωση συμμόρφωσης της ΕΕ EU-vaatimustenmukaisuusvakuutus EU-típusbizonyítvány EU-conformiteitsverklaring Deklaracja zgodności UE Declaração de Conformidade UE Declarația de conformitate UE EÚ vyhlásenie o zhode	2077153	25-02/17	         	 0.5 MB