

## ITEM 119838 RPS-M-3131SC175BHA10LL024

Description	Technical data	Accessories	Downloads
-------------	----------------	-------------	-----------



### Features

- › Metal housing
- › Emergency stop device with detent mechanism according to EN ISO 13850 and EN 60204-1
- › Clamping head for pull rope
- › Indication of correct rope tension
- › Plug connector MR10
- › LED left
- › Switching elements with 4 switching contacts

### Switching elements

**3131** Slow-action switching contact 2 NC  $\ominus$  + 2 NO

### Approvals



## Mechanical values and environment

Housing material	Die-cast aluminum
Weight	
Net	1 kg
Ambient temperature	-20 ... 50 °C
Degree of protection	IP65
Mechanical life	0,1 x 10 <sup>6</sup>
Switching principle	Slow-action switching contact
Rope diameter	2 ... 5 mm
Installation position	Any
Number of positively driven contacts	2
Number of NO contacts	2
Connection	Plug connector MR10 [1]
Actuation frequency	max.1200 1/h
Actuating force	175 N

## Electrical connection ratings

Rated thermal current I <sub>th</sub>	4 A
Utilization category according to EN 60947-5-1	
AC-15	3A 50V
DC-13	0.27A 50V
Short circuit protection according to IEC 60269-1	
(Fuse)	4A gG
Rated insulation voltage U <sub>i</sub>	50 V
Rated impulse withstand voltage U <sub>imp</sub>	2,5 kV
Switching current	
at 24V	min.10 mA
LED indicator	
DC	24V [2]

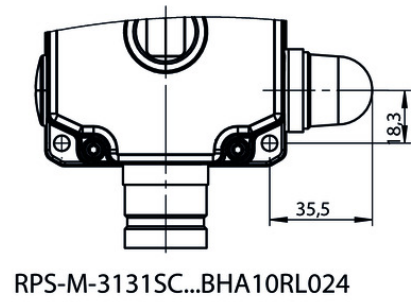
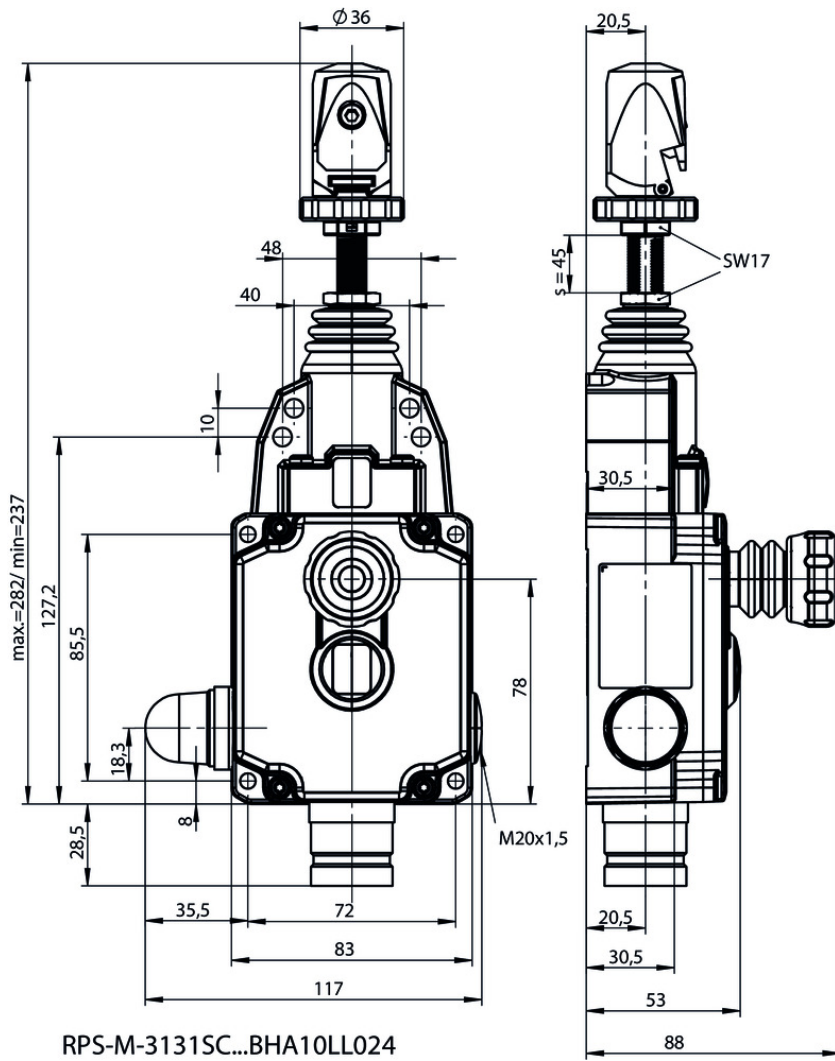
## Miscellaneous

Additional feature	Emergency stop function
--------------------	-------------------------

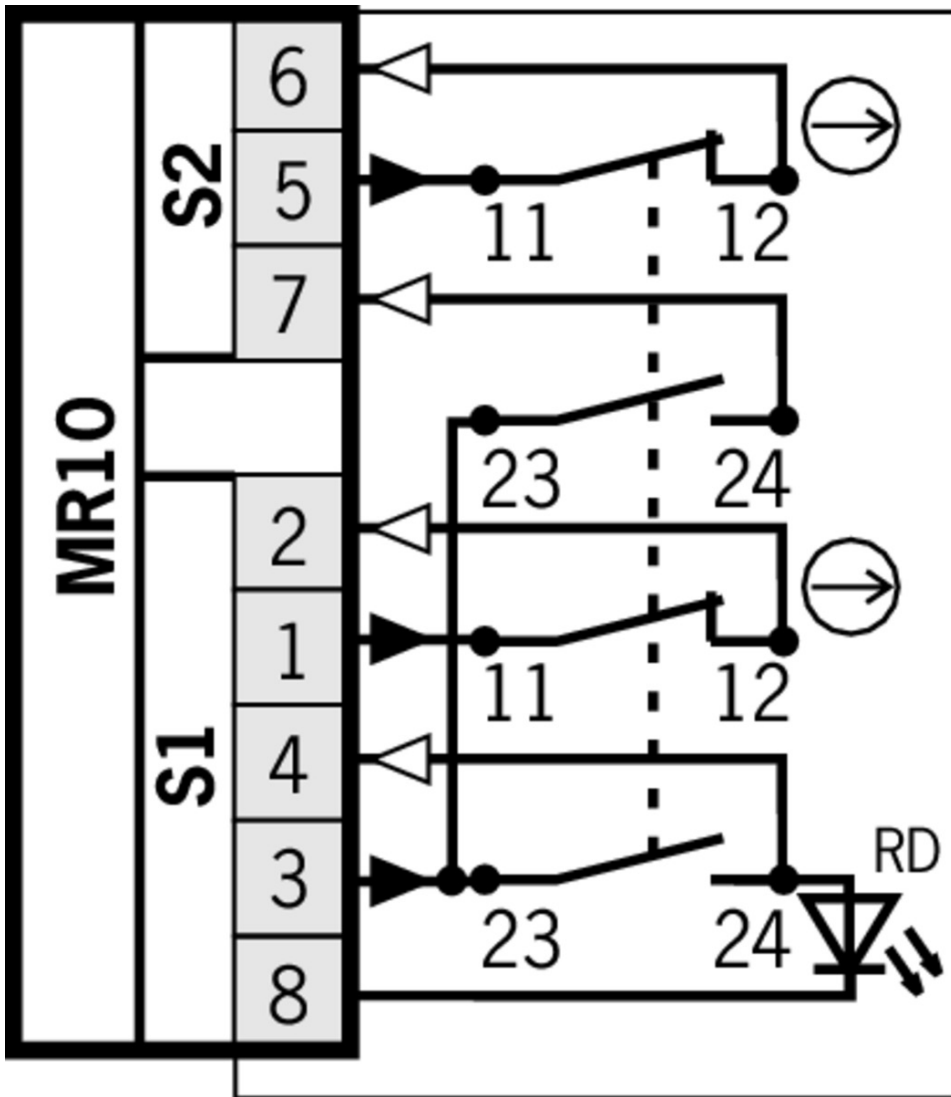
[1] 10-pin (without PE) - bottom

[2] Left switches red LED

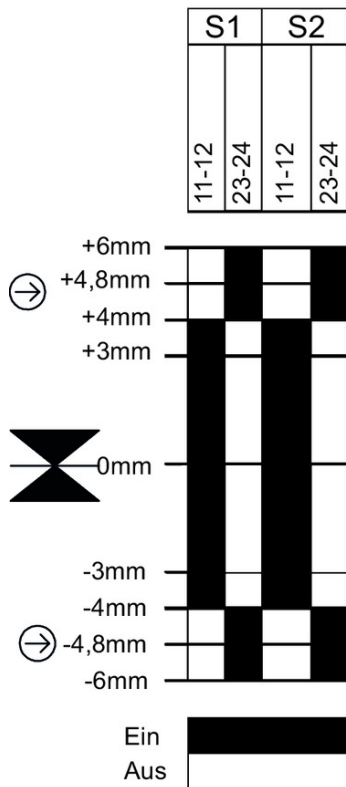
**Dimension drawing**



Wiring diagram



## Travel diagram



## Legende

Tolerance: Operating point  $\pm 0.5$  mm  
Actuating force  $\pm 15\%$

## Function expansion

### Built-in LED



**087423** EINBAULEUCHTE LED M20X1,5



**095510** EINBAULEUCHTE LED-F M20X1,5

## Mounting accessories

---

### ▼ Eyebolt for rope pull switches

**092495** RPS-O-8-50/V5

#### ▼ Features

- › Eyebolt with thread M8
- 

### ▼ Rope set for rope pull switches

**092496** RPS-RS/V5

#### ▼ Features

- › Rope set consisting of thimble and rope clamp
- 

### ▼ Pulley set RPS-PS/V5 for rope pull switches



**092501** RPS-PS/V5

#### ▼ Features

- › Pulley set consisting of rope pulley block and pulley support
- 

### ▼ Pulley set RPS-P/V1 for rope pull switches



**096251** RPS-P-7-70

#### ▼ Features

- › Pulley Ø 14mm
- 

### ▼ Turnbuckle for rope pull switches

**092498** RPS-B-6-60/V5

#### ▼ Features

- › Turnbuckle M6 x 60
- 

**092500** RPS-B-6-110

#### ▼ Features

- › Turnbuckle M6 x 100
- 

### ▼ Tensioner spring for rope pull switches



**092136** RPS-W-100/175

#### ▼ Features

- › Tensioner spring for tensile force 110 N / 175 N
- 

### ▼ Tensioning rope for rope pull switches



**092813** RPS-I-3-4/50M

#### ▼ Features

- › Tensioning rope with 50m length
-



### **092814** RPS-I-3-4/100M

- ▣ Features
    - › Tensioning rope with 100m length
- 

## Connection material

---

- ▣ Connection cable with plug connector MR10, 10-pin, 1.8m



### **102516** C-MINF10-10X1,0PU01,8-MA-102516

- ▣ Features
    - › MR10 female plug, 10-pin
    - › Straight plug connector
    - › PUR cable
    - › Cable length 1.8 m
    - › With flying lead
- 

- ▣ Connection cable with plug connector MR10, 10-pin, 3.6m



### **102517** C-MINF10-10X1,0PU03,6-MA-102517

- ▣ Features
    - › MR10 female plug, 10-pin
    - › Straight plug connector
    - › PUR cable
    - › Cable length 3.6 m
    - › With flying lead
- 

- ▣ Connection cable with plug connector MR10, 10-pin, 6m



### **102518** C-MINF10-10X1,0PU06,0-MA-102518

- ▣ Features
    - › MR10 female plug, 10-pin
    - › Straight plug connector
    - › PUR cable
    - › Cable length 6 m
    - › With flying lead
- 

- ▣ Connection cable with plug connector MR10, 10-pin, 9.1m



### **100956** C-MINF10-10X1,0PU09,1-MA-100956

- ▣ Features
    - › MR10 female plug, 10-pin
    - › Straight plug connector
    - › PUR cable
    - › Cable length 9.1 m
    - › With flying lead
- 

- ▣ Connection cable with plug connector MR10, 10-pin, 12.1m



### **102519** C-MINF10-10X1,0PU12,1-MA-102519

- ▣ Features

- › MR10 female plug, 10-pin
- › Straight plug connector
- › PUR cable
- › Cable length 12.1 m
- › With flying lead

▼ Connection cable with plug connector MR10, 10-pin, 15.2m



**102520** C-MINF10-10X1,0PU15,2-MA-102520

▼ Features

- › MR10 female plug, 10-pin
- › Straight plug connector
- › PUR cable
- › Cable length 15.2 m
- › With flying lead

▼ Connection cable with plug connector MR10, 10-pin, 18.2m



**102521** C-MINF10-10X1,0PU18,2-MA-102521

▼ Features

- › MR10 female plug, 10-pin
- › Straight plug connector
- › PUR cable
- › Cable length 18.2 m
- › With flying lead

## Instructions

▼ Betriebsanleitung Seilzugschalter RPS...

	Doc. no.	Version	Language	Download
Betriebsanleitung Seilzugschalter RPS...	2090276	08-01/18		2.7 MB
Operating Instructions for Rope Pull Switches RPS...	2090276	08-01/18		2.7 MB

## Catalogs






▼ Not-Halt-Geräte/Seilzugschalter Emergency Stop Devices/Rope Pull Switches Dispositifs d'arrêt d'urgence/interrupteurs à câble Dispositivos de parada de emergencia / Interruptores de accionamiento por cable

	Doc. no.	Version	Language	Download
Not-Halt-Geräte/Seilzugschalter	106210	06-06/16		1.9 MB
Dispositifs d'arrêt d'urgence/interrupteurs à câble	116529	06-06/16		1.9 MB
Dispositivos de parada de emergencia / Interruptores de accionamiento por cable	116530	06-06/16		1.9 MB
Emergency Stop Devices/Rope Pull Switches	116448	06-06/16		1.9 MB



## Declaration of conformity

 EU-Konformitätserklärung

	Doc. no.	Version	Language	Download
EU-Konformitätserklärung	2091952	03-04/17		 0.2 MB
Declaración UE de conformidad				
Déclaration UE de conformité				
Dichiarazione di conformità				
EU declaration of conformity			