

ITEM 119841 RPS-M-3131SC175BHA10RL024

Description	Technical data	Accessories	Downloads
-------------	----------------	-------------	-----------



Features

- › Metal housing
- › Emergency stop device with detent mechanism according to EN ISO 13850 and EN 60204-1
- › Clamping head for pull rope
- › Indication of correct rope tension
- › Plug connector MR10
- › LED right
- › Switching elements with 4 switching contacts

Switching elements

3131 Slow-action switching contact 2 NC \ominus + 2 NO

Approvals



Mechanical values and environment

Housing material	Die-cast aluminum
Weight	
Net	1 kg
Ambient temperature	-20 ... 50 °C
Degree of protection	IP65
Mechanical life	0,1 x 10 ⁶
Switching principle	Slow-action switching contact
Rope diameter	2 ... 5 mm
Installation position	Any
Number of positively driven contacts	2
Number of NO contacts	2
Connection	Plug connector MR10 [1]
Actuation frequency	max.1200 1/h
Actuating force	175 N

Electrical connection ratings

Rated thermal current I _{th}	4 A
Utilization category according to EN 60947-5-1	
AC-15	3A 50V
DC-13	0.27A 50V
Short circuit protection according to IEC 60269-1	
(Fuse)	4A gG
Rated insulation voltage U _i	50 V
Rated impulse withstand voltage U _{imp}	2,5 kV
Switching current	
at 24V	min.10 mA
LED indicator	
DC	24V [2]

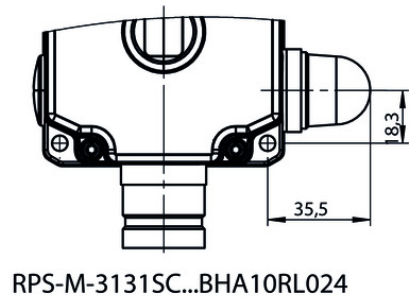
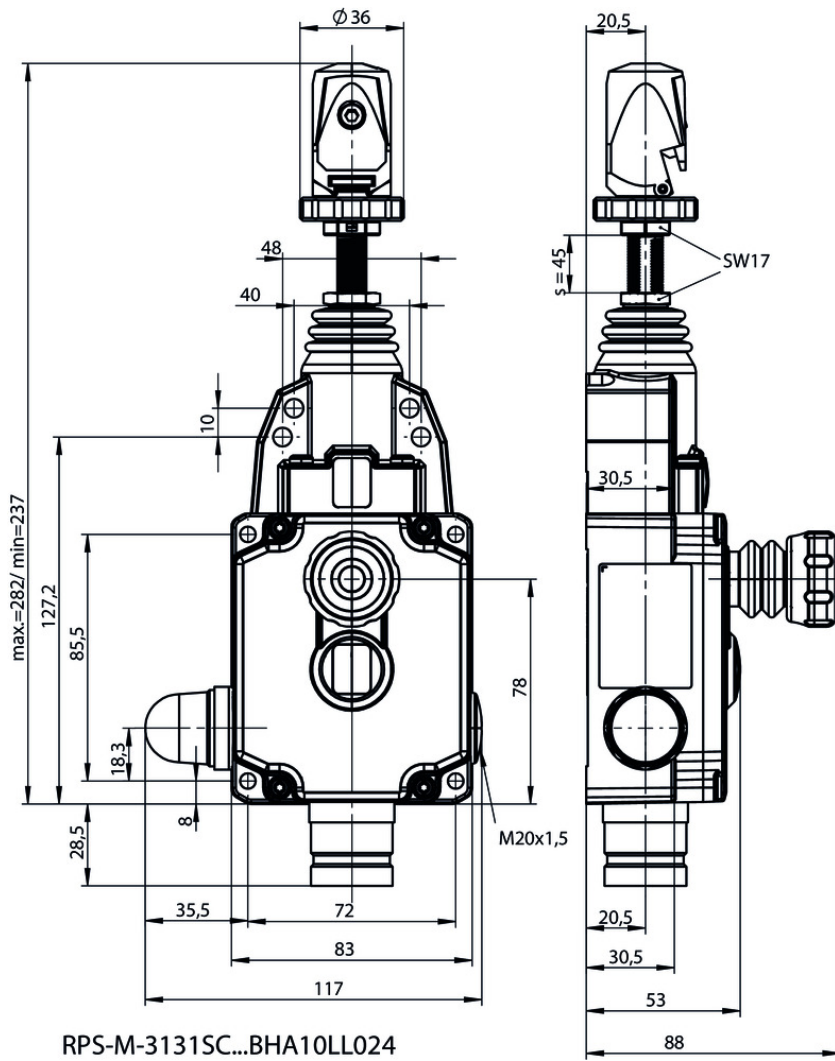
Miscellaneous

Additional feature	Emergency stop function
--------------------	-------------------------

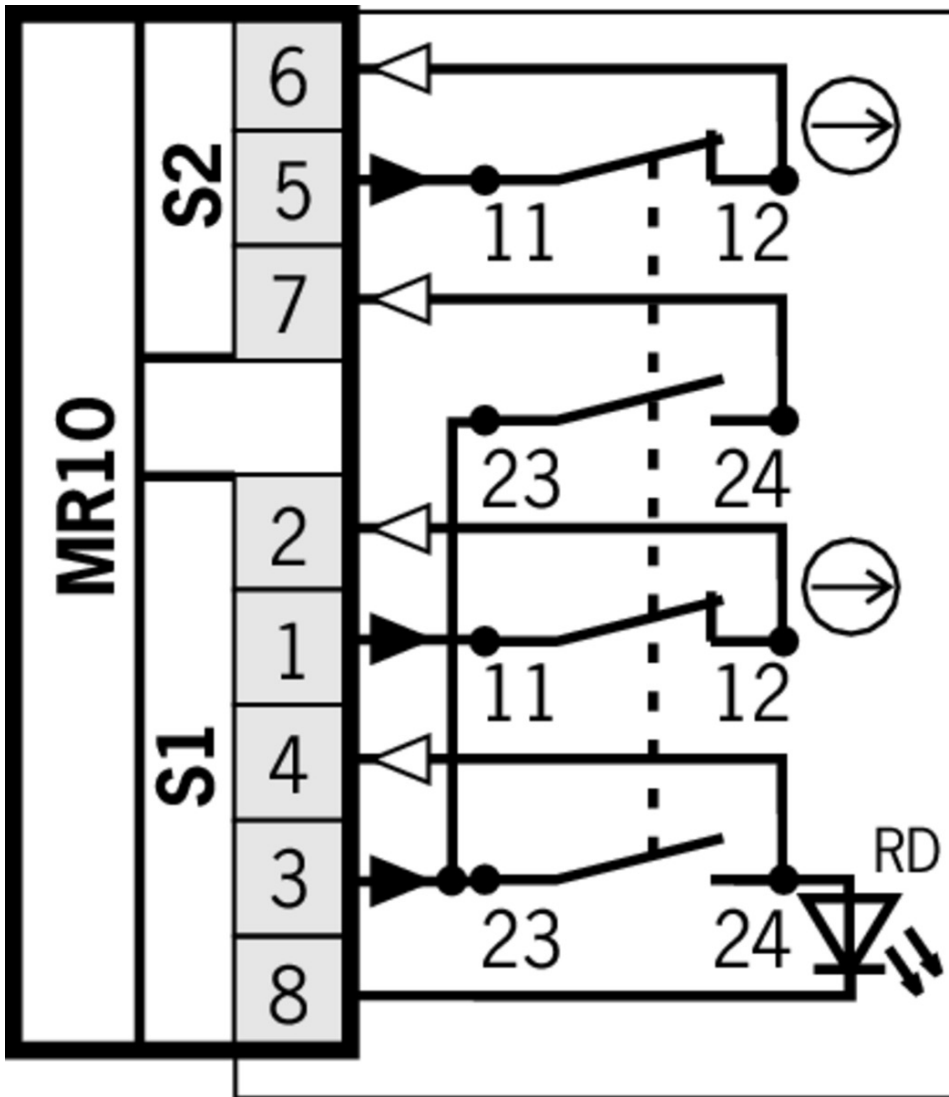
[1] 10-pin (without PE) - bottom

[2] Right switches red LED

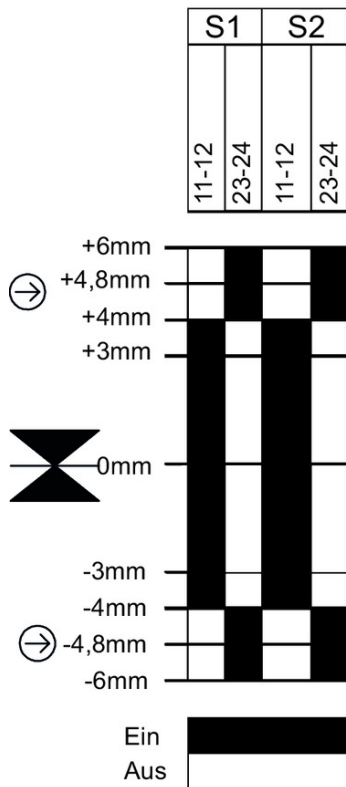
Dimension drawing



Wiring diagram



Travel diagram



Legende

Tolerance: Operating point ± 0.5 mm
Actuating force $\pm 15\%$

Mounting accessories

☑ Turnbuckle for rope pull switches

092500 RPS-B-6-110

☑ Features

- › Turnbuckle M6 x 100

092498 RPS-B-6-60/V5

☑ Features

- › Turnbuckle M6 x 60

▼ Tensioning rope for rope pull switches



092814 RPS-I-3-4/100M

▼ Features

- › Tensioning rope with 100m length



092813 RPS-I-3-4/50M

▼ Features

- › Tensioning rope with 50m length

▼ Eyebolt for rope pull switches

092495 RPS-O-8-50/V5

▼ Features

- › Eyebolt with thread M8

▼ Rope set for rope pull switches

092496 RPS-RS/V5

▼ Features

- › Rope set consisting of thimble and rope clamp

▼ Pulley set RPS-PS/V5 for rope pull switches



092501 RPS-PS/V5

▼ Features

- › Pulley set consisting of rope pulley block and pulley support

▼ Pulley set RPS-P/V1 for rope pull switches



096251 RPS-P-7-70

▼ Features

- › Pulley Ø 14mm

▼ Tensioner spring for rope pull switches



092136 RPS-W-100/175

▼ Features

- › Tensioner spring for tensile force 110 N / 175 N

Function expansion

▼ Built-in LED



095510 EINBAULEUCHTE LED-F M20X1,5



087423 EINBAULEUCHTE LED M20X1,5

Connection material

- Connection cable with plug connector MR10, 10-pin, 1.8m



102516 C-MINF10-10X1,0PU01,8-MA-102516

Features

- MR10 female plug, 10-pin
- Straight plug connector
- PUR cable
- Cable length 1.8 m
- With flying lead

- Connection cable with plug connector MR10, 10-pin, 3.6m



102517 C-MINF10-10X1,0PU03,6-MA-102517

Features

- MR10 female plug, 10-pin
- Straight plug connector
- PUR cable
- Cable length 3.6 m
- With flying lead

- Connection cable with plug connector MR10, 10-pin, 6m



102518 C-MINF10-10X1,0PU06,0-MA-102518

Features

- MR10 female plug, 10-pin
- Straight plug connector
- PUR cable
- Cable length 6 m
- With flying lead

- Connection cable with plug connector MR10, 10-pin, 9.1m



100956 C-MINF10-10X1,0PU09,1-MA-100956

Features

- MR10 female plug, 10-pin
- Straight plug connector
- PUR cable
- Cable length 9.1 m
- With flying lead

- Connection cable with plug connector MR10, 10-pin, 12.1m



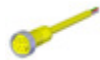
102519 C-MINF10-10X1,0PU12,1-MA-102519

Features

- MR10 female plug, 10-pin
- Straight plug connector

- › PUR cable
- › Cable length 12.1 m
- › With flying lead

▼ Connection cable with plug connector MR10, 10-pin, 15.2m

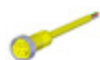


102520 C-MINF10-10X1,0PU15,2-MA-102520

▼ Features

- › MR10 female plug, 10-pin
- › Straight plug connector
- › PUR cable
- › Cable length 15.2 m
- › With flying lead

▼ Connection cable with plug connector MR10, 10-pin, 18.2m



102521 C-MINF10-10X1,0PU18,2-MA-102521

▼ Features

- › MR10 female plug, 10-pin
- › Straight plug connector
- › PUR cable
- › Cable length 18.2 m
- › With flying lead

Instructions

▼ Betriebsanleitung Seilzugschalter RPS...

	Doc. no.	Version	Language	Download
Betriebsanleitung Seilzugschalter RPS...	2090276	08-01/18		2.7 MB
Operating Instructions for Rope Pull Switches RPS...	2090276	08-01/18		2.7 MB






Catalogs

▼ Not-Halt-Geräte/Seilzugschalter Emergency Stop Devices/Rope Pull Switches Dispositifs d'arrêt d'urgence/interrupteurs à câble Dispositivos de parada de emergencia / Interruptores de accionamiento por cable

	Doc. no.	Version	Language	Download
Not-Halt-Geräte/Seilzugschalter	106210	06-06/16		1.9 MB
Dispositifs d'arrêt d'urgence/interrupteurs à câble	116529	06-06/16		1.9 MB
Dispositivos de parada de emergencia / Interruptores de accionamiento por cable	116530	06-06/16		1.9 MB
Emergency Stop Devices/Rope Pull Switches	116448	06-06/16		1.9 MB

Declaration of conformity

 EU-Konformitätserklärung

	Doc. no.	Version	Language	Download
EU-Konformitätserklärung	2091952	03-04/17		 0.2 MB
Declaración UE de conformidad				
Déclaration UE de conformité				
Dichiarazione di conformità				
EU declaration of conformity			