

**ITEM 111068 WKT1234DWZC2327**

Description	Technical data	Accessories	Downloads
-------------	----------------	-------------	-----------



**Features**

- › Front panel installation according to IEC 947-5-1 D30
- › Push button with actuating directions 1-4
- › Soldered connection
- › Locking in central position
- › Pushbutton in handle
- › Bellows

**Approvals**



**Mechanical values and environment**

Material	
	Housing thermoplastic/aluminum
	Switching lever stainless steel

	Bellows elastomer black <sup>[1]</sup>
Weight	
Net	0,17 kg
Ambient temperature	-5 ... 65 °C
Degree of protection	IP65 on the front with bellows
Mechanical life	min.1 x 10 <sup>6</sup>
Contact material	Gold
Switching principle	changeover contact C IEC 947-5-1 <sup>[2]</sup>
Center-position switch	1 changeover contact <sup>[3]</sup>
Mounting method	IEC 947-5-1 D30 <sup>[4]</sup>
Number of monitoring contacts	4 + 1 <sup>[5]</sup>
Connection	Soldered connection
Actuating directions	4 <sup>[6]</sup>
	<b>Pushbutton in handle</b>
Switching principle	1 changeover contact
Mechanical life	
(at 0.7A / 250V AC)	0,05 x 10 <sup>6</sup>

### Electrical connection ratings

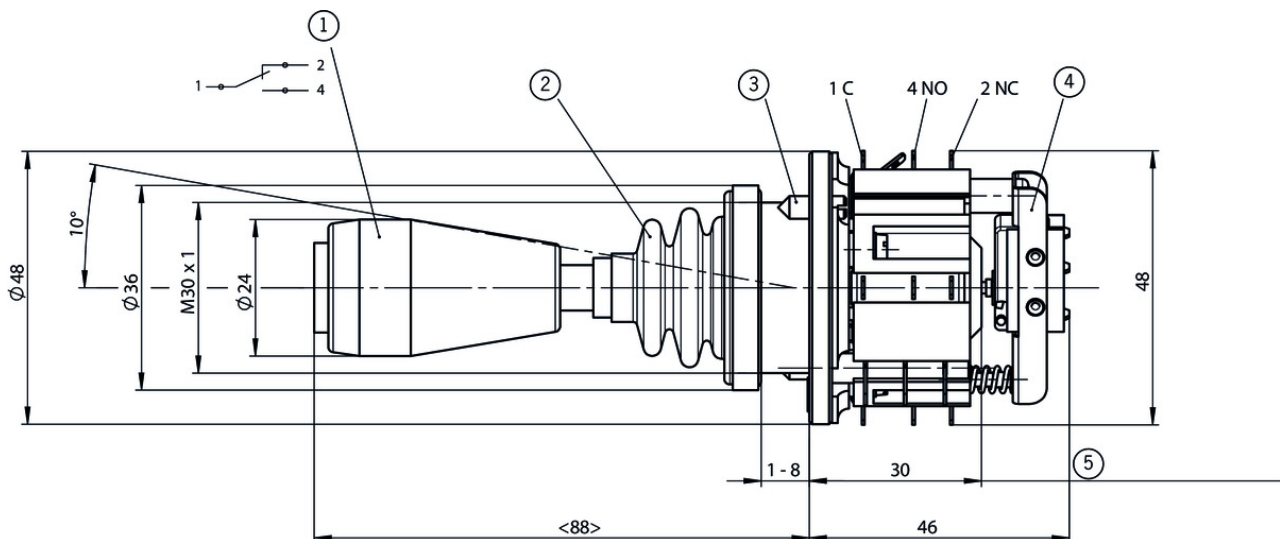
Utilization category according to EN 60947-5-1	
AC-15	230V 4A
DC-13	24V 2A
Short circuit protection according to IEC 60269-1	Slow-blow T6 / quick-blow F10
Rated insulation voltage U <sub>i</sub>	250 V
Rated impulse withstand voltage U <sub>imp</sub>	2,5 kV
Switching voltage	min.10 V
Switching current	
(at 24V)	min.12 mA
	<b>Pushbutton in handle</b>
Utilization category according to EN 60947-5-1	
AC-15	230V 2A
DC-13	24V 1A

### Miscellaneous

Additional feature	
	Pushbutton in handle
	Bellows
C number	

- [1] PAK arm
- [2] Snap-action contact element, design ES590
- [3] In neutral position (not actuated) NO contact closed, NC contact open
- [4] (Bore 30.5)
- [5] 4 directions and Z contact
- [6] Button
- [7] Switching element with soldered connection and gold contacts, changeover-contact pushbutton from EAO Lumitas with projecting button without protective cap, Z-contact screws glued

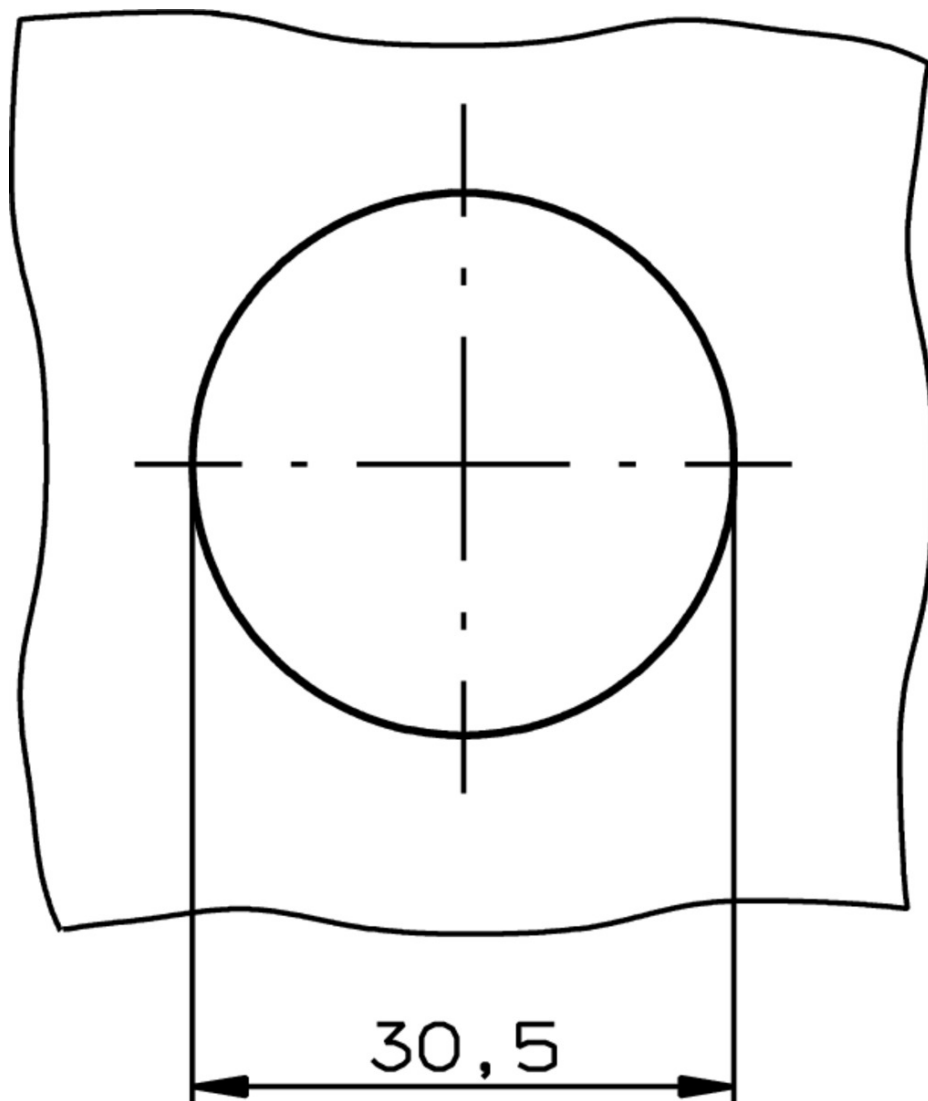
### Dimension drawing



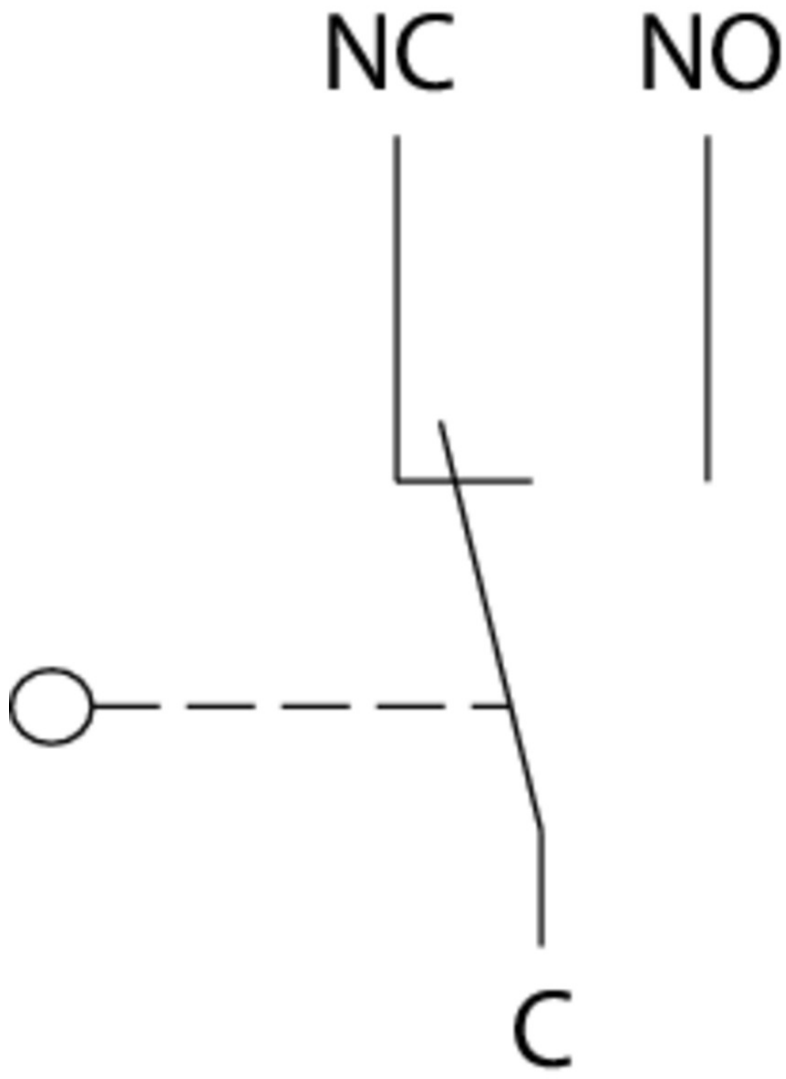
### Legende

- 1 Pushbutton "D" (changeover contact)
- 2 Bellows "W"
- 3 Screw
- 4 Center position switch "Z"
- 5 Without center position switch "Z"

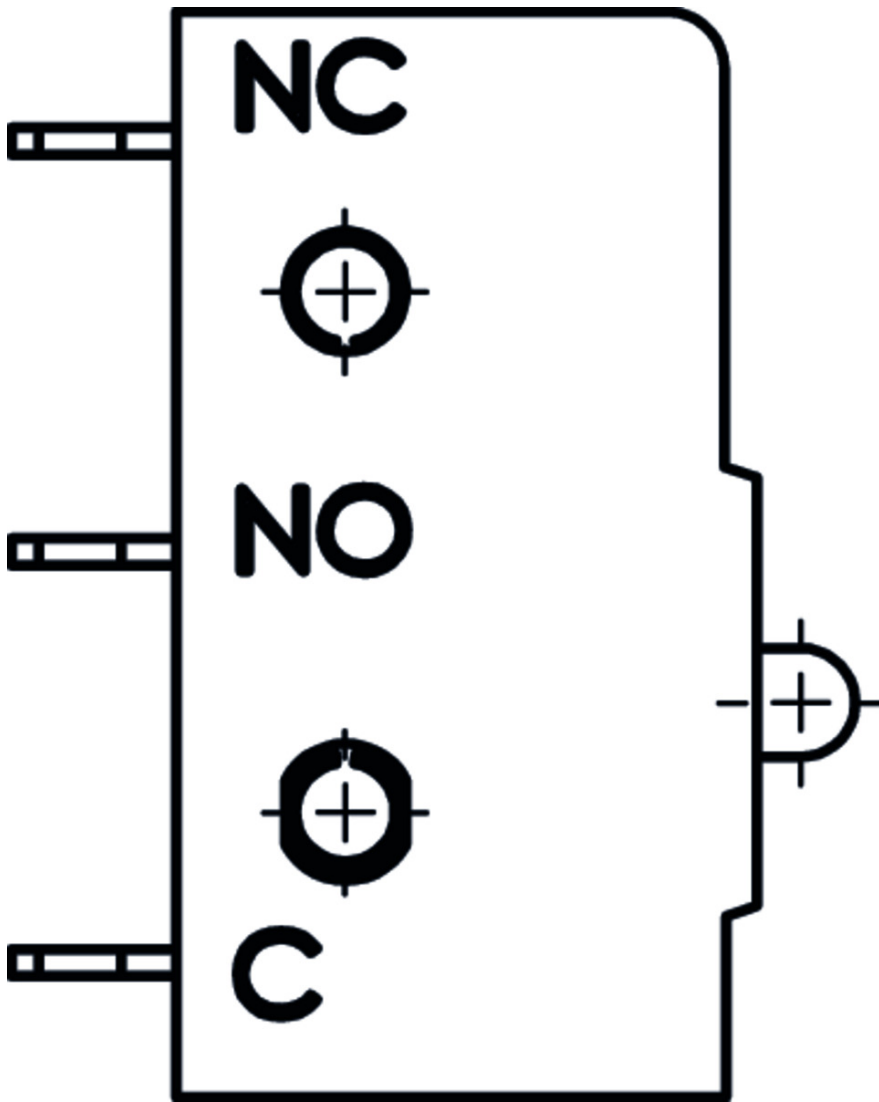
**Dimension drawing**



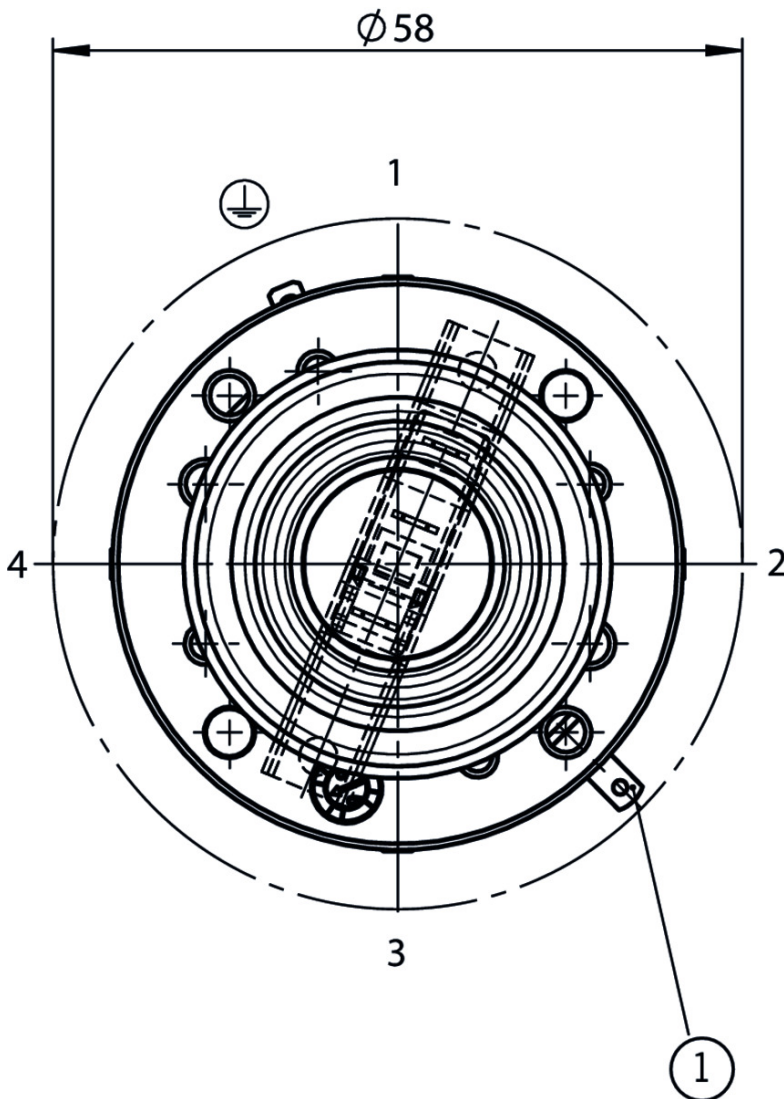
**Wiring diagram**



Wiring diagram



## Switching functions








## Legende

1 Connection "D"

## Declaration of conformity

EU-Konformitätserklärung

	Doc. no.	Version	Language	Download
EU-Konformitätserklärung	2108566	05-03/17		 0.2 MB
Declaración UE de conformidad				
Déclaration UE de conformité				
Dichiarazione di conformità				
EU declaration of conformity			