

**ITEM 078608 KCB1E1E1E1E0000WP163**

Description	Technical data	Accessories	Downloads
-------------	----------------	-------------	-----------



**Features**

- › Screw terminal
- › 4 actuating directions
- › Cone grip
- › Bellows for panel mounting (W)

**Approvals**



**Mechanical values and environment**

Material	
	Housing thermoplastic/aluminum
	Switching lever galvanized steel
	Bellows elastomer black <sup>[1]</sup>

Weight	Net	0,75 kg
Ambient temperature	Button	-5 ... 65 °C
	Switch	-25 ... 65 °C
Degree of protection		IP65 on the front with bellows <b>[2]</b>
Mechanical life		min.1 x 10 <sup>6</sup>
Contact material		Silver alloy
Switching principle		changeover contact C IEC 947-5-1 <b>[3]</b>
Mounting method		Panel cut-out depending on version X or W <b>[4]</b>
Number of monitoring contacts		4max.4 <b>[5]</b>
Connection		Screw terminal
Actuating directions		Max. 3 positions (0-1-2) possible per type and directionmax.4

### Electrical connection ratings

Utilization category according to EN 60947-5-1	AC-15	230V 4A
	DC-13	24V 2A
Short circuit protection according to IEC 60269-1		Slow-blow T6 / quick-blow F10
Rated insulation voltage U <sub>i</sub>		250 V
Rated impulse withstand voltage U <sub>imp</sub>		2,5 kV
Switching voltage		min.10 V
Switching current	(at 24V)	min.12 mA

### Miscellaneous

Additional feature		Bellows W for flush mounting
P number	P163	Lamprecht Maschinenbau <b>[6]</b>

**[1]** PAK arm

**[2]** Version W

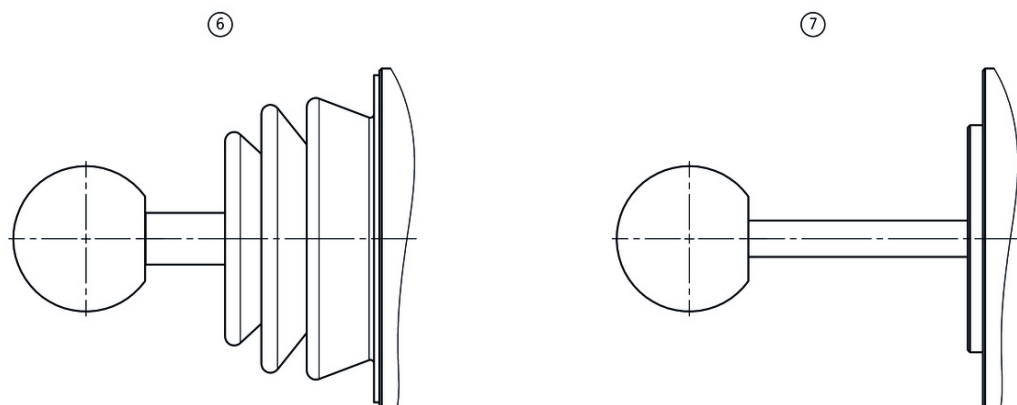
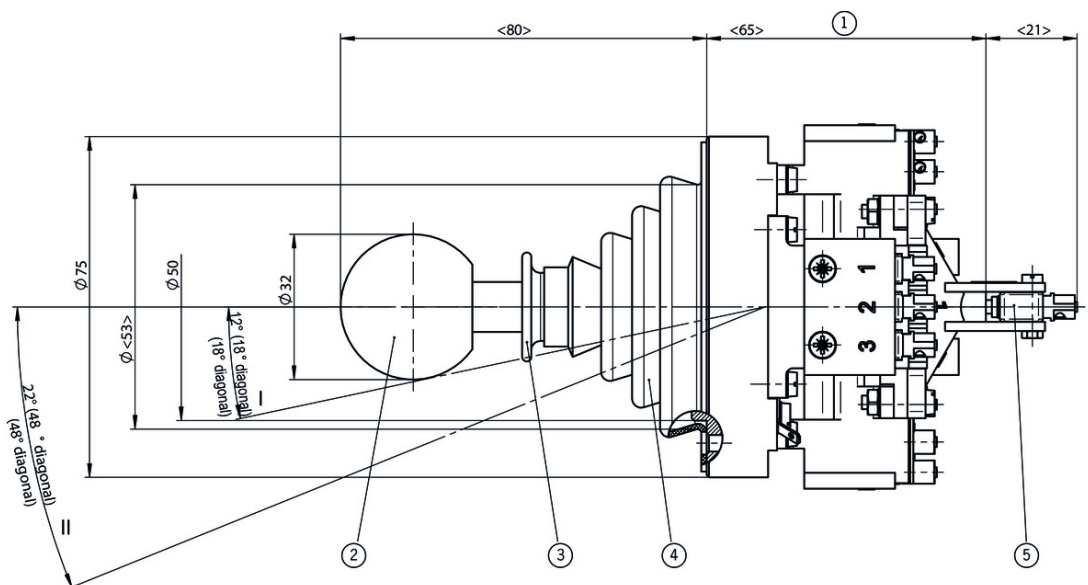
**[3]** Snap-action contact element, design ES556

**[4]** See drawing panel cut-out

**[5]** 4 directions x 1 switching element

**[6]** Switching lever 20mm shorter, cone grip Ø32

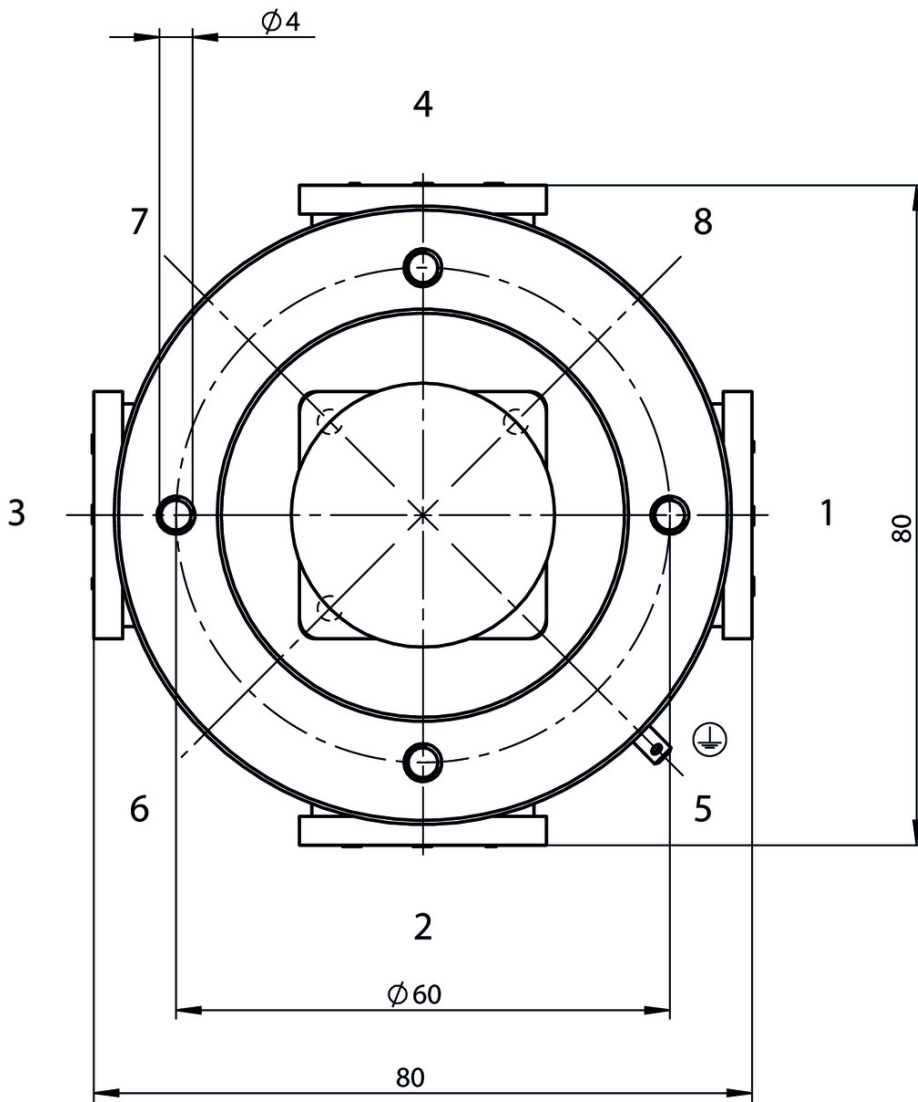
# Dimension drawing



## Legende

- 1 Without center position switch "Z"
- 2 Cone grip
- 3 Locking "V"
- 4 Bellows "W"
- 5 Center position switch "Z"
- 6 Version without locking, with bellows
- 7 Version without locking, without bellows

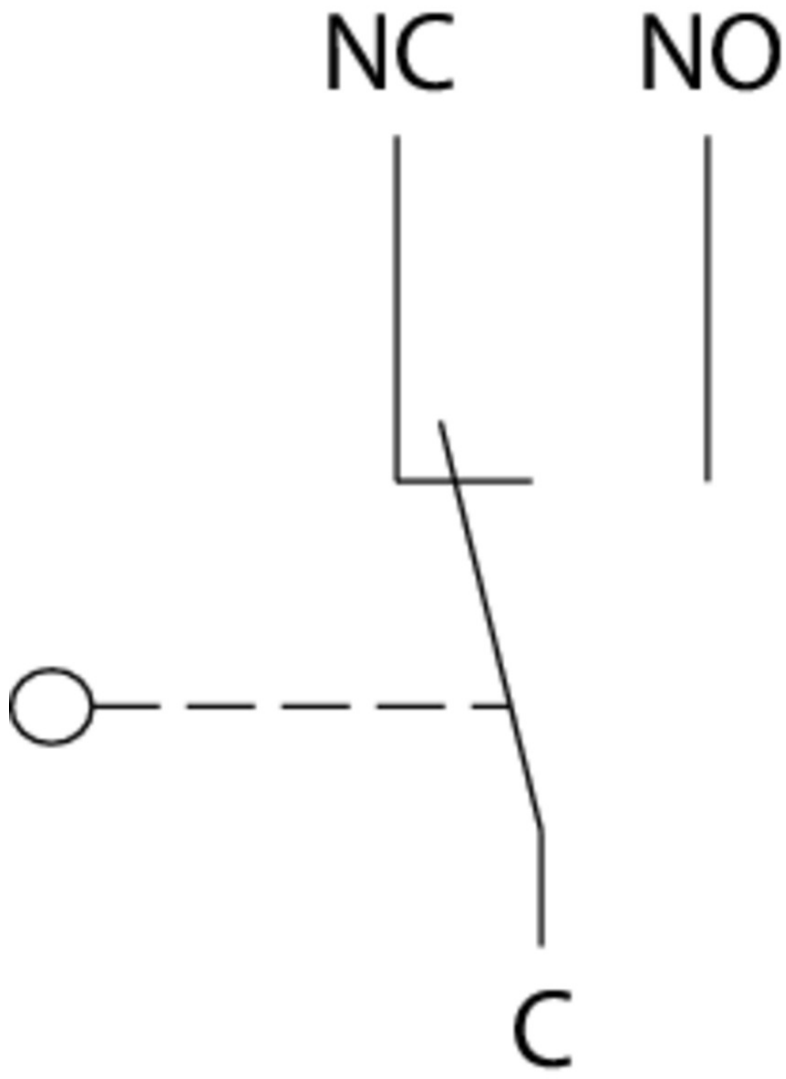
**Dimension drawing**



**Legende**

View drawn without bellows

**Wiring diagram**

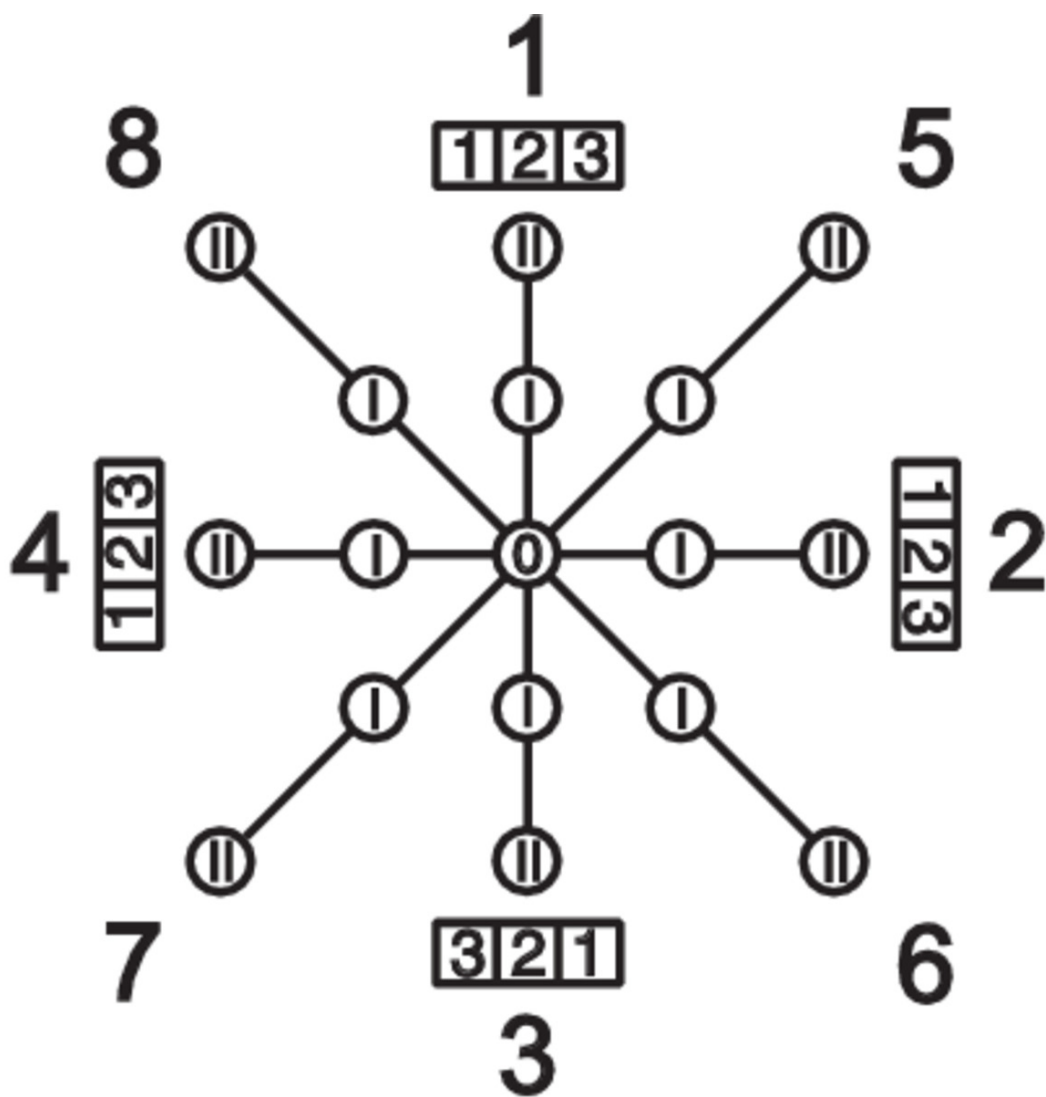


Wiring diagram

ES 556



Actuating directions



## Switching functions



## Declaration of conformity

EU-Konformitätserklärung

	Doc. no.	Version	Language	Download
EU-Konformitätserklärung Declaración UE de conformidad Déclaration UE de conformité Dichiarazione di conformità EU declaration of conformity	2108566	05-03/17	    	0.2 MB