

ITEM 105727 KCA4C004C000000DV0WP188V1

Description	Technical data	Accessories	Downloads
-------------	----------------	-------------	-----------



**Features**

- › Tab connector 2.8 x 0.5
- › 2 actuating directions
- › Illuminated pushbutton in handle (D)
- › Bellows for panel mounting (W)

**Approvals**



**Mechanical values and environment**

Material	
	Housing thermoplastic/aluminum
	Switching lever galvanized steel
	Bellows elastomer black <sup>[1]</sup>

Weight	Net	0,75 kg
Ambient temperature	Button	-5 ... 65 °C
	Switch	-25 ... 65 °C
Degree of protection		IP65 on the front with bellows [2]
Mechanical life		min.1 x 10 <sup>6</sup>
Contact material		Silver alloy
Switching principle		changeover contact C IEC 947-5-1 [3]
Mounting method		Panel cut-out depending on version X or W [4]
Number of monitoring contacts		4max.4 [5]
Connection		Tab connector 2.8 x 0.5 IEC 760
Actuating directions		Max. 3 positions (0-1-2) possible per type and directionmax.2
		<b>Pushbutton in handle</b>
Switching principle		2 contact
Insertion depth		3 mm

### Electrical connection ratings

Utilization category according to EN 60947-5-1	AC-15	230V 4A
	DC-13	24V 2A
Short circuit protection according to IEC 60269-1		Slow-blow T6 / quick-blow F10
Rated insulation voltage U <sub>i</sub>		250 V
Rated impulse withstand voltage U <sub>imp</sub>		2,5 kV
Switching voltage		min.10 V
Switching current	(at 24V)	min.12 mA
		<b>Pushbutton in handle</b>
Switching voltage		min.10 V
Switching current	(at 5V)	min.3 mA
Utilization category according to EN 60947-5-1	AC-15	230V 2A
	DC-13	24V 1A

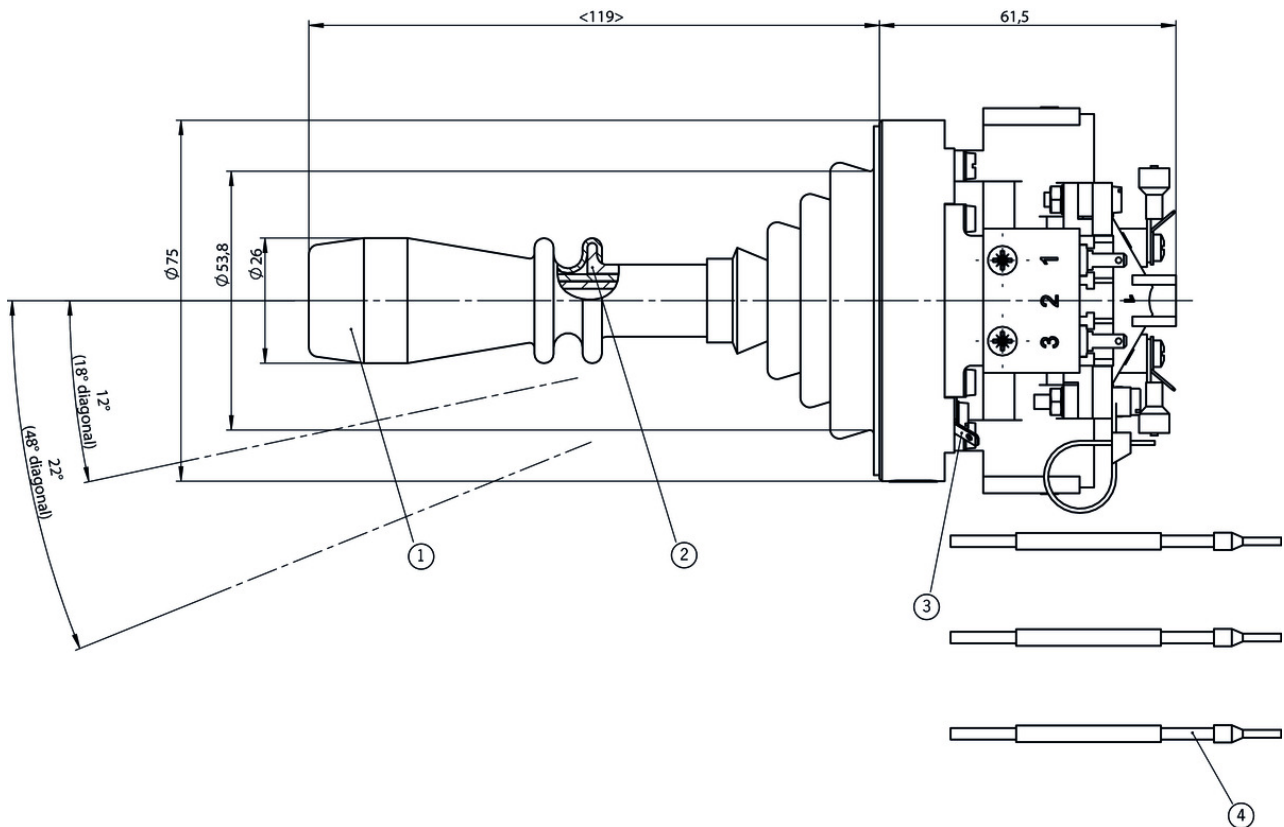
### Miscellaneous

Additional feature	
	Pushbutton in handle

	Locking in O position
	Bellows W for flush mounting
P number	P188 [6]

- [1] PAK arm
- [2] Version W
- [3] Snap-action contact element, design ES556
- [4] See drawing panel cut-out
- [5] 2 directions x 2 switching elements
- [6] Illuminated push button from Idec, with 2 NO contacts, wiring with 600-mm-long flexes with cable end sleeves

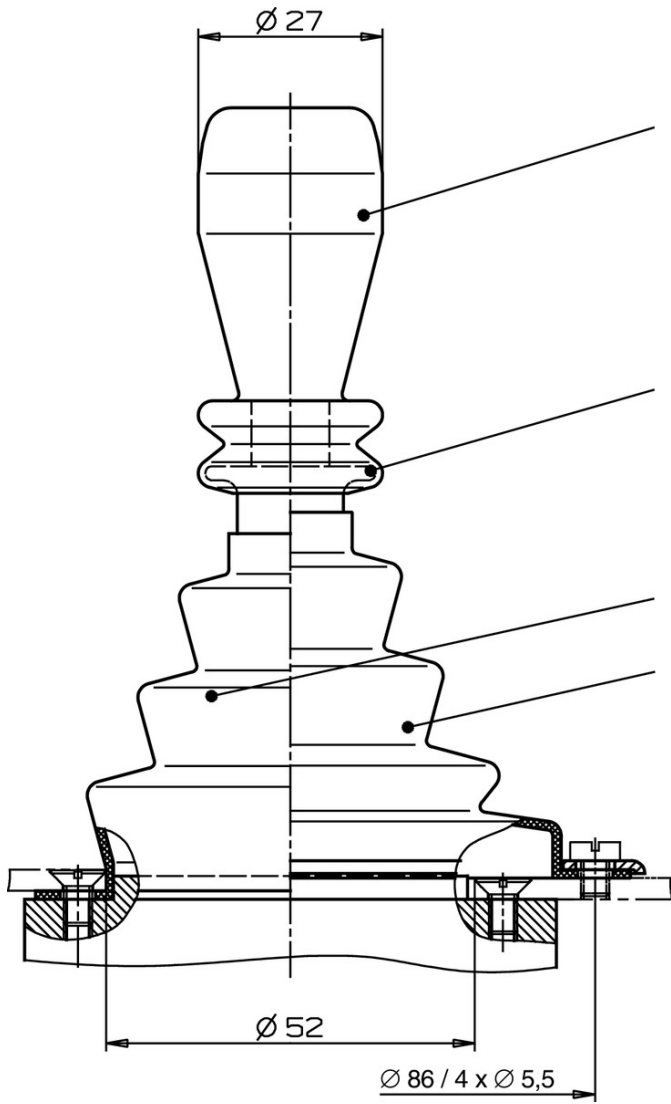
### Dimension drawing



### Legende

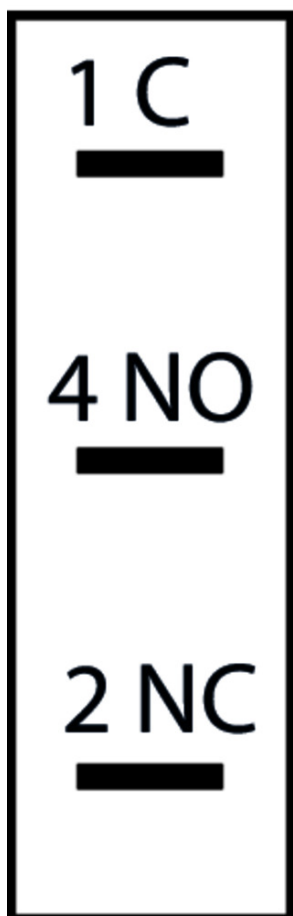
- 1 Pushbutton "D"
- 2 Locking "V"
- 3 Earth connection
- 4 8 flexes 0.75 mm<sup>2</sup> with cable end sleeves 600 long

**Dimension drawing**

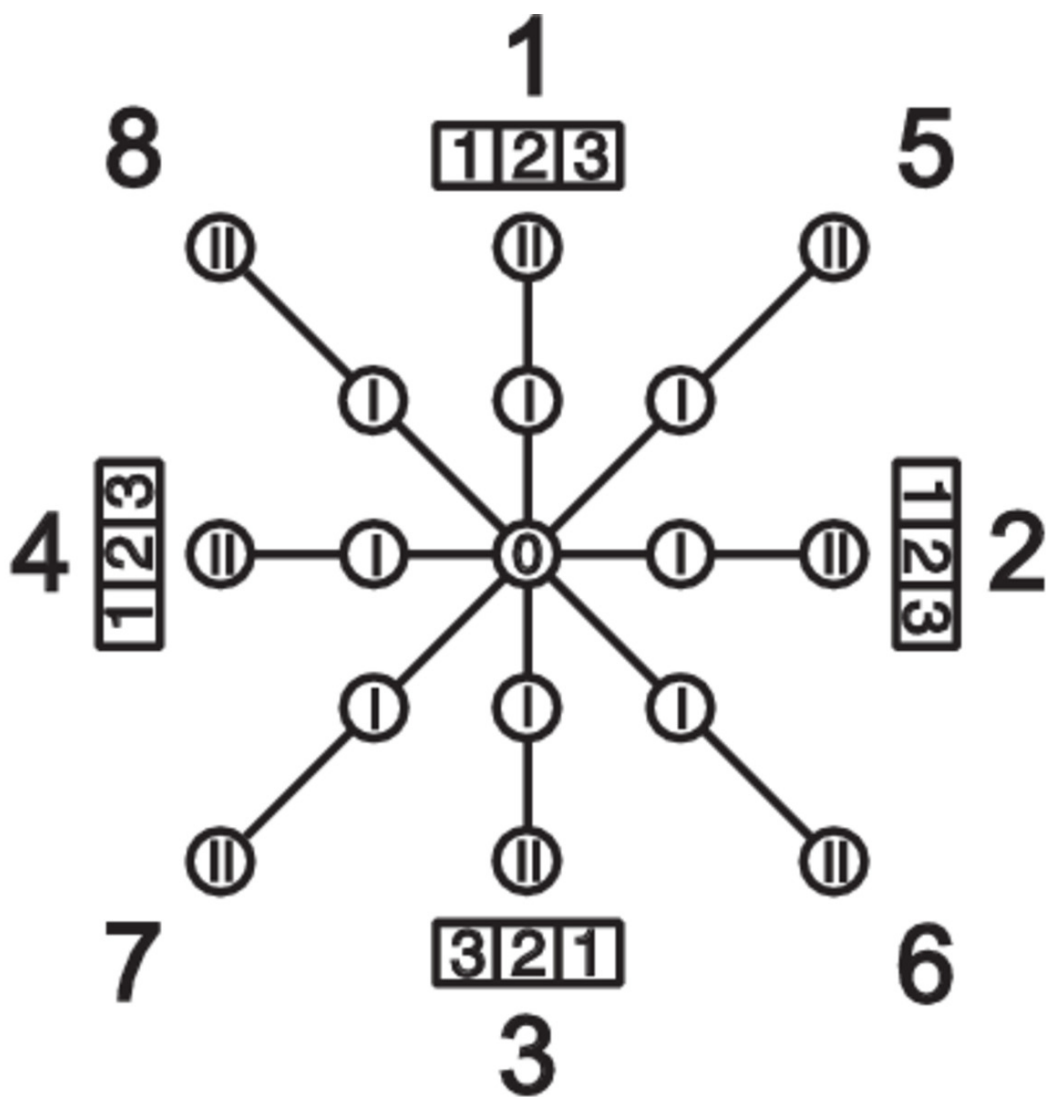


Wiring diagram

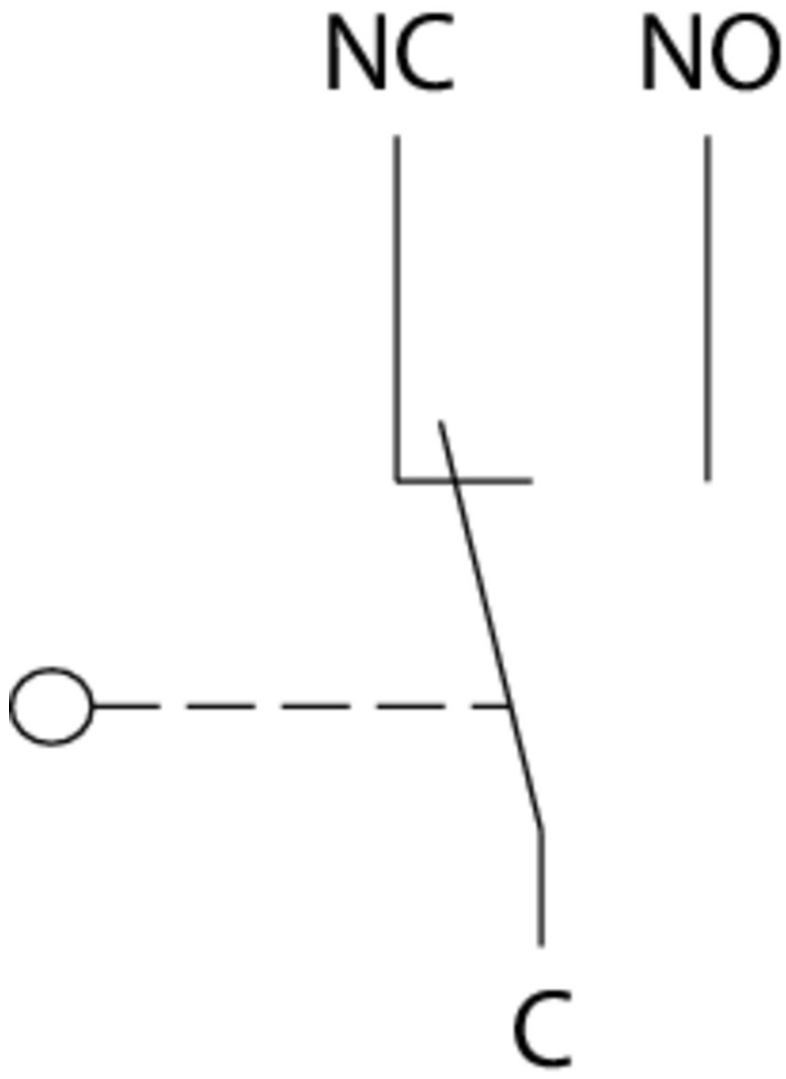
ES 587



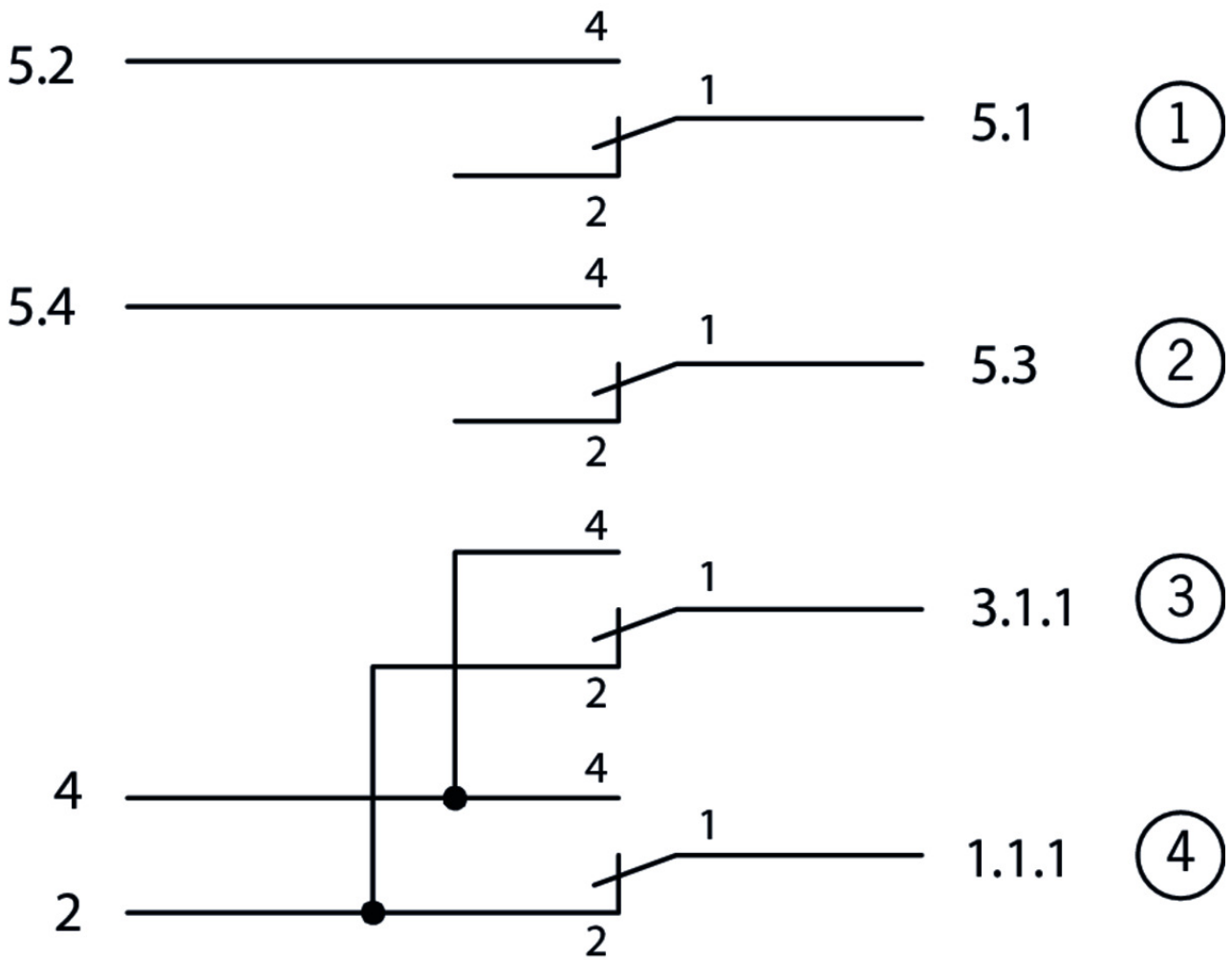
Actuating directions



**Wiring diagram**



**Switching functions**

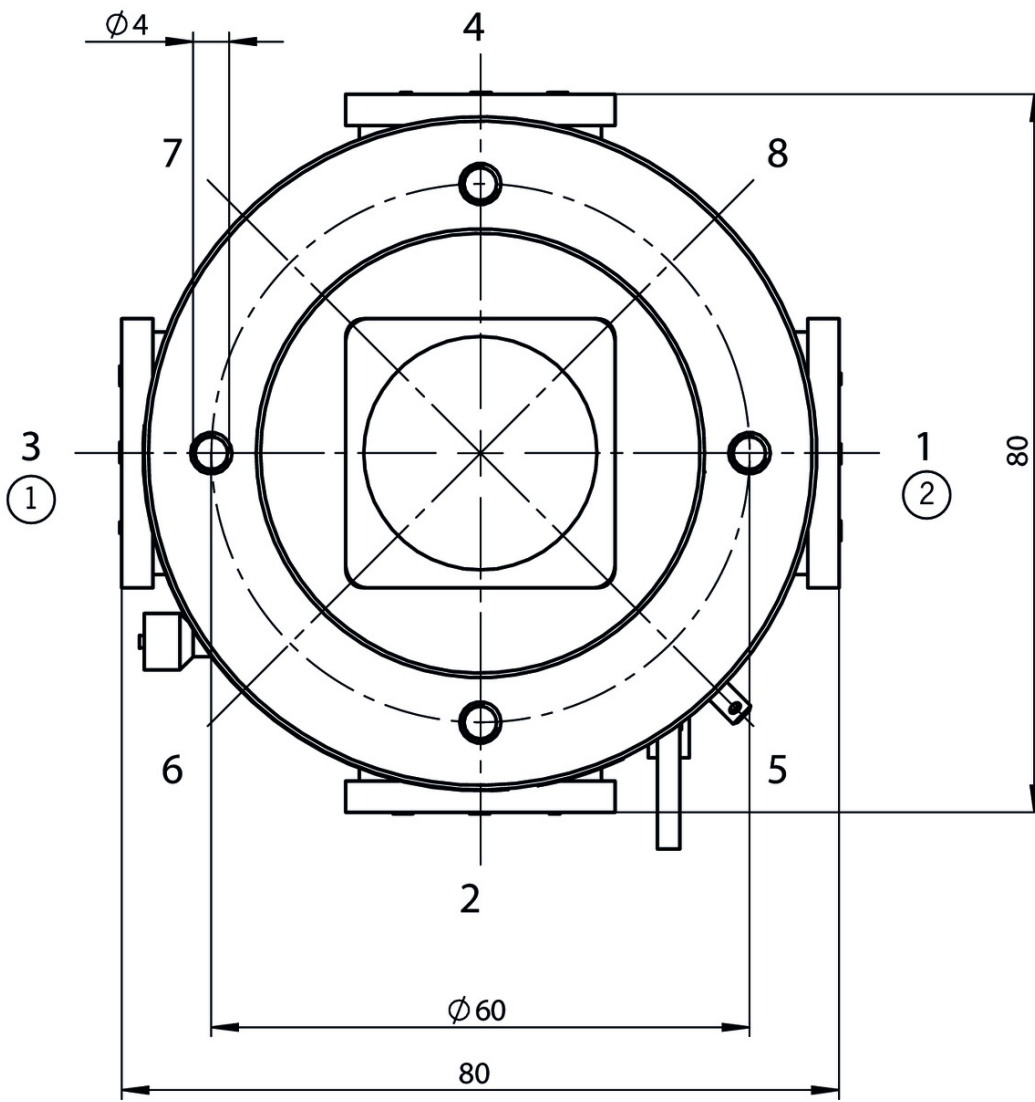


**Legende**

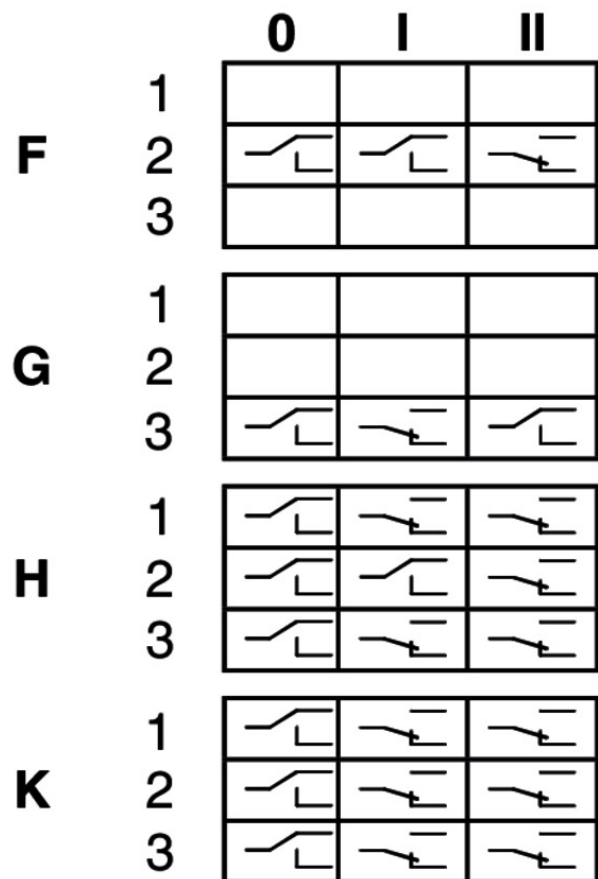
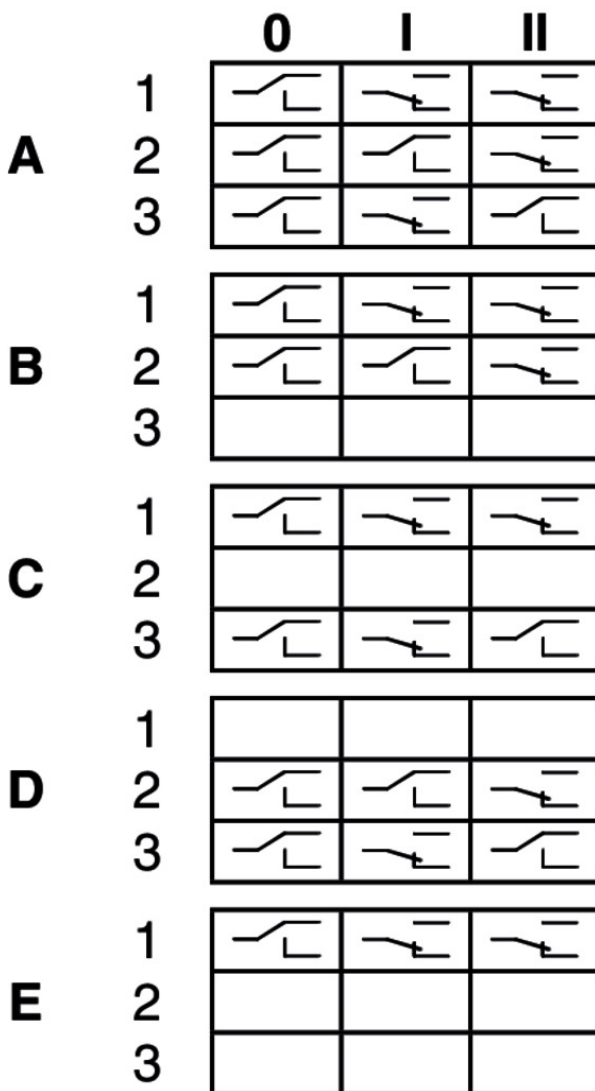
- 1 Pushbutton "D"
- 2 Pushbutton "D"
- 3 Counterclockwise (3/chamber 1)
- 4 Counterclockwise (1/chamber 1)



# Switching functions



## Switching functions



## Declaration of conformity

EU-Konformitätserklärung

	Doc. no.	Version	Language	Download
EU-Konformitätserklärung	2108566	05-03/17		0.2 MB
EU declaration of conformity				
Declaración UE de conformidad				
Déclaration UE de conformité				
Dichiarazione di conformità				