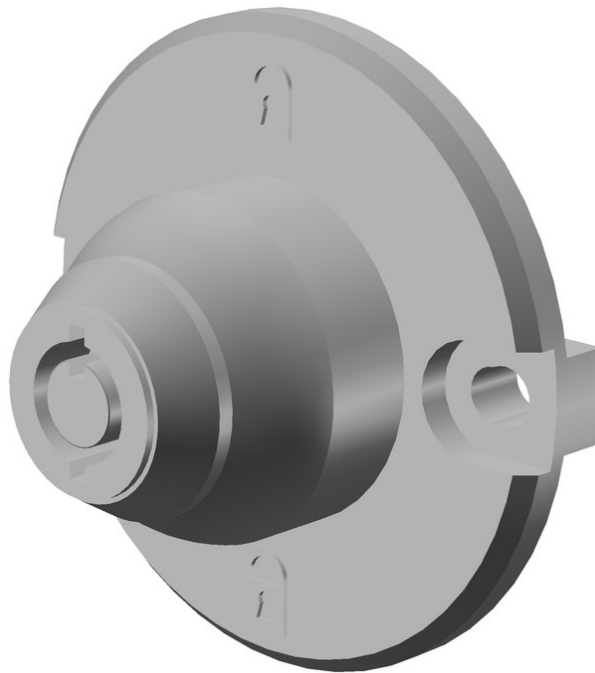


ITEM 105350 SCHLOSS STA GLEICHSCHLIESSEND

Description	Technical data	Accessories	Downloads
-------------	----------------	-------------	-----------



Features

- › Identical locking
- › Key removable in both positions

The lock is used in combination with safety switch STA. The mechanical key release enables authorized personnel to actuate the mechanical release using the related key. The unlocking mechanism holds the solenoid in the "unlocked" position. Two screws are used to fix the lock to the cover of the safety switch (above the auxiliary release).

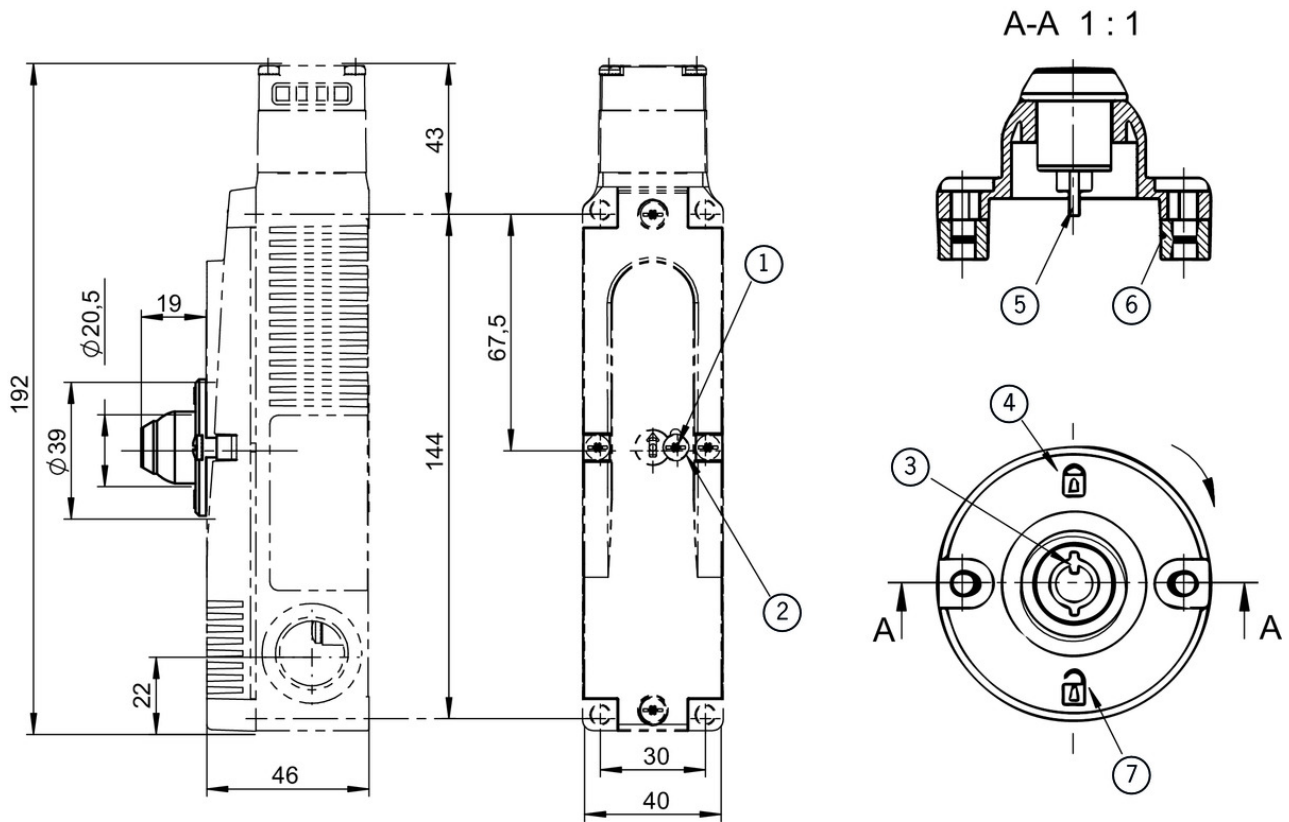
- › Order safety switch STA separately
- › 2 keys are included
- › Every safety switch of series STA can be upgraded to include a lock

Mechanical values and environment

Material	Plastic [1]
Removal position	two [2]
Closing type	Identical locking

- [1] Lock: Metal
- [2] 0° and 180°

Dimension drawing



Legende

- 1 Auxiliary release (basic position)
- 2 Locking screw
- 3 Position marking
- 4 Locked
- 5 Blade
- 6 Sleeve (2x)
- 7 unlocked

Spare parts


- Replacement key for mechanical key release



099434 ERSATZSCHLUESSEL GLEICHSCHL.0354

Catalogs

- ☑ Bezpečnostní spínače s plastovým pouzdem Sicherheitsschalter mit Kunststoffgehäuse Safety Switches with Plastic Housing Interruptores de seguridad con carcasa plástica Interrupteurs de sécurité avec boîtier plastique 塑料壳体 的安全开关

	Doc. no.	Version	Language	Download
Sicherheitsschalter mit Kunststoffgehäuse	096955	11-03/18		 6.6 MB
Interrupteurs de sécurité avec boîtier plastique	100677	11-03/18		 6.6 MB
Interruptores de seguridad con carcasa plástica	104855	11-03/18		 6.6 MB
Bezpečnostní spínače s plastovým pouzdem	121649	11-03/18		 6.6 MB
Safety Switches with Plastic Housing	096956	11-03/18		 6.6 MB
塑料壳体 的安全开关	116243	11-03/18		 6.2 MB