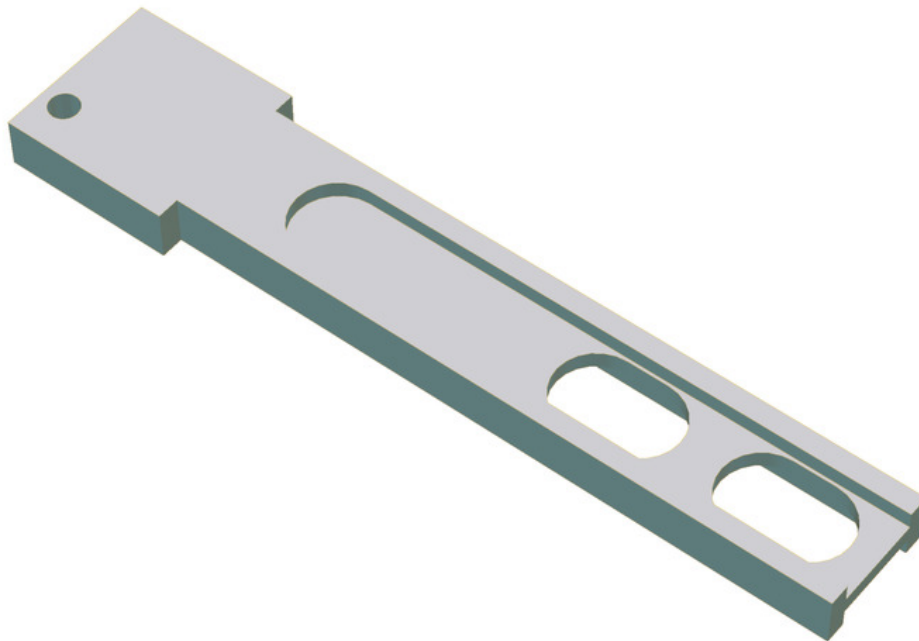


ITEM 102397 SPERREINSATZ-Z-ST

Description	Technical data	Accessories	Downloads
-------------	----------------	-------------	-----------



With the safety door open, it can be slid into the actuating head on a switch with separate actuator (NZ.VZ/TZ) instead of an actuator. Removal can be prevented using a commercially available padlock. For the protection of people in areas with a possible hazard.
Cannot be used in combination with the protective plate.

Mechanical values and environment

Material	Stainless steel
Pin diameter	0 ... 9,5 mm
Number of holes	2

Dimension drawing

