

ITEM 104102 NZ1PS-511L060-M

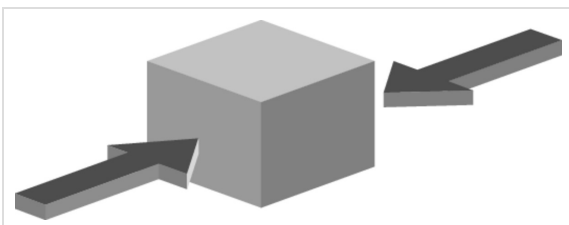
| Description | Technical data | Accessories | Downloads |
|-------------|----------------|-------------|-----------|
|-------------|----------------|-------------|-----------|



Features

- › Steel roller \varnothing 18 mm
- › Cable entry M20 x 1.5
- › LED indicator

Approach direction



- › Figure
Horizontal

Switching direction

Right, left or both sides

Lever arm adjustment

Lever arm length can be adjusted from 28 mm to 78 mm in steps of 12.5 mm.

LED function display

A function display is available for the following voltage range:

- › AC/DC 12-60 V red

Switching element

511 Snap-action switching contact 1 NC \ominus + 1 NO

Approvals



Mechanical values and environment

| | |
|----------------------------------------------------|-----------------------------------|
| Housing material | Anodized die-cast alloy |
| Weight | Net 0,3 kg |
| Ambient temperature | -25 ... 80 °C |
| Degree of protection | IP67 |
| Mechanical life | 30 x 10 ⁶ |
| Contact material | Silver alloy, gold flashed |
| Switching principle | Snap-action switching contact [1] |
| Installation position | Any |
| Number of door position positively driven contacts | 1 |
| Number of NO contacts | 1 |
| Approach speed | max. 0,5 ... 30 m/min |
| Actuating element | Plain bearing metal |
| | Lever arm adjustable [2] |
| Actuating force | min.15 N |

Electrical connection ratings

| | |
|---------------------------------------------------|-------------------------------|
| Rated thermal current I _{th} | 6 A |
| Utilization category according to EN 60947-5-1 | AC-15 6A 230V DC-13 6A 24V |
| Short circuit protection according to IEC 60269-1 | (Fuse) 6A gG |

| | |
|--------------------------------------------------|-------------------------------|
| Rated insulation voltage U _i | 250 V |
| Rated impulse withstand voltage U _{imp} | 2,5 kV |
| Switching current | |
| Min. at DC 24V | 10 mA |
| Connection cross-section | 0,34 ... 0,75 mm ² |
| Display module | |
| AC/DC | 12 ... 60 V 60 V LED red |

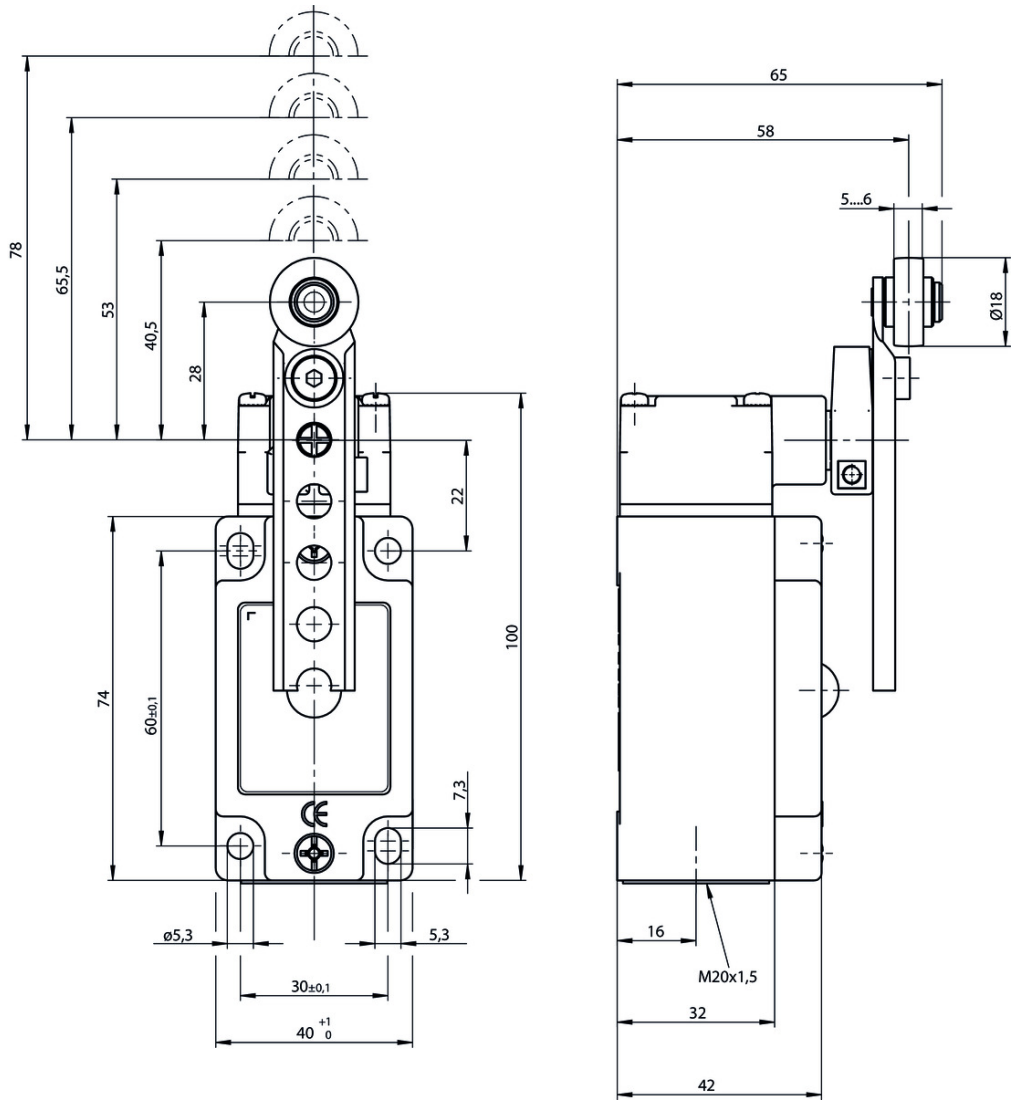
Reliability values acc. to EN ISO 13849-1

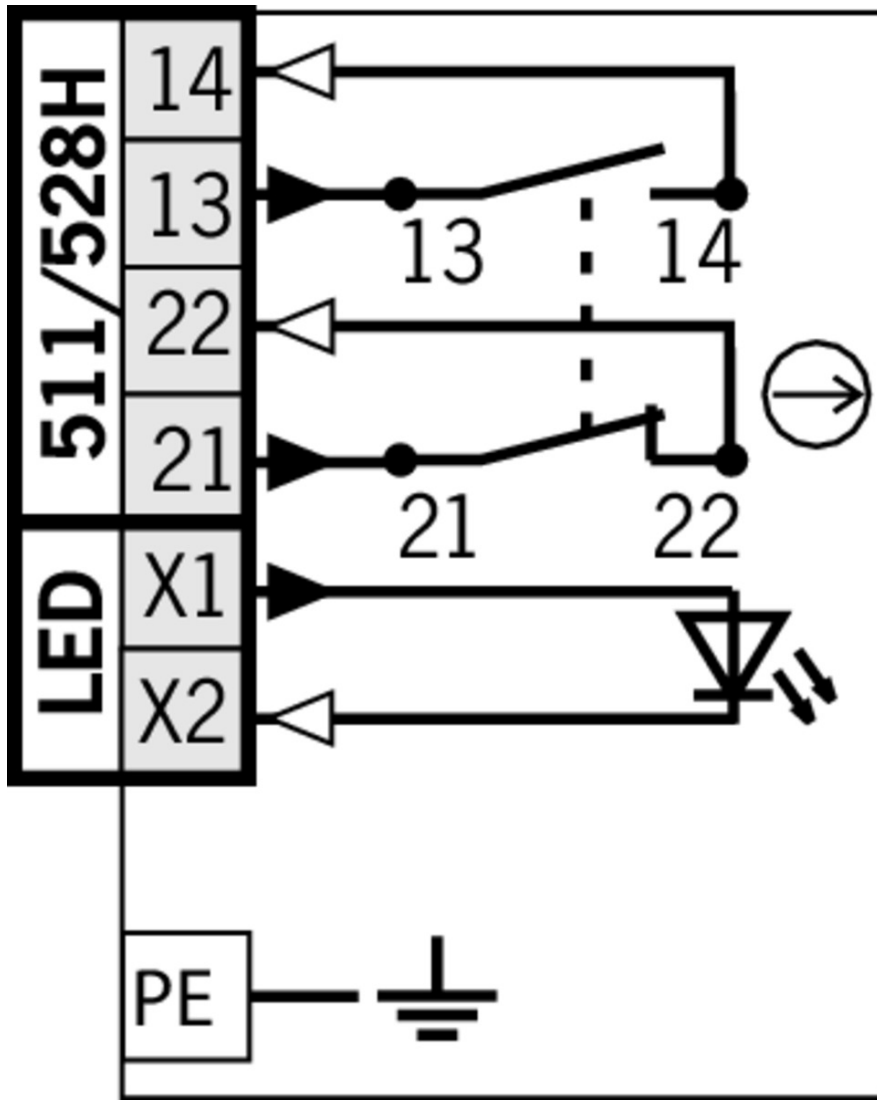
| | |
|------------------|------------------------------------------------|
| | Monitoring of the safety guard position |
| B10 _D | 20 x 10 ⁶ |

[1] Contact closing time <4 contact bounce time <3

[2] d roller = 18 mm length 28 - 78 mm

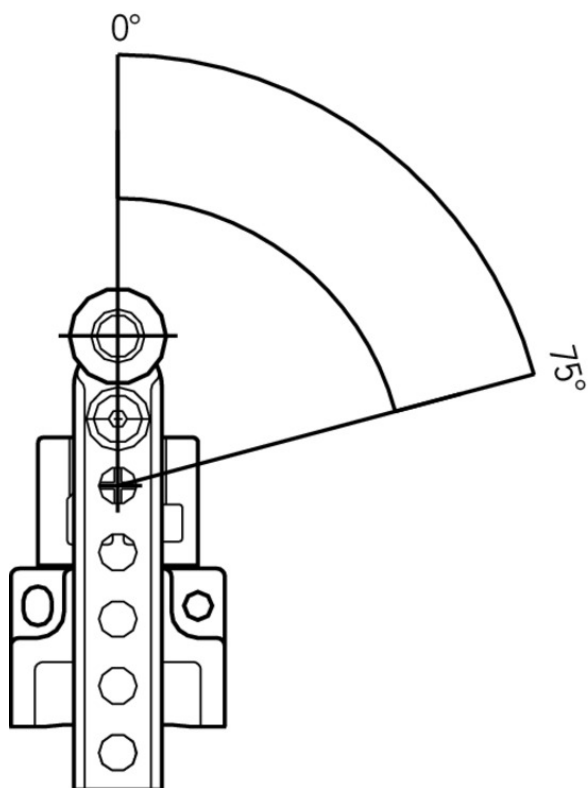
Dimension drawing



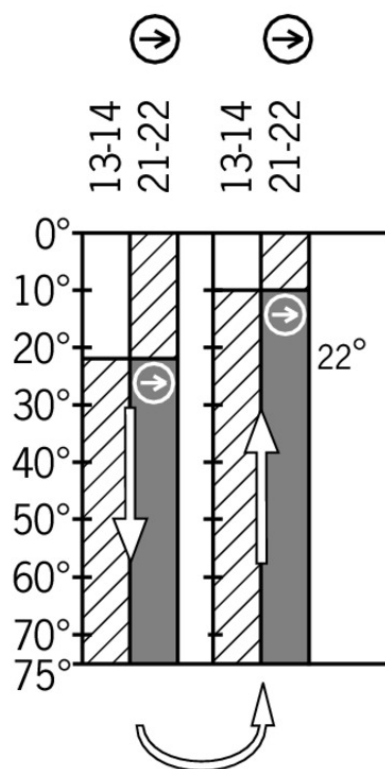


Travel diagram




NZ...PS
NZ...PB



511



Legende

-  Contacts closed
-  Contacts open
-  Contacts positively driven

Function expansion

- LED function display NZ



029220 NGL060RT

Connection material

- Cable glands M20x1.5



077684 EKVM20/09



077683 EKVM20/06

Instructions

▼ Betriebsanleitung Sicherheitsschalter NZ.H/P

| | Doc. no. | Version | Language | Download |
|------------------------------------------------------------------------------------------------------------------------------------------------------------------------------------------------------------------------------------------------------------------|----------|----------|------------------|----------|
| Betriebsanleitung Sicherheitsschalter NZ.H/P Manual de instrucciones Interruptores de seguridad NZ.H/P Mode d'emploi Interrupteur de sécurité NZ.H/P Istruzioni di impiego Finecorsa di sicurezza NZ.H/P Operating Instructions Safety Switch NZ.H/P | 074550 | 11-12/16 | | 2.1 MB |
| Instrukcja obsługi Wyłącznik bezpieczeństwa NZ.H/P | 074550 | 11-12/16 | | 0.5 MB |
| Инструкция по эксплуатации Предохранительный выключатель NZ.H/P | 074550 | 11-12/16 | | 0.6 MB |
| Návod na prevádzku Bezpečnostný spínač NZ.H/P | 074550 | 11-12/16 | | 0.5 MB |

Catalogs












▼ Sicherheitsschalter mit Metallgehäuse Safety Switches with Metal Housing Bezpečnostní spínače s kovovým pouzdem Interrupteurs de sécurité avec boîtier métallique 金属壳体 的安全开关 Interruptores de seguridad con carcasa metálica

| | Doc. no. | Version | Language | Download |
|---------------------------------------------------|----------|----------|----------|----------|
| Sicherheitsschalter mit Metallgehäuse | 100319 | 11-03/18 | | 7.9 MB |
| Interrupteurs de sécurité avec boîtier métallique | 100676 | 11-03/18 | | 7.9 MB |
| Interruptores de seguridad con carcasa metálica | 104856 | 11-03/18 | | 14.0 MB |
| Safety Switches with Metal Housing | 100369 | 11-03/18 | | 7.9 MB |
| Bezpečnostní spínače s kovovým pouzdem | 121650 | 11-03/18 | | 7.9 MB |
| 金属壳体 的安全开关 | 102453 | 11-03/18 | | 8.2 MB |

Declaration of conformity

▼ EU prohlášení o shodě

| | Doc. no. | Version | Language | Download |
|----------------------------------------------------------------------------------------------------------------------------------------------------------|----------|----------|------------------|----------|
| EU-Konformitätserklärung Declaración UE de conformidad Déclaration UE de conformité Dichiarazione di conformità EU declaration of conformity | 2077153 | 25-02/17 | | 0.3 MB |

| | | | | |
|---------------------------------|---------|----------|-------------------------------------------------------------------------------------|-------------------------------------------------------------------------------------------|
| EU prohlášení o shodě | 2077153 | 25-02/17 |  |  0.5 MB |
| EU-overensstemmelseserklæring | | |  | |
| Δήλωση συμμόρφωσης της ΕΕ | | |  | |
| EU-vaatimustenmukaisuusvakuutus | | |  | |
| EU-típusbizonyítvány | | |  | |
| EU-conformiteitsverklaring | | |  | |
| Deklaracja zgodności UE | | |  | |
| Declaração de Conformidade UE | | |  | |
| Declarația de conformitate UE | | |  | |
| EÚ vyhlásenie o zhode | | |  | |