

ITEM 110451 RPS3131SC175SFM5

Description	Technical data	Accessories	Downloads
-------------	----------------	-------------	-----------



Features

- › Plastic housing
- › Emergency stop device with detent mechanism according to EN ISO 13850 and EN 60204-1
- › Clamping head for pull rope
- › Indication of correct rope tension
- › Plug connector M12, 5-pin
- › Switching elements with 2 switching contacts
- › Emergency stop

Switching element

3131 Slow-action switching contact 2 NC ↻

Approvals



Mechanical values and environment

Housing material	Reinforced thermoplastic
Weight	
Net	0,8 kg
Ambient temperature	-25 ... 70 °C
Degree of protection	IP67
Mechanical life	0,1 x 10 ⁶
Switching principle	Slow-action switching contact
Rope diameter	2 ... 5 mm
Installation position	Any
Number of positively driven contacts	2
Connection	Plug connector M12 [1]
Actuating force	175 N

Electrical connection ratings

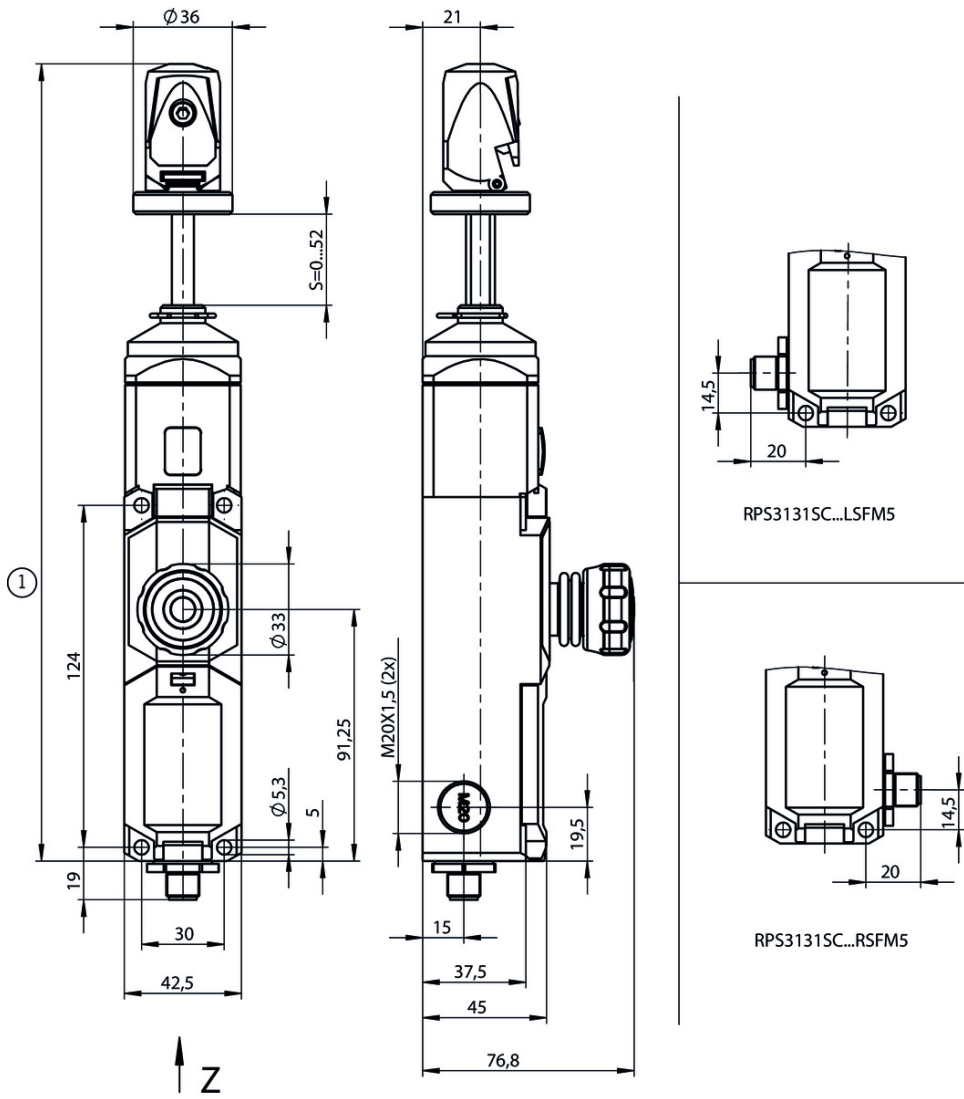
Rated thermal current I _{th}	4 A
Utilization category according to EN 60947-5-1	
AC-15	3A 50V
Short circuit protection according to IEC 60269-1	
(Fuse)	4A gG
Rated insulation voltage U _i	50 V
Rated impulse withstand voltage U _{imp}	1,5 kV
Switching current	
at 24V	min.10 mA

Miscellaneous

Additional feature	Emergency stop function
--------------------	-------------------------

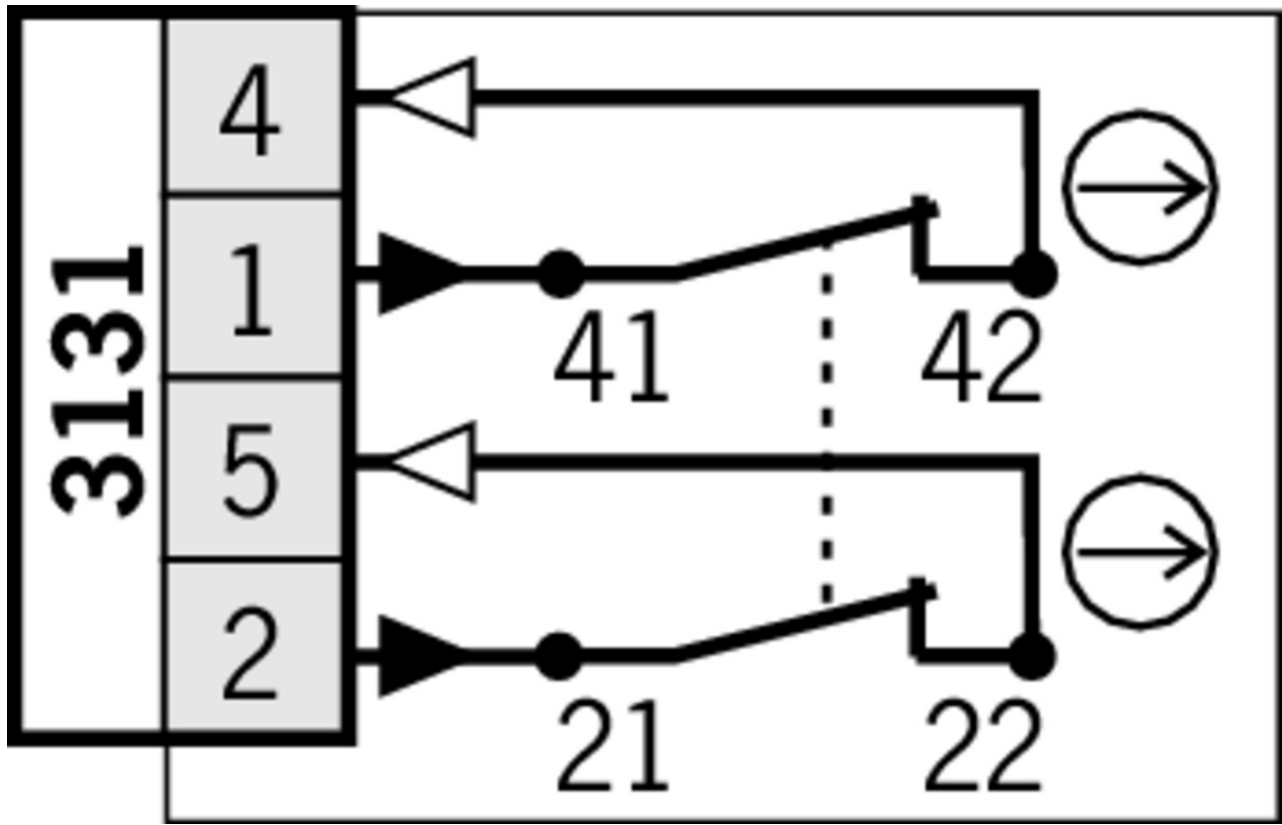
[1] 5-pin (without PE) - bottom

Dimension drawing

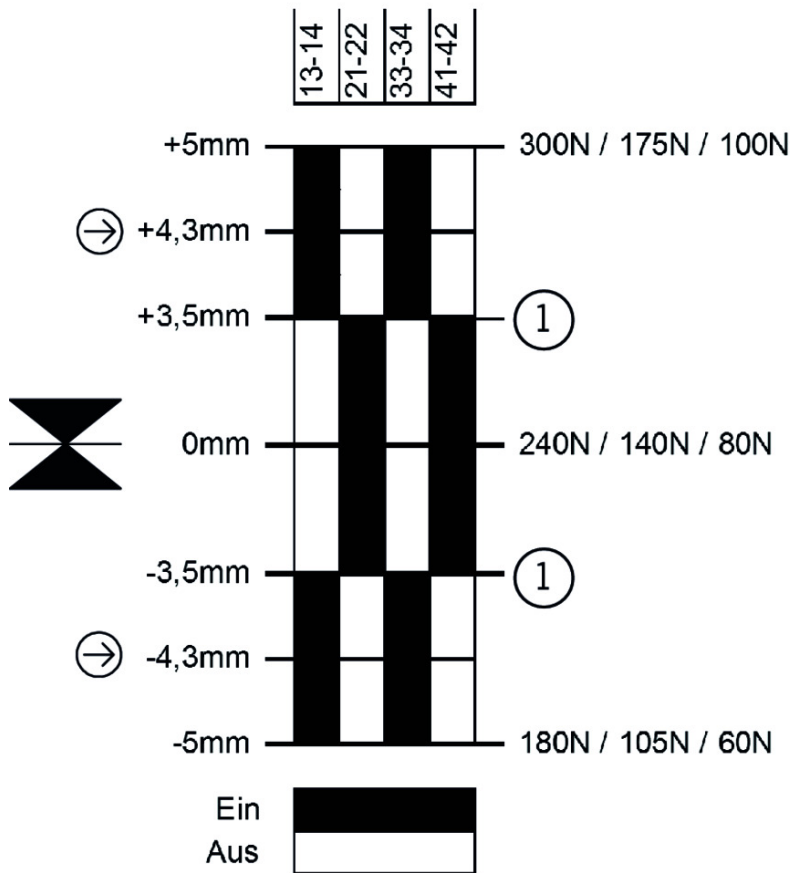


Legende

1 265...317 (adjustable via S)



Travel diagram



Legende

- 1 Detent mechanism
Switching-point tolerance ± 0.5 mm

Mounting accessories

- ✓ Pulley set RPS-P/V1 for rope pull switches



096251 RPS-P-7-70

- ✓ Features
 - › Pulley \varnothing 14mm

- ✓ Eyebolt for rope pull switches

092495 RPS-O-8-50/V5

- ✓ Features

› Eyebolt with thread M8

▼ Tensioning rope for rope pull switches



092813 RPS-I-3-4/50M

▼ Features

› Tensioning rope with 50m length



092814 RPS-I-3-4/100M

▼ Features

› Tensioning rope with 100m length

▼ Turnbuckle for rope pull switches

092498 RPS-B-6-60/V5

▼ Features

› Turnbuckle M6 x 60

092500 RPS-B-6-110

▼ Features

› Turnbuckle M6 x 100

▼ Rope set for rope pull switches

092496 RPS-RS/V5

▼ Features

› Rope set consisting of thimble and rope clamp

▼ Pulley set RPS-PS/V5 for rope pull switches



092501 RPS-PS/V5

▼ Features

› Pulley set consisting of rope pulley block and pulley support

▼ Tensioner spring for rope pull switches



092136 RPS-W-100/175

▼ Features

› Tensioner spring for tensile force 110 N / 175 N

Function expansion

▼ Built-in LED



087423 EINBAULEUCHTE LED M20X1,5



095510 EINBAULEUCHTE LED-F M20X1,5

Connection material

- Connection cable with straight plug connector M12, 5-pin, 5m



100183 C-M12F05-05X034PV05,0-MA-100183

Features

- > M12 female plug, 5-pin
 - > Straight plug connector
 - > PVC cable
 - > Cable length 5 m
 - > With flying lead
-

- Connection cable with plug connector M12, 5-pin, 10m



100184 C-M12F05-05X034PV10,0-MA-100184

Features

- > M12 female plug, 5-pin
 - > Straight plug connector
 - > PVC cable
 - > Cable length 10 m
 - > With flying lead
-

- Connection cable with plug connector M12, 5-pin, 20m



100185 C-M12F05-05X034PV20,0-MA-100185

Features

- > M12 female plug, 5-pin
 - > Straight plug connector
 - > PVC cable
 - > Cable length 20 m
 - > With flying lead
-

- Connection cable with 2 plug connectors M12, 5-pin, 5m



100180 C-M12F05-05X034PV05,0-M12M05-100180

Features

- > M12 female plug to M12 plug connector, 5-pin
 - > Straight female plug and plug connector
 - > PVC cable
 - > Cable length 5 m
-

- Connection cable with 2 plug connectors M12, 5-pin, 10m



100181 C-M12F05-05X034PV10,0-M12M05-100181

Features

- > M12 female plug to M12 plug connector, 5-pin
- > Straight female plug and plug connector
- > PVC cable

› Cable length 10 m

▼ Connection cable with 2 plug connectors M12, 5-pin, 20m



100182 C-M12F05-05X034PV20,0-M12M05-100182

▼ Features

- › M12 female plug to M12 plug connector, 5-pin
- › Straight female plug and plug connector
- › PVC cable
- › Cable length 20 m

Instructions

▼ Betriebsanleitung Seilzugschalter RPS...

	Doc. no.	Version	Language	Download
Betriebsanleitung Seilzugschalter RPS...	2090276	08-01/18		2.7 MB
Operating Instructions for Rope Pull Switches RPS...	2090276	08-01/18		2.7 MB

Declaration of conformity

▼ EU-Konformitätserklärung

	Doc. no.	Version	Language	Download
EU-Konformitätserklärung	2091952	03-04/17		0.2 MB
Declaración UE de conformidad				
Déclaration UE de conformité				
Dichiarazione di conformità				
EU declaration of conformity				